

TMC-00029
STANDARD SEAT AND COVER
INCLUDE PARTS TT9923,2,3
ORDER NO. 504-0299029

TMC-00041
DELUXE PLASTIC SEAT AND COVER
INCLUDE PARTS TT9924,2-1,3-1
ORDER NO. 504-0299041

TMC-TT9923
HINGE SET FOR STANDARD SEAT
ORDER NO. 504-0299023

TMC-TT9924
HINGE SET FOR DELUXE SEAT
ORDER NO. 504-0299024

TMC-00036
PUMP UNIT FOR ELECTRIC TOILET
INCLUDE PARTS
ET3627,19,39,20,18,35,16,29,27,31
ORDER NO.
504-0299036 12V
504-0299037 24V

TMC-ET3626
PUMP RAZOR KITS
FOR ELECTRIC TOILET
ORDER NO. 504-0299026

TMC-ET3627
PUMP GASKET KITS
FOR ELECTRIC TOILET
ORDER NO. 504-0299027

TMC-ET3628
PUMP BODY KITS
FOR ELECTRIC TOILET
INCLUDE PARTS ET3634,21,27
ORDER NO. 504-0299028

TMC-ET3634
PUMP IMPELLER KITS
FOR ELECTRIC TOILET
ORDER NO. 504-0299034

TMC-ET9920
PIPE JOINTS FOR
ELECTRIC TOILET
ORDER NO. 504-0299020

TMC-00038
BASE UNIT FOR ELECTRIC TOILET
INCLUDE PARTS ET3825,22
ORDER NO. 504-0299038

TMC-ET3825
BASE PORT KITS
FOR ELECTRIC TOILET
ORDER NO. 504-0299025

TMC-ET3822
BASE GASKET KITS
FOR ELECTRIC TOILET
ORDER NO.
504-0299022

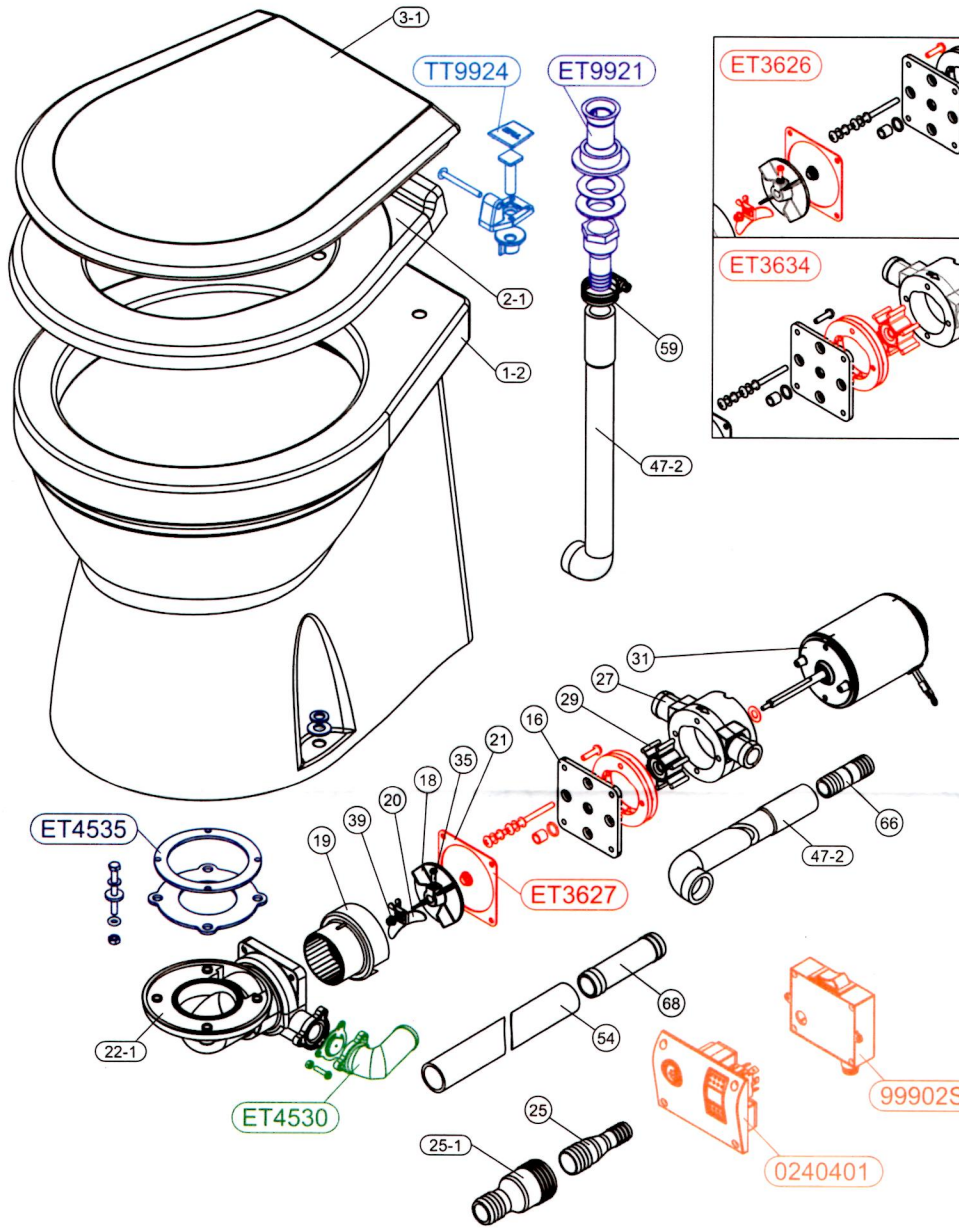
TMC-99902S
STANDARD SWITCH BOX ASSEMBLY
FOR ELECTRIC TOILET
ORDER NO.
302-0020100 12V
302-0020200 24V

TMC-0240401
DELUXE PANEL SWITCH WITH FUSE
PACKAGE. OPTIONAL ORDER FOR
ELECTRIC TOILET
ORDER NO.
502-2404011 12V
502-2404012 24V

KEY	DESCRIPTION
1	Closestool Body(99902)
2	Seat Cushion(99902)
3	Closestool Cover(99902)
1-1	Closestool Body(99904)
2-1	Seat Cushion(99904)
3-1	Closestool Cover(99904)
16	Wearplate
18	Centrifugal Impeller
19	Macerator Housing
20	Razor Blade
22	Base

KEY	DESCRIPTION
25	Adaptor
25-1	Adaptor
27	Body
29	Flexible Impeller
31	Motor
35	Set Screw
39	Hexagon Nut
47	Hose(99902)
47-1	Hose(99904)
55	Cover
59	Clamp

•TMC TOILET SERVICE PARTS ARE SOLD BY PACKAGE.
•INDIVIDUAL PART LIST IS FOR REFERENCE ONLY.



TMC-00041
DELUXE PLASTIC SEAT AND COVER
INCLUDE PARTS TT9924,2-1,3-1
ORDER NO. 504-0299041

TMC-TT9924
HINGE SET FOR DELUXE SEAT
ORDER NO. 504-0299024

TMC-00036
PUMP UNIT FOR ELECTRIC TOILET
INCLUDE PARTS
ET3627,19,39,20,18,35,16,29,27,31
ORDER NO.
504-0299036 12V
504-0299037 24V

TMC-ET3626
PUMP RAZOR KTIS
FOR ELECTRIC TOILET
ORDER NO. 504-0299026

TMC-ET3627
PUMP GASKET KITS
FOR ELECTRIC TOILET
ORDER NO. 504-0299027

TMC-ET3628
PUMP BODY KITS
FOR ELECTRIC TOILET
INCLUDE PARTS ET3634,21,27
ORDER NO. 504-0299028

TMC-ET3634
PUMP IMPELLER KITS
FOR ELECTRIC TOILET
ORDER NO. 504-0299034

TMC-ET9921
PIPE JOINTS FOR
ELECTRIC TOILET
ORDER NO. 504-0299021

TMC-00045
BASE UNIT FOR ELECTRIC TOILET
INCLUDE PARTS ET4530,22-1
ORDER NO. 504-0299045

TMC-ET4530
BASE PORT KITS
FOR ELECTRIC TOILET
ORDER NO. 504-0299030

TMC-ET4535
BASE GASKET KITS
FOR ELECTRIC TOILET
ORDER NO.
504-0299035

TMC-00046
CONVERSION KITS FOR
ELECTRIC TOILET
(W/O #1-2,2-1,3-1,TT9924)
ORDER NO.
504-0299461 12V
504-0299462 24V

TMC-99902S
STANDARD SWITCH BOX ASSEMBLY
FOR ELECTRIC TOILET
ORDER NO.
302-0020100 12V
302-0020200 24V

TMC-0240401
DELUXE PANEL SWITCH WITH FUSE
PACKAGE. OPTIONAL ORDER FOR
ELECTRIC TOILET
ORDER NO.
502-2404011 12V
502-2404012 24V

KEY	DESCRIPTION
1-2	Closestool Body
2-1	Seat Cushion
3-1	Closestool Cover
16	Wearplate
18	Centrifugal Impeller
19	Macerator Housing
20	Razor Blade
22-1	Base
25	Adaptor
25-1	Adaptor

KEY	DESCRIPTION
27	Body
29	Flexible Impeller
31	Motor
35	Set Screw
39	Hexagon Nut
47-2	Hose
54	Hose
59	Clamp
66	Inner Pipe Joint
68	Adaptor

- TMC TOILET SERVICE PARTS ARE SOLD BY PACKAGE.
- INDIVIDUAL PART LIST IS FOR REFERENCE ONLY.

