



# HOW TO: TOOL BOX HANDLE REPLACEMENT

## TOOLS NEEDED:

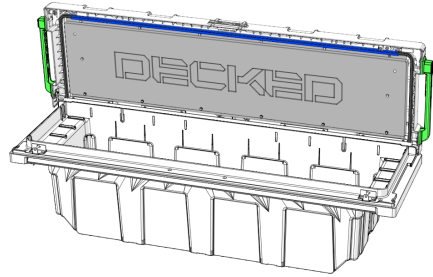
- TORX 30 DRIVER
- SCREWDRIVER

## STEP 1:

Find a friend to help you remove the Tool Box from the truck bed. Set it on a flat surface.

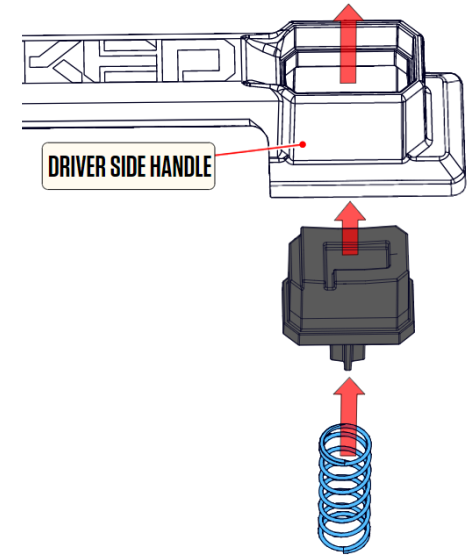
## STEP 2:

Start with the driver's side. Open the lid and remove the top two Torx 30 screws (green) which hold the handle to the lid (DETAIL A). The cabside screws also secure a torsion bar and plate - use caution when removing these screws (DETAIL B).



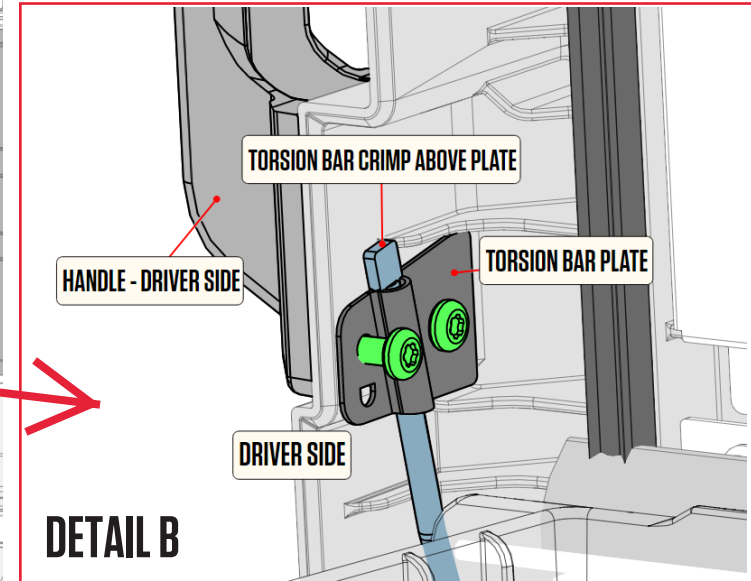
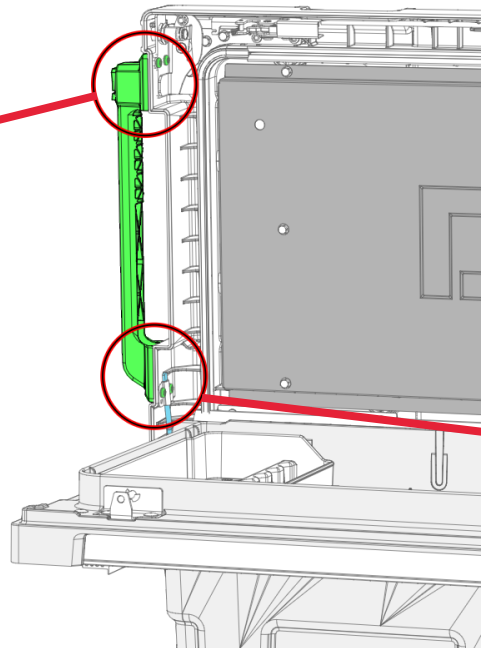
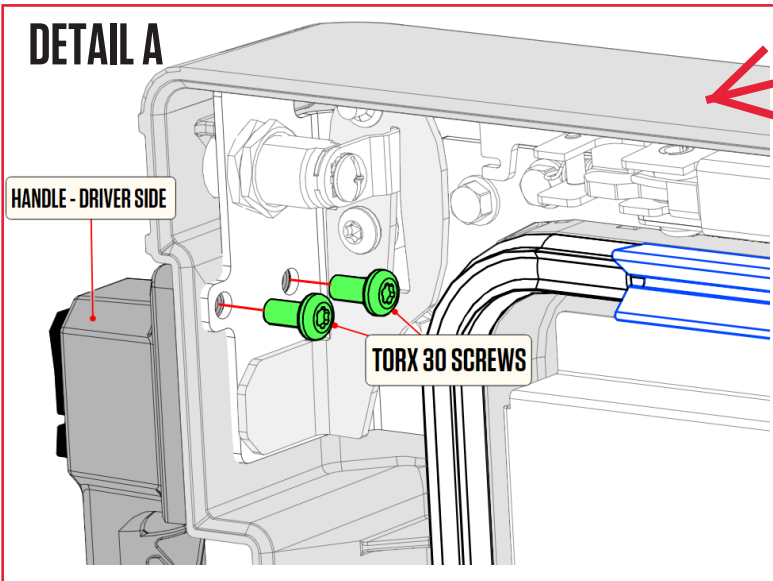
## STEP 3:

Remove the spring and plunger from the handle and install in new driver's side handle. Make sure to orient the plunger correctly.



## STEP 4:

Align the new handle to the Tool Box lid. Use the new screws provided and install the top two Torx 30 screws first - DETAIL A (tailgate side of lid when closed). Verify that the plunger slides in the handle cavity when pushed.



THESE MIGHT BE USEFUL: Watch installation videos at [www.DECKED.com/video](http://www.DECKED.com/video)

## TOOL BOX HANDLE REPLACEMENT, con't

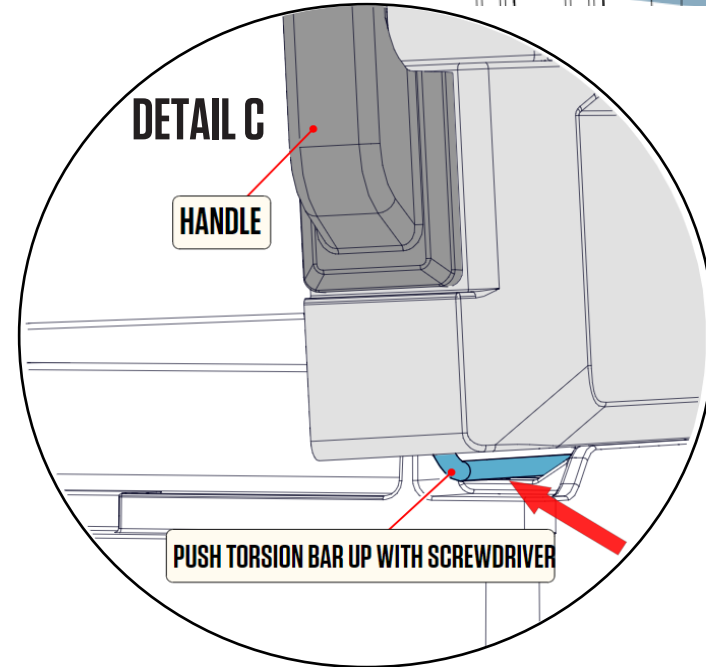
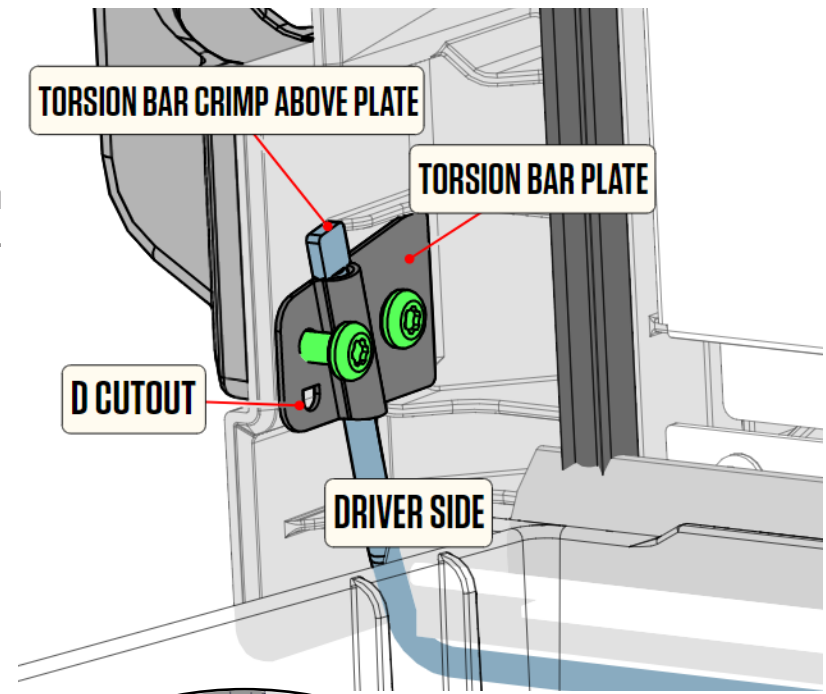
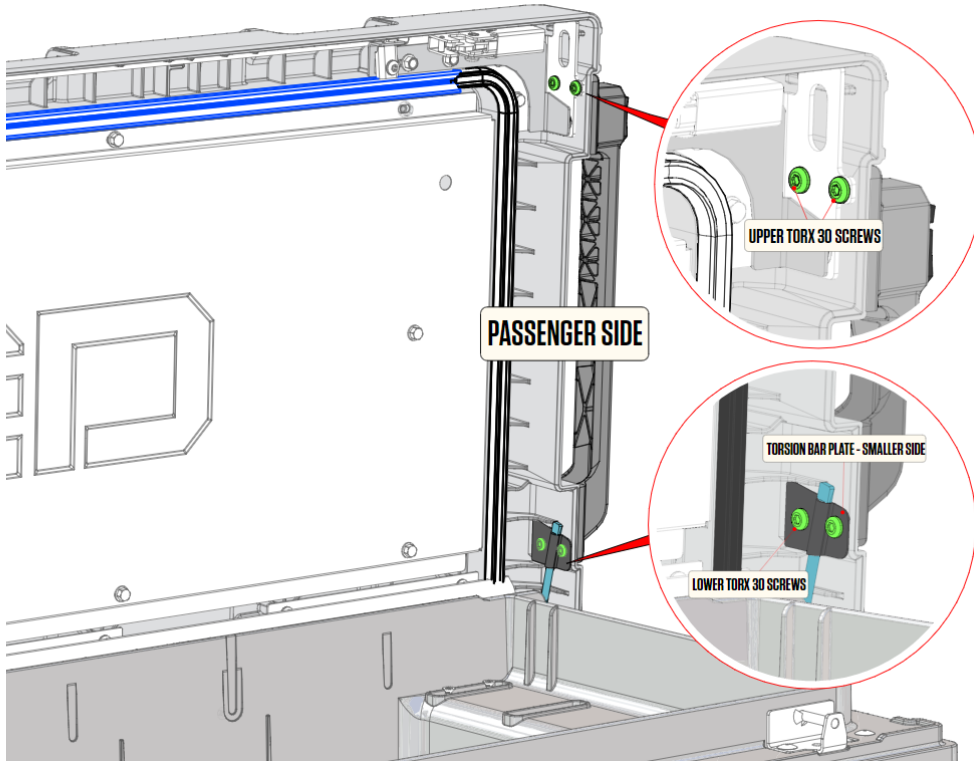
### STEP 5:

To install the bottom screws (cabside of lid when closed), pull the torsion bar toward you. While holding the torsion bar in place, position the torsion bar plate as shown. Note the position of the 'D' cutout on smaller side of the driver side plate. (Passenger side plate does not have a 'D' cutout). Install the back screw until it grabs the handle. Leave loose for now.

The crimped end of the torsion bar must reside above the plate; push the torsion bar up from the bottom if needed. You can use a slotted screwdriver between the Tool Box tub and torsion bar to leverage and rotate the torsion bar and plate into place over the mounting hole. See DETAIL C.

**STEP 6:** Holding the torsion bar plate in place over the other hole, install the other screw. Tighten both screws until snug.

**STEP 7:** Repeat this process for the passenger side handle. Note that there is no 'D' cutout on the passenger side torsion bar plate. The smaller side of the plate must be facing towards the open part of the lid.



THESE MIGHT BE USEFUL: Watch installation videos at [www.DECKED.com/video](http://www.DECKED.com/video) or scan here:

