



TUNDRA with utility tracks TOOL BOX INSTALLATION

TOOLS NEEDED:

- 3/8" socket
- Ratchet

STEP 1:

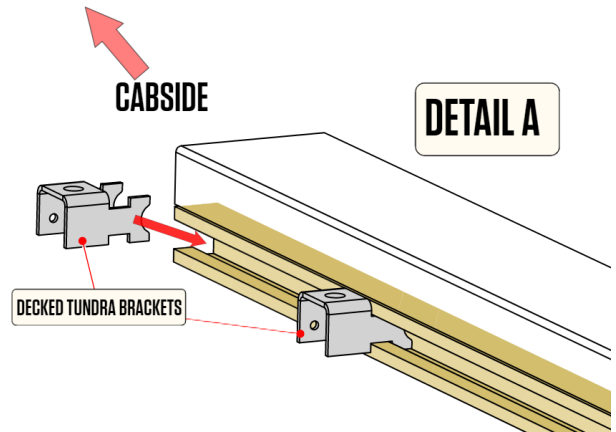
Four DECKED Tundra brackets (two on each side) must be installed into the utility tracks in order to anchor the Tool Box to your bed.

Remove both cabside utility track caps. These will be reinstalled later. Loosen and move any tie down clamps to the tailgate side of the tracks.

NOTE: Cabside bulkhead utility tracks must be free from any accessories.

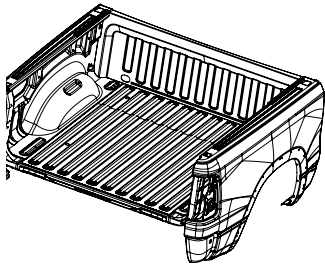
Slide two DECKED Tundra Tool Box brackets into the passenger side track, oriented as shown (DETAIL A). Position the cabside bracket 7" away from the cabside bulkhead - you can fine-tune later.

Position the tailgate side clamp 19" away from the cabside bulkhead - yup, you can move it later if you need to. Repeat on the driver's side.

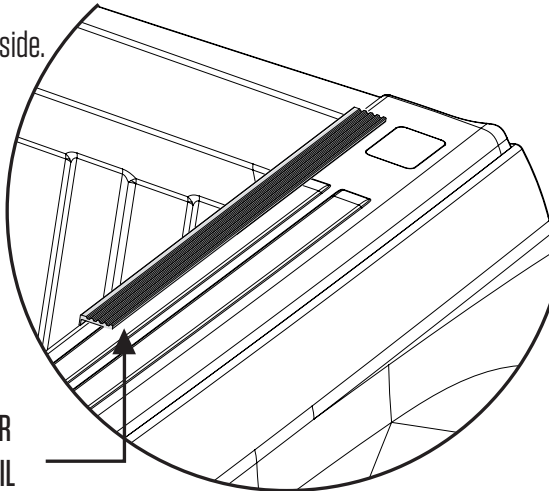


STEP 2:

Place rubber pads on bed rails. (1) per side.

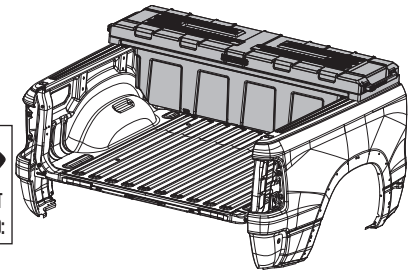


PLACE RUBBER PAD OVER
INSIDE LEDGE OF BED RAIL



STEP 3:

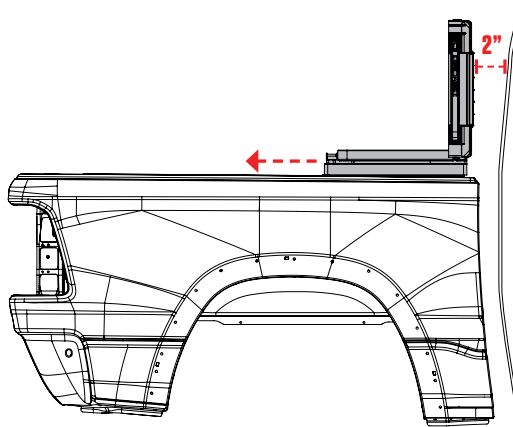
Unless you've experienced radiation exposure (allowing you to mutate into The Hulk) grab a friend to help you lift the Tool Box into place on top of the rubber pads. Center the Tool Box L-R between the bed rails and align square to the bed on both sides.



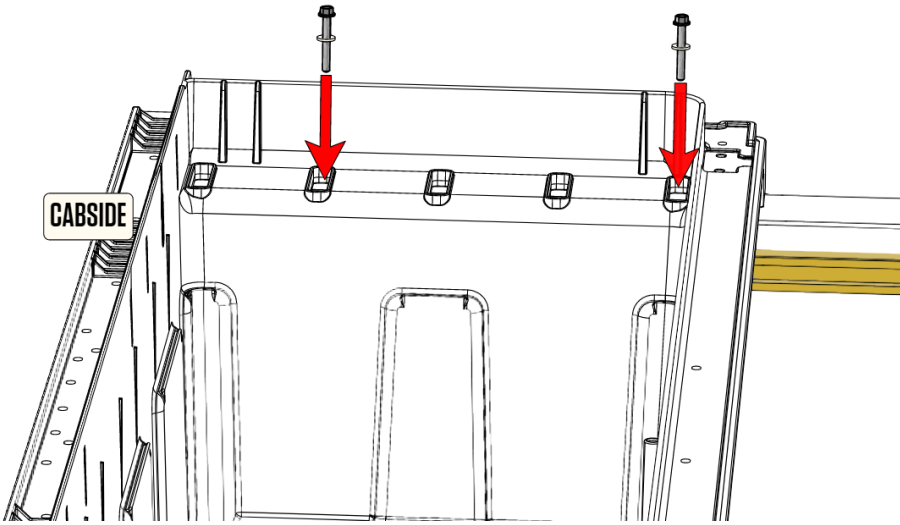
STEP 4:

Make sure there is adequate distance (at least 2") between the Tool Box lid and any cab mounted cameras, lights or other important bits.

Use 2" cardboard spacer provided in your hardware kit to confirm clearance. Fold spacer 90 degrees at perforation, remove adhesive backing and stick to the center of the Tool Box lid. Open lid and shift the Tool Box toward the tailgate as needed to ensure correct positioning.



WARNING
PROTECT YOUR TECH!
KEEP AT LEAST A
DISTANCE OF 2"
BETWEEN TOOL BOX
LID AND BACKUP
CAMERA/LIGHTS



STEP 5:

Align the DECKED Tundra brackets under the install locations; one will be located in the second slot from the cabside bulkhead. One will be in the slot closest to the tailgate.

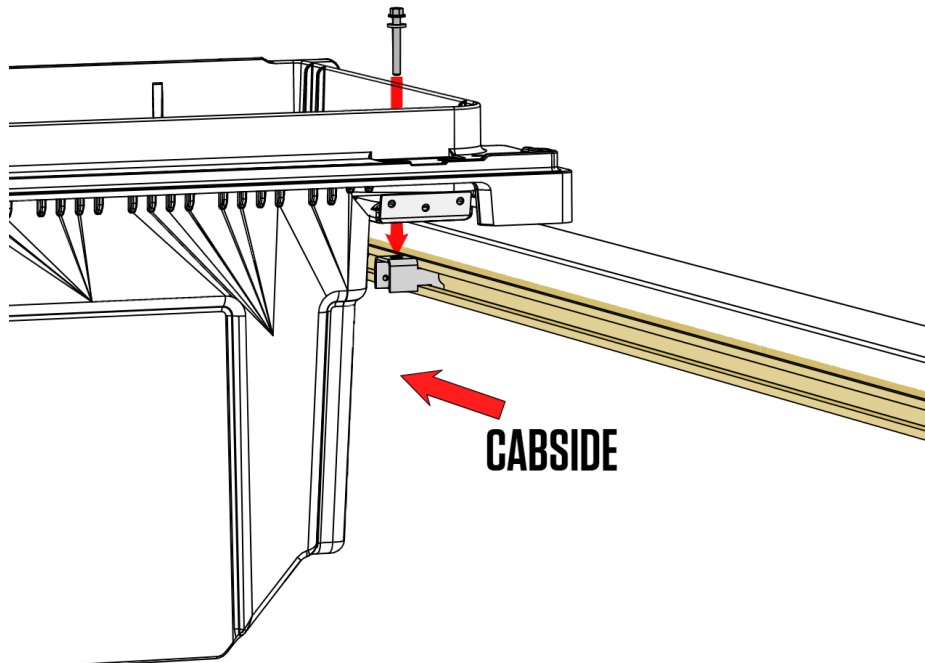
STEP 6:

Install a washer onto all four mounting bolts.

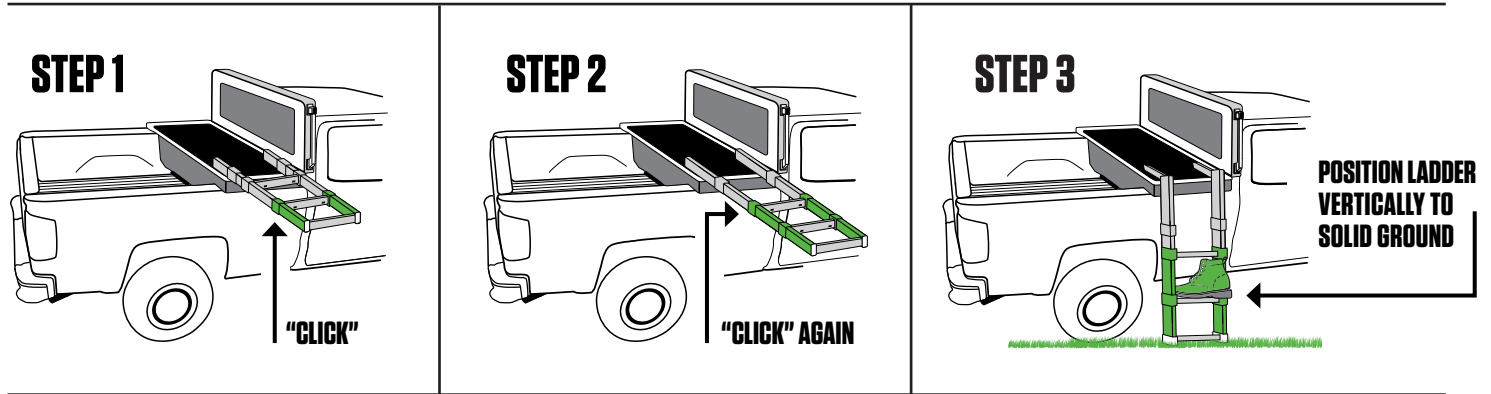
Install a mounting bolt and washer through the Tool Box slot and into the DECKED Tundra brackets. Place and start threading all four bolts with your fingers before tightening.

Tighten all four bolts.

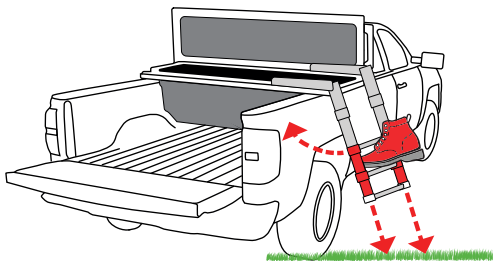
Test tightness by closing Tool Box lid and pulling on the handles, L-R and front to back.



USING THE LADDER:



▼ WARNING DON'T DO THIS ▼



PLACE LADDER ON SOLID GROUND WITH BOTH RUNGS LOCKED INTO PLACE (LADDER STEPS 1-3). FAILURE TO DO THIS COULD ALLOW LADDER TO SWING INTO TRUCK AND CAUSE DAMAGE TO THE VEHICLE



SCAN ME

WATCH LADDER INSTRUCTIONAL VIDEOS:
DECKED.COM/LADDER

DECKED LIMITED LIFETIME WARRANTY:

DECKED LLC warrants to the original purchaser of this product that the product will be free from defects in material and workmanship from the date of purchase and continuing for the expected lifetime of the DECKED product. The DECKED Product must be registered by the original purchaser with DECKED, LLC via its website at DECKED.COM/REGISTER, and a copy of the original sales receipt must be supplied to the Manufacturer at the time a warranty claim is made. The warranty terminates if the original purchaser transfers the DECKED product to any other person or vehicle. The original purchaser must contact the DECKED LLC customer service team and provide a description of the defective part, including digital pictures if requested, with the original purchase documentation as validation of warranty coverage or have previously activated their warranty online.

This warranty DOES NOT cover or apply to:

- Damage to the product due to misuse, mishandling and abuse.
- Products not used in accordance with the manufacturer's instructions or recommendations.
- Product not assembled or installed according to manufacturer's instructions.
- Normal wear and tear.
- Undeclared damage to the system during shipping, acts of God. In addition, consequential damage and incidental damages (including lost time) such as damage to persons or property are not covered under this warranty.

More information: DECKED.COM/WARRANTY



SCAN ME

REGISTER YOUR DECKED GEAR:
DECKED.COM/REGISTER

WARNING:

Failure to read and follow instructions for DECKED Tool Box installation and ladder usage may result in personal injury, or cause damage to the vehicle. Please read our comprehensive DECKED Tool Box warning in detail: DECKED.COM/LADDER Further, the state of California has determined that eating this product is not good for you and could result in death or worse.

