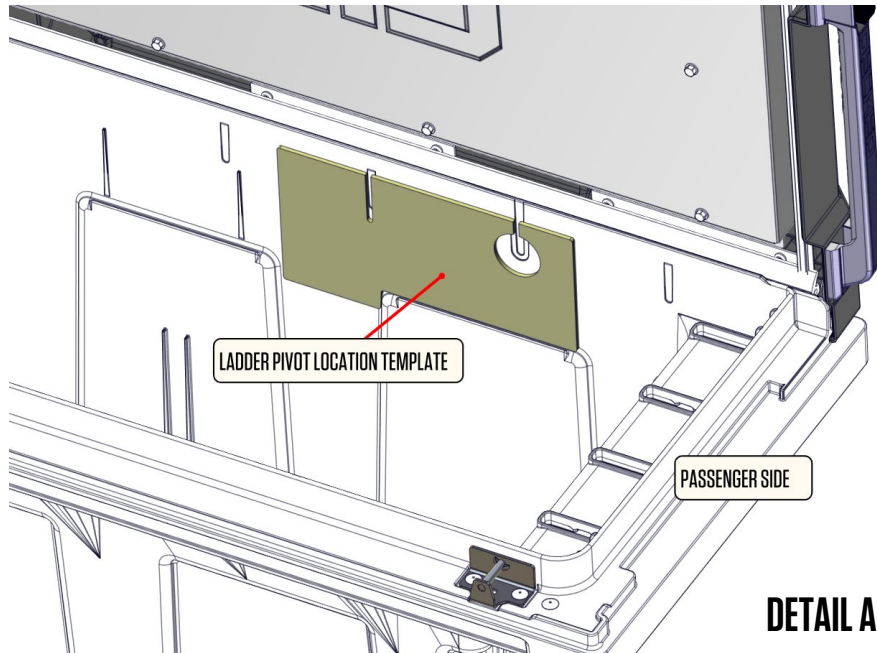
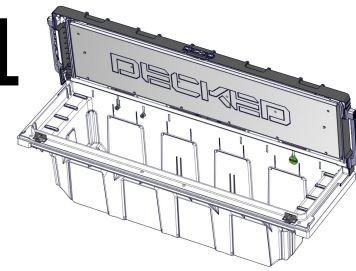


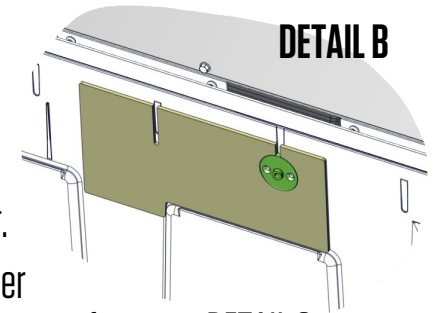
TOOL BOX LADDER BRACKET INSTALL

skip to the next page if your ladder brackets are already installed

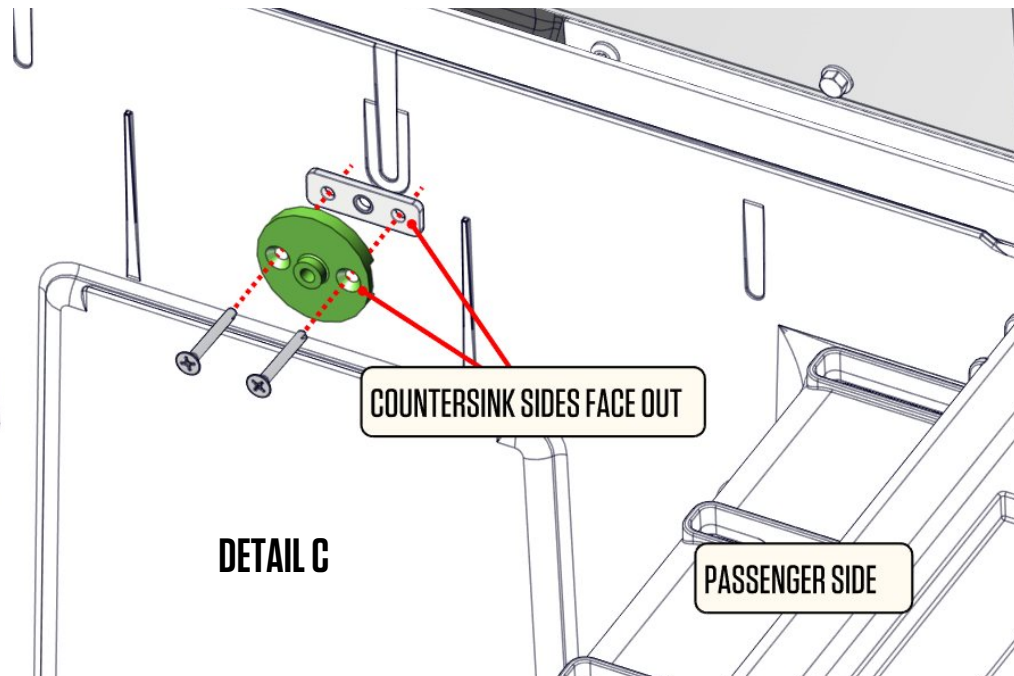
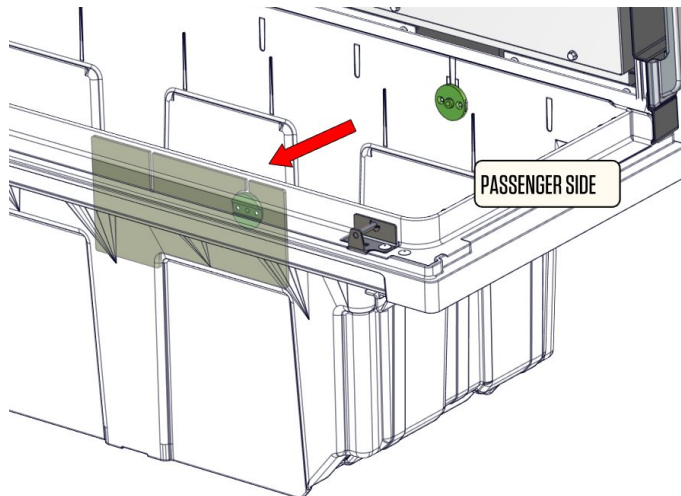


DETAIL A

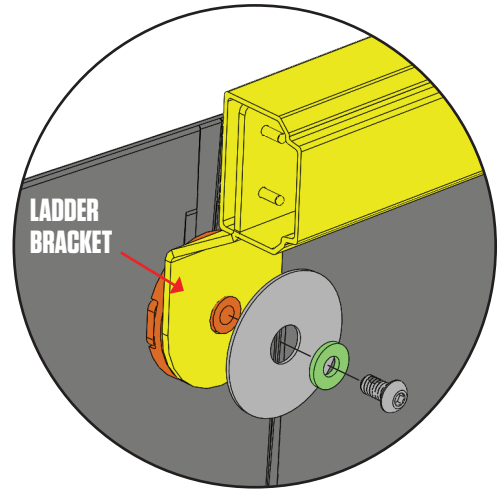
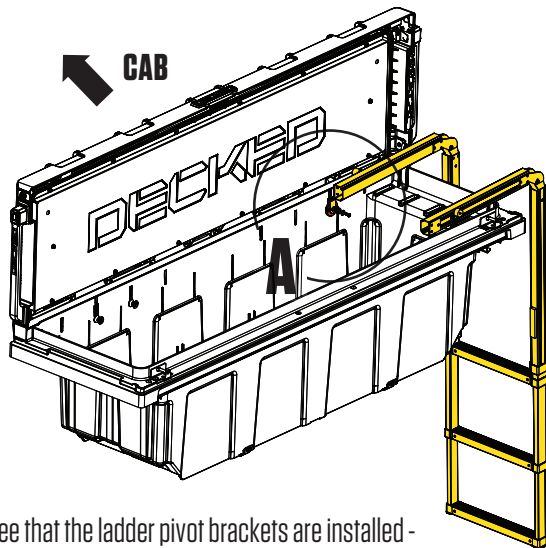
- Align and adhere the ladder pivot location template on the passenger cabside of tub as shown. DETAIL A.
- Place ladder pivot bracket in hole on template, ensuring the holes are horizontal and level. DETAIL B.
- Using the left and right holes on the pivot bracket as a guide, carefully drill a 5/32" hole through the tub and the aluminum spacer. Do not drill through the middle hole of the bracket.
- Place the backer plate on the back side of the ladder pivot bracket. The countersunk holes on both parts must face out. DETAIL C.



- Use a #3 drill bit to install two screws through the front of the ladder pivot bracket and backer plate into the Tool Box tub and aluminum spacer.
- Flip and transfer the template to the passenger TAILGATE side of the Tool Box tub and repeat the procedure for the opposing ladder pivot bracket.
- Install the ladder per the instructions on the other side of this page.



DETAIL C



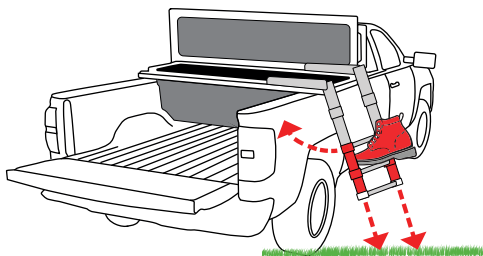
DETAIL A

- Check to see that the ladder pivot brackets are installed - (orange in Detail A). If not, see previous page.
- Rest the folded ladder on a table or hard surface so that you can read the instructions on the bottom of the first rung.
- While holding the top rung, pull the bottom rung from the ladder assembly until both the bottom and middle rungs lock in place.
- Set the ladder on the ground vertically next to the passenger side of your Tool Box.
- Raise both arms and extend them up and over the edge of the Tool Box to meet with the mounting discs. **NOTE: The ladder brackets must be facing down.**
- Using a 5/32" hex wrench, install the hardware in the order shown, DETAIL A. Repeat on opposite side. Tighten until snug - **DO NOT OVERTIGHTEN.**
- Return the ladder to the Tool Box by collapsing the rungs and folding back into place.

USING THE LADDER:

<p>STEP 1</p> <p>"CLICK"</p>	<p>STEP 2</p> <p>"CLICK" AGAIN</p>	<p>STEP 3</p> <p>POSITION LADDER VERTICALLY TO SOLID GROUND</p>
-------------------------------------	---	--

▼ WARNING: DON'T DO THIS ▼



BE SURE TO PLACE LADDER ON SOLID GROUND WITH BOTH RUNGS LOCKED INTO PLACE (LADDER STEPS 1-3). FAILURE TO DO THIS COULD ALLOW LADDER TO SWING INTO TRUCK AND CAUSE DAMAGE TO THE VEHICLE



WATCH LADDER INSTRUCTIONAL VIDEOS:
[DECKED.COM/LADDER](https://www.decked.com/ladder)