



Installation Instructions: MT5/MT7

TOYOTA TACOMA 5'1" BED LENGTH

MT5 2005-2018 MT7 2019-CURRENT

IMPORTANT: If installing a CargoGlide on top of this drawer system, **DO NOT** install the drawer system into your truck yet - SEE INSTRUCTIONS.

TOOLS REQUIRED

- short 7/32" hex wrench
- 7/16" socket
- 3/8" socket
- electric drill
- drill stop
- 1/8" hex wrench
- 1/4" drill bit
- 5/16" drill bit
- T40 Torx driver



REGISTER YOUR SYSTEM



INSTRUCTION VIDEOS

Watch short installation videos at www.decked.com/video | Register your system at www.decked.com/warranty

FOLLOW US:      @DECKEDUSA | #DECKEDUSA

VERSION 10

DECKED.COM | 208.806.0251

RC397

CONTENTS



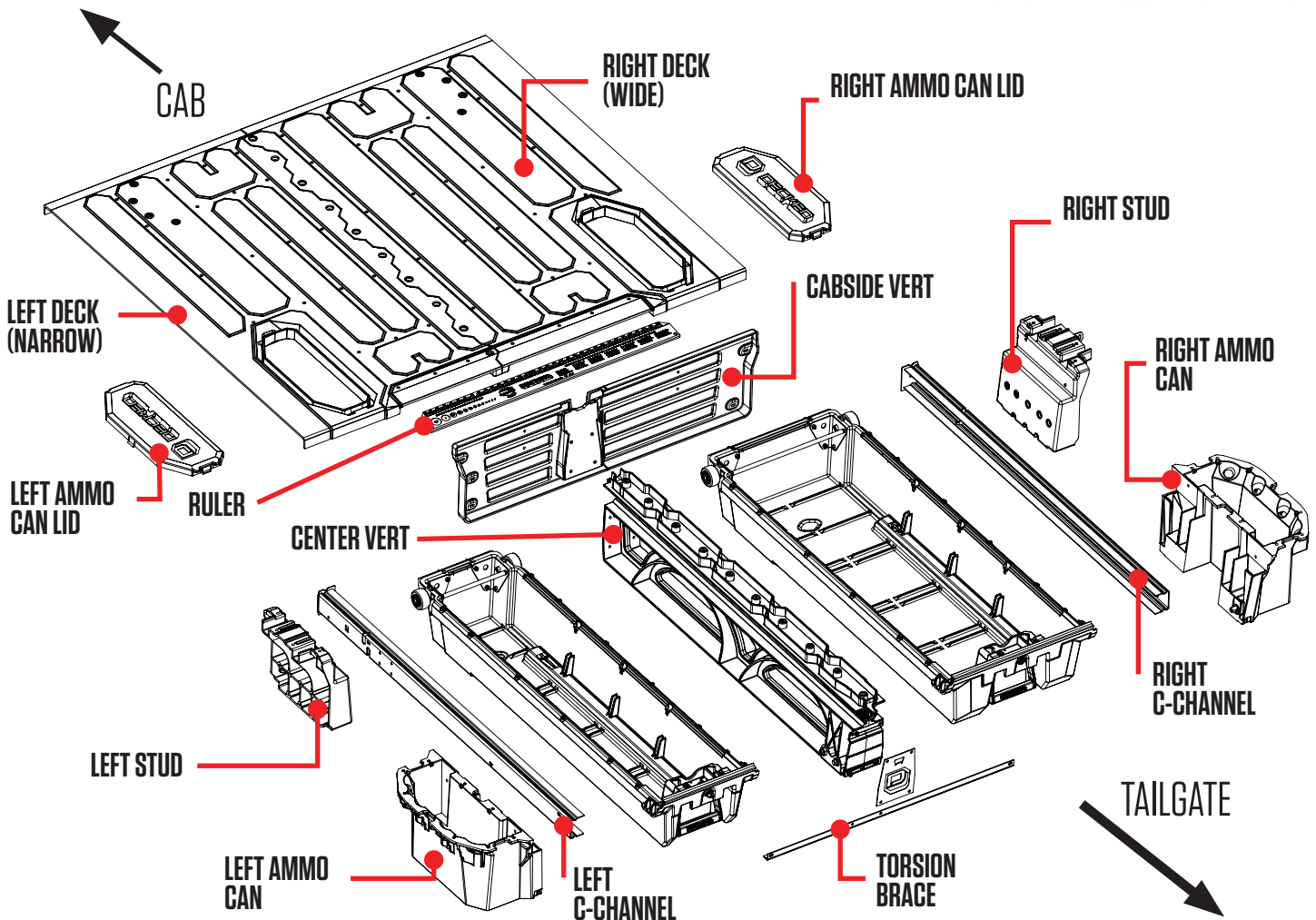
DECKED carton contents:



HARDWARE box contents:

SHIMS - 4
PREP-MT5/MT7 - 1
SS1 - 1
B2 - 1
N1 - 1
J4 - 2
DRAWER 1 - 1
DRAWER 2 - 1
WHEELS - 1
FINAL MS - 1
PREP-EXTRA - 1
WEATHERSTRIPS - 2
(MT7 ONLY) TACOMA TD - 1
BOTTLE OPENER - 1

ASSEMBLY OVERVIEW



IMPORTANT: If installing a CargoGlide along with this drawer system, DO NOT install the drawer system into your truck yet - SEE INSTRUCTIONS.

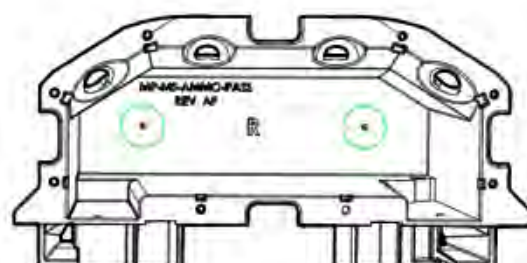
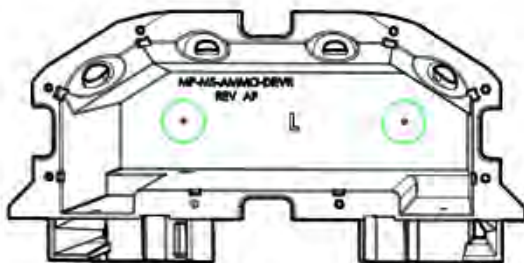
▼ HEY! TORQUE BOY: READ BEFORE YOU INSTALL THE DECKED DRAWER SYSTEM ▼

- **DON'T** go rogue on us, please read the instructions.
- Start all bolts with your fingers to avoid cross-threading - you don't want to spin out any inserts.
- **DON'T** over tighten bolts, get em' hand-tight...or you will spin out the inserts.
- **DON'T** use power tools.
- If you don't follow directions and do use power tools, please set the clutch at a very low setting.
- Over-torquing or using an impact wrench will spin out the inserts - we're warning you!
- If you blow it, you can screw the inserts back in from the opposite side with a slotted screwdriver.
- If you really blow it, we've included some repair inserts in the PREP-EXTRA bag - install with a 7/32" hex wrench. Call us if you need more.
- Torque ratings are suggestions - tighten all fasteners until snug.
- Prevent expletive-filled language, watch our detailed installation video or give us a call. We're happy to help!

AMMO CAN DRAIN HOLES

(TO DRILL OR NOT TO DRILL.)

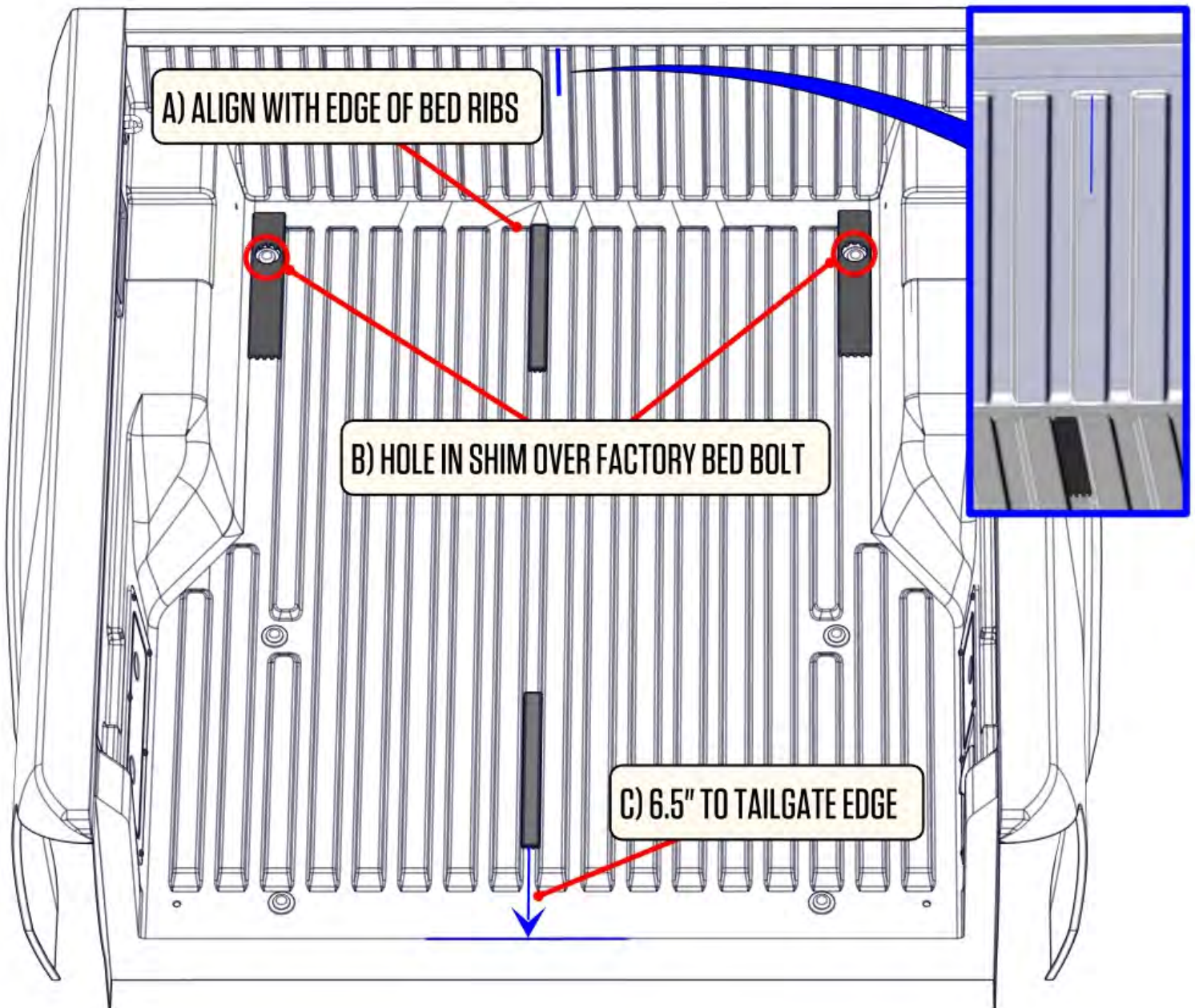
- **Do you use a tonneau or shell over your DECKED system?**
There is no need to drill holes, unless you leave your tonneau open in a deluge.
- **Does your DECKED system live outside?**
The ammo cans will get water in them. You'll need to drill holes in the ammo cans. There are two dimples in the bottom of each ammo can. Drill a 1/2" hole at each dimple. A smaller hole will get clogged. Depending on the system, we may have drilled these for you already.



PREP BED: MARK CENTER OF BED AND INSTALL SHIMS

- Use a marking pen or wax pencil to mark the center of the bed (blue) on the raised bead. **DETAIL A.**
- 2 NARROW shims and 2 WIDE shims (with holes) are loose in your hardware kit.
- Clean the bed surface where the shims will be located. Isopropyl alcohol (do not drink) is recommended.
- Remove tape film and apply shim with the strength of 1000 men, a.k.a push really hard, at the locations below:
 - A) Align one narrow shim with the cabside bed ribs, just to the left of the center bed rib.
 - B) Place the holes in the wide shims over cabside factory bed bolts.
 - C) Place one narrow shim 6.5" inbound from the tailgate edge.
- Apply firm pressure to all shims.

DETAIL A



PREP BED: TAILGATE BRACKETS

NOTE: You will need to grab a pal for this step (or have incredibly long and flexible arms).

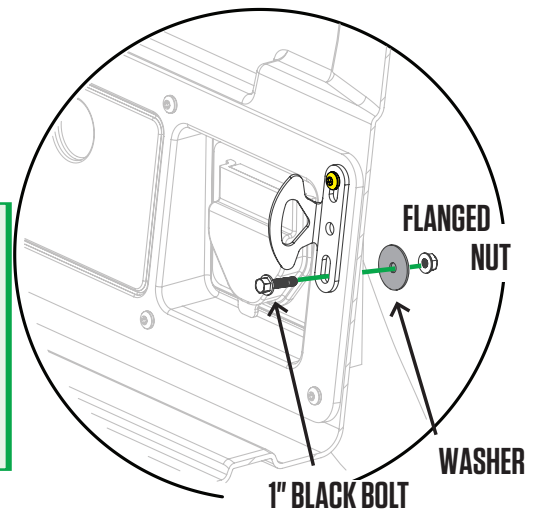
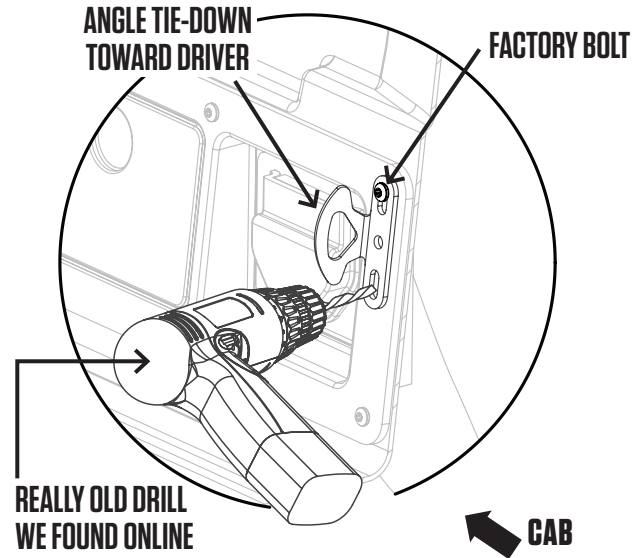
Grab your bag: **PREP MT5/MT7**

- Remove top rear factory compartment bolt from the passenger side with a T40 Torx Driver. Keep bolt.
- Loosely attach passenger side tailgate bracket with factory bolt in top hole. Make sure the tie down opening is angled toward the driver, not the tailgate.
- Align bracket so it's parallel with vertical edge of compartment. Tighten factory bolt. 53 in-lb.
- Using the bottom hole in bracket as a guide, drill a 5/16" hole with a 1/2" drill stop through compartment and bed wall.
- Install a black 1" bolt through the bracket and bed wall. Install 1" washer and flanged nut. Tighten securely. 53 in-lb.
- Repeat driver side unless you don't have a driver's side cubby. If not, follow the instructions for driver's side on the next page.
- **NOTE:** You need to add a washer on the passenger side ONLY. We know it's strange, but you can trust us.

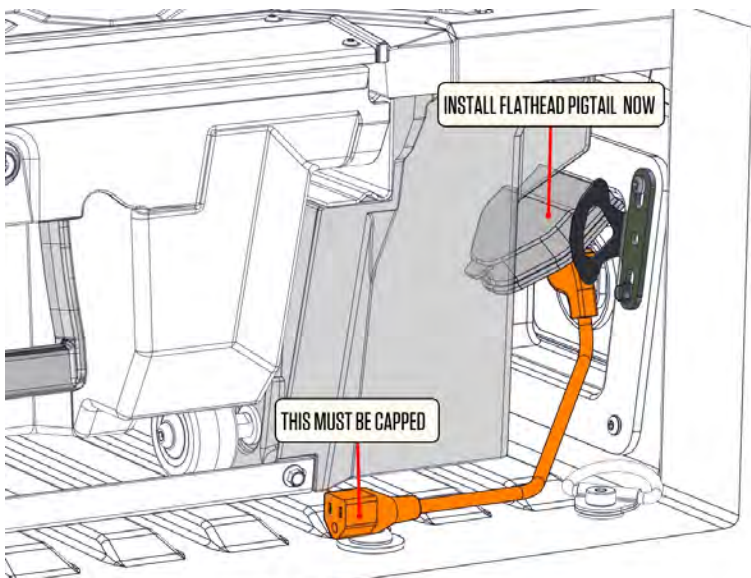
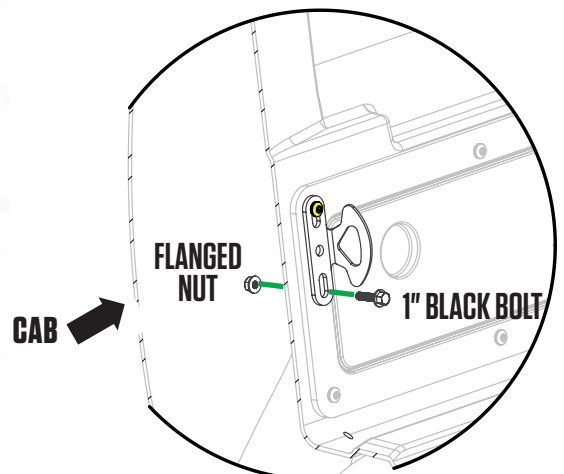
HELPFUL TIP #1: Feel free to remove doors of cubbies so you can still somewhat use them. Use will be compromised, but hey, life ain't always fair, right?!

HELPFUL TIP #2: The power outlet can still be used if you insert a flat head pigtail extension cord **BEFORE** you install the system. Make sure to have the outlet capped to keep water out. See below.

PASSENGER SIDE



DRIVER SIDE



PREP BED: TAILGATE BRACKETS

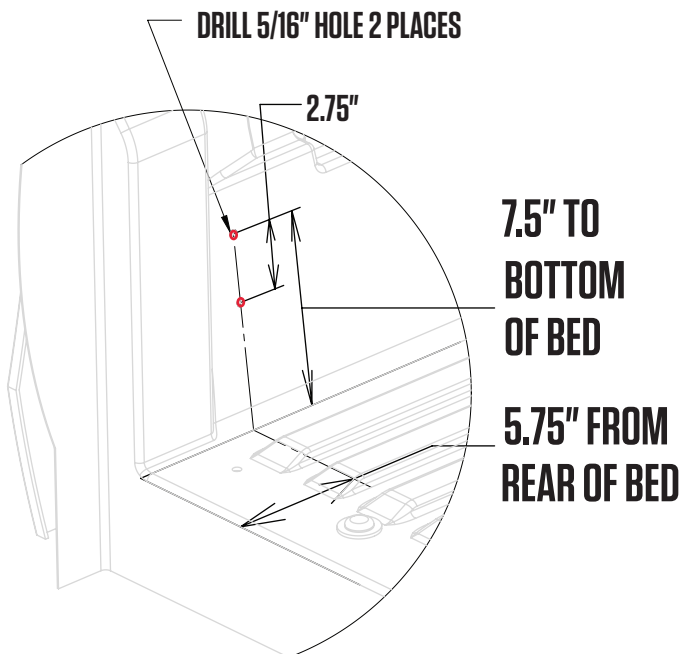
(FOR TACOMAS WITH NO DRIVER SIDE TAILGATE CUBBY)

Grab your bag: **PREP MT5/MT7, TACOMA TD**

NOTE: Disregard this page if you HAVE a driver's side tailgate cubby - refer to the instructions on the previous page.

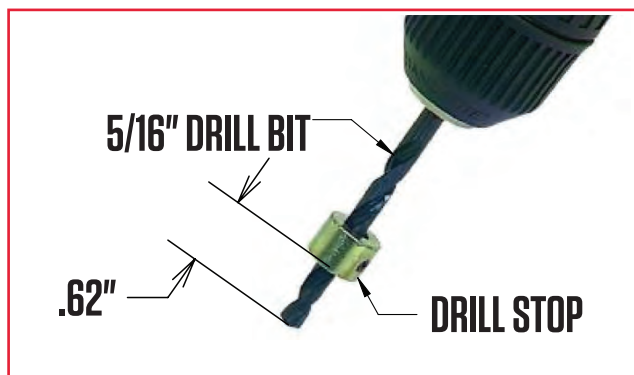
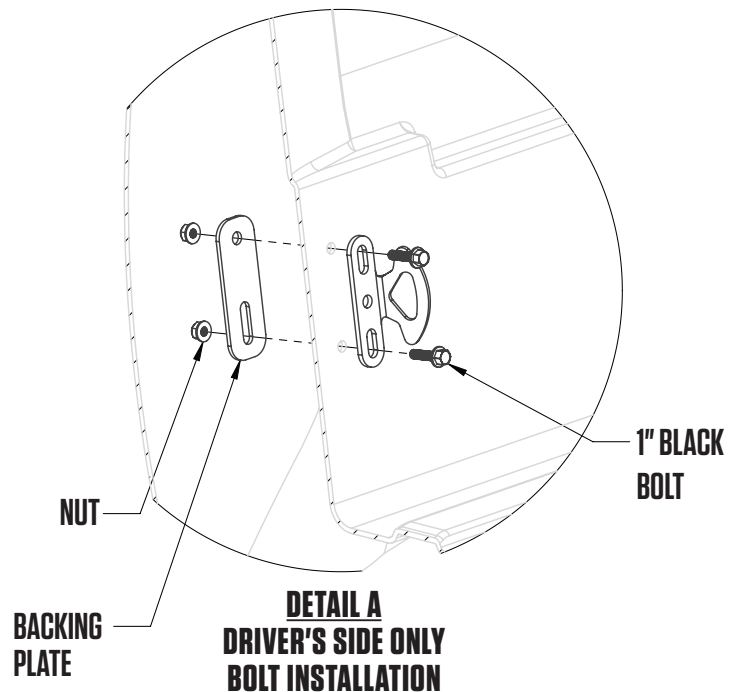
- Referencing dimensional info in **DETAIL A** mark hole locations and drill (2) 5/16" holes (with drill stop set at .62").
- Referencing **DETAIL A** install J-hook mounting bracket as shown with 1" black bolts, backing plate and nuts. **Tighten bolts securely.** 53 in-lb.

DETAIL A



**DRIVER'S SIDE
ONLY HOLE
DRILLING**

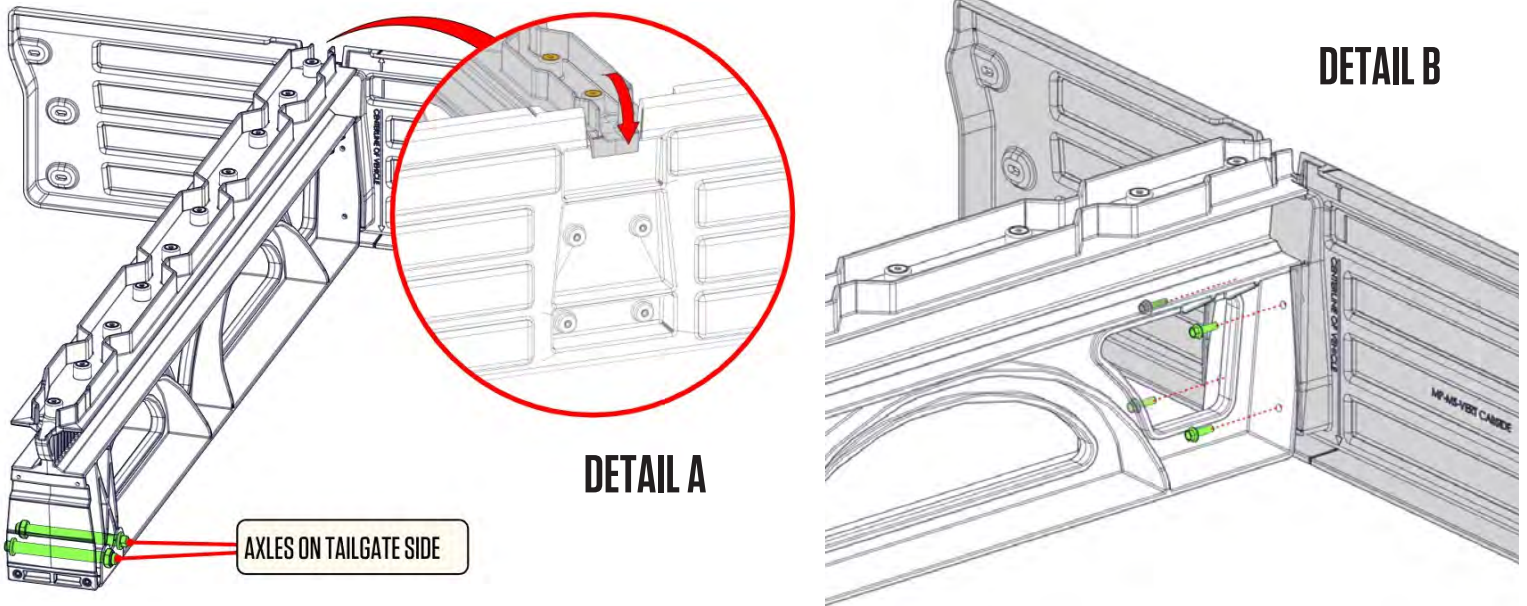
DETAIL B



ASSEMBLY: CENTER VERT + CABSIDE VERT

Grab your bag: **SS1**

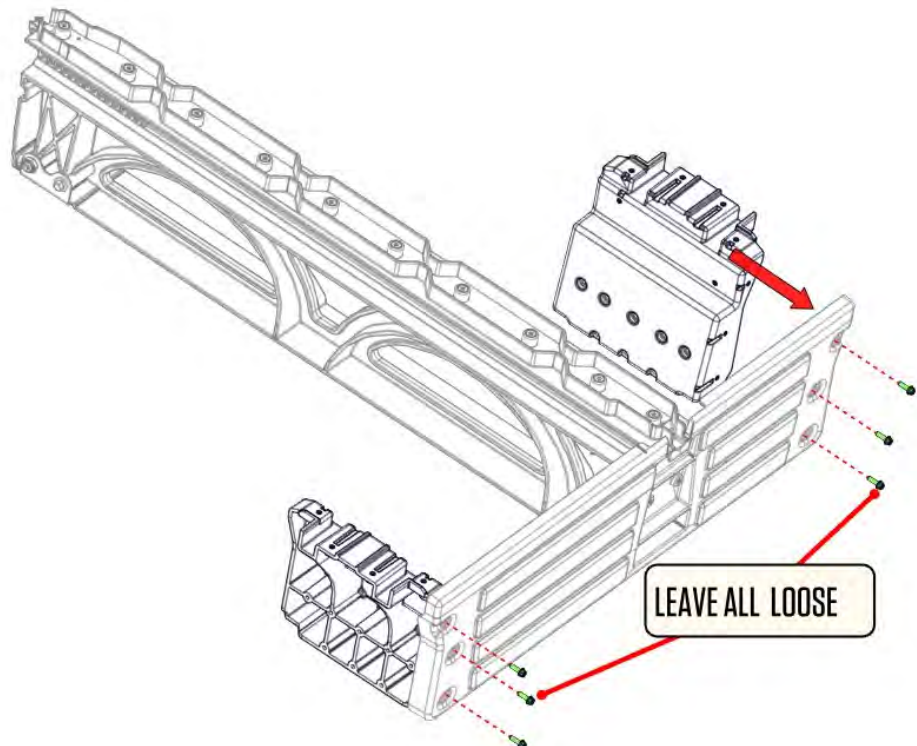
- **NOTE:** Perform the next few steps on a flat surface.
- Place hook on center vert over notch in cabside vert. **DETAIL A.**
- **There are three types of bolts in the SS1 bag. Use the plain, stainless steel bolts for the next step.**
- Attach the center vert to the cabside vert with four bolts (plain stainless steel) from the SS1 bag.
- Tighten just until snug, 27 in-lb. **DETAIL B.**



ASSEMBLY: LOOSELY ATTACH STUDS (YUP)

Grab your bag: **SS1**

- Using the plain stainless steel bolts, **LOOSELY** attach the studs to the cabside vert.
- Leave all of these loose for now.

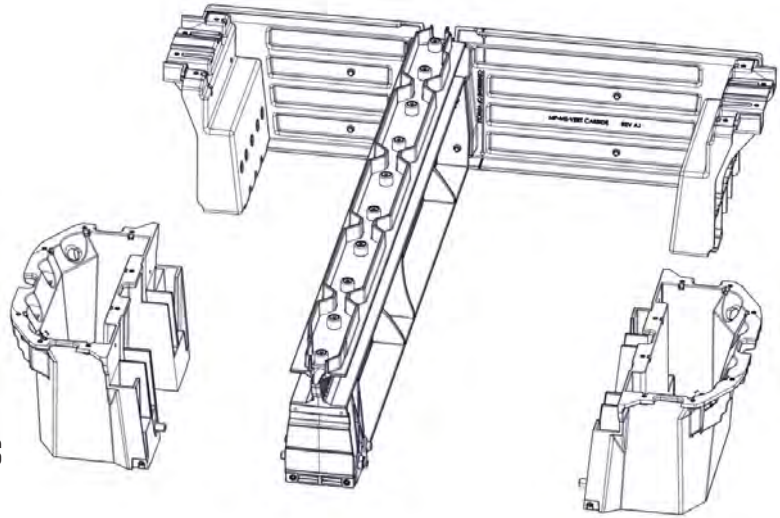


ASSEMBLY: ALIGN STUDS AND PANELS

NOTE: The next two steps ensure the studs are properly located before tightening bolts. It's important. Don't skip it.

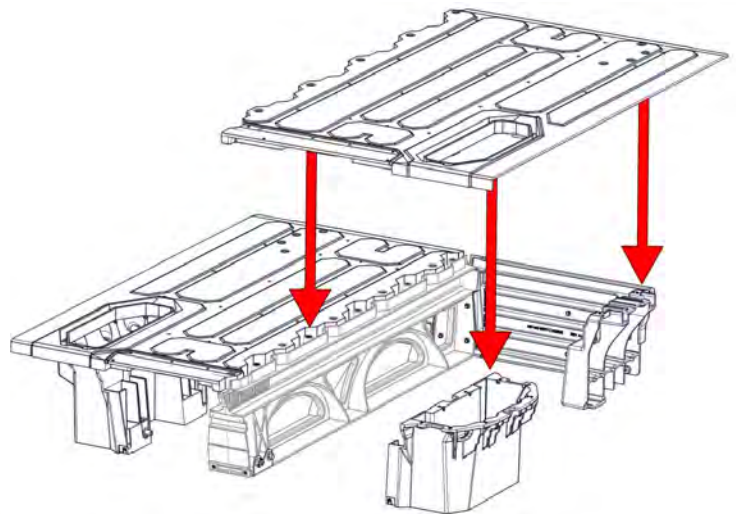
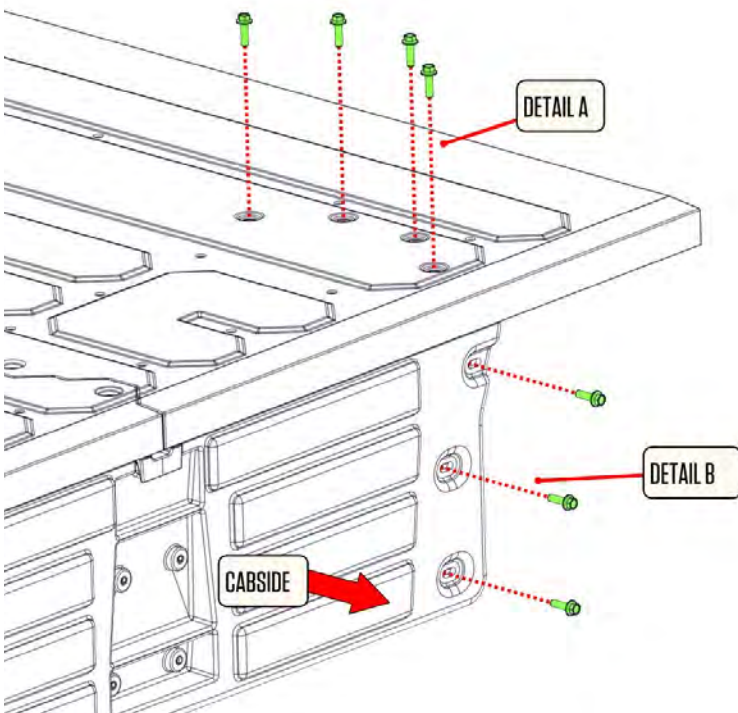
Grab your bag: **SS1**

- Place ammo cans to support tailgate end of deck panels.
- Place deck panels on center vert + stud + cabside vert assembly.
- Slide studs around L-R until deck panels are seated.
- Move ammo cans around to seat the panels onto the ammo cans.
- **DETAIL A:** There are three types of bolts in the SS1 bag. Use the plain stainless bolts for all steps on this page.
- Loosely secure each panel to the cabside stud supports. Don't tighten these. **DETAIL A**
- Now you can securely tighten the bolts that hold the studs to the cabside vert. 27 in-lb. **DETAIL B.**



If you will be installing a CargoGlide onto the DECKED drawer system, now is the time to grab your CargoGlide instructions and prepare the panels - do not put the drawer system in your truck.

- Unbolt deck from studs (DETAIL A bolts), remove deck panels, save bolts, remove ammo cans and set aside for later assembly.



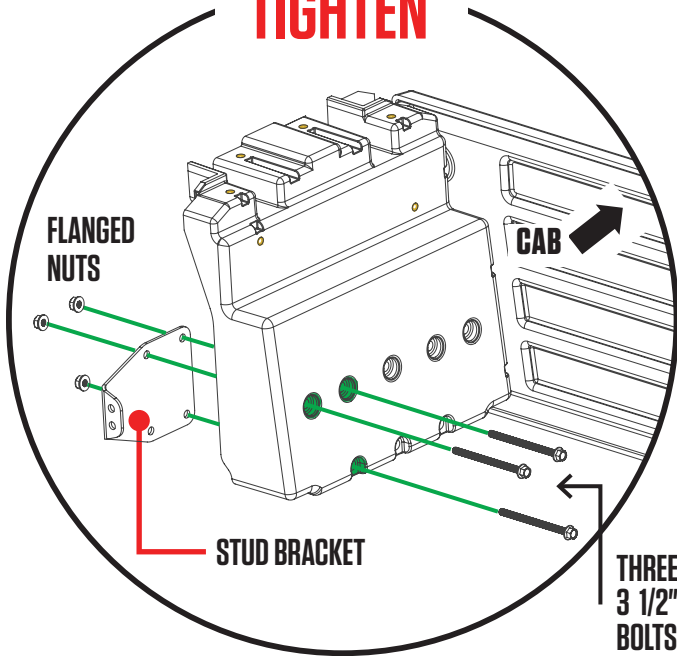
HELPFUL TIP: This step seems like a waste of time, but Dr. DECKED says it's important...don't skip out.

ASSEMBLY: BRACKETS + MOUNTING

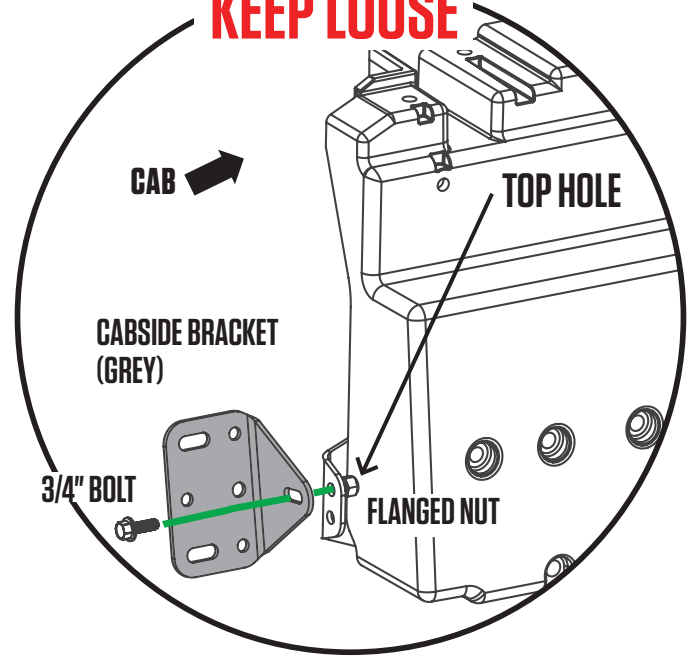
Grab your bag: **PREP MT5/MT7**

- **STEP 1:** Securely attach stud bracket to driver side stud using three 3 1/2" bolts and three flanged nuts. 27 in-lb.
- **STEP 2:** Loosely attach cabside bracket to the top hole in stud bracket with 3/4" bolt and flanged nut. **LEAVE LOOSE.**
- Repeat STEP 1 and STEP 2 on passenger side.
- **STEP 3:** While supporting both ends, lift center vert + stud + cabside vert assembly in truck bed.

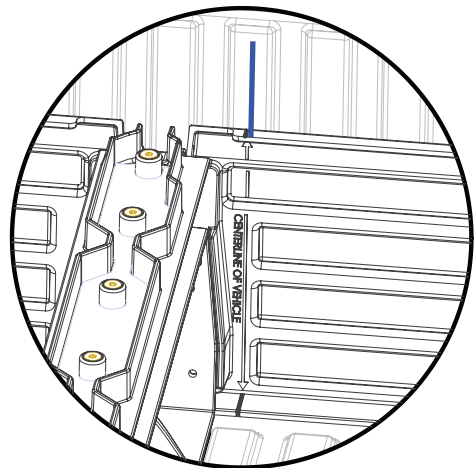
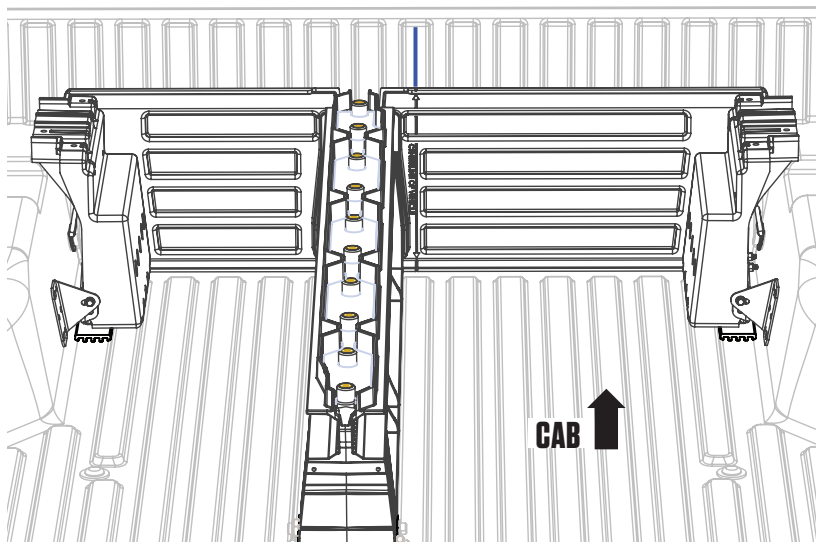
STEP 1 TIGHTEN



STEP 2 KEEP LOOSE



STEP 3



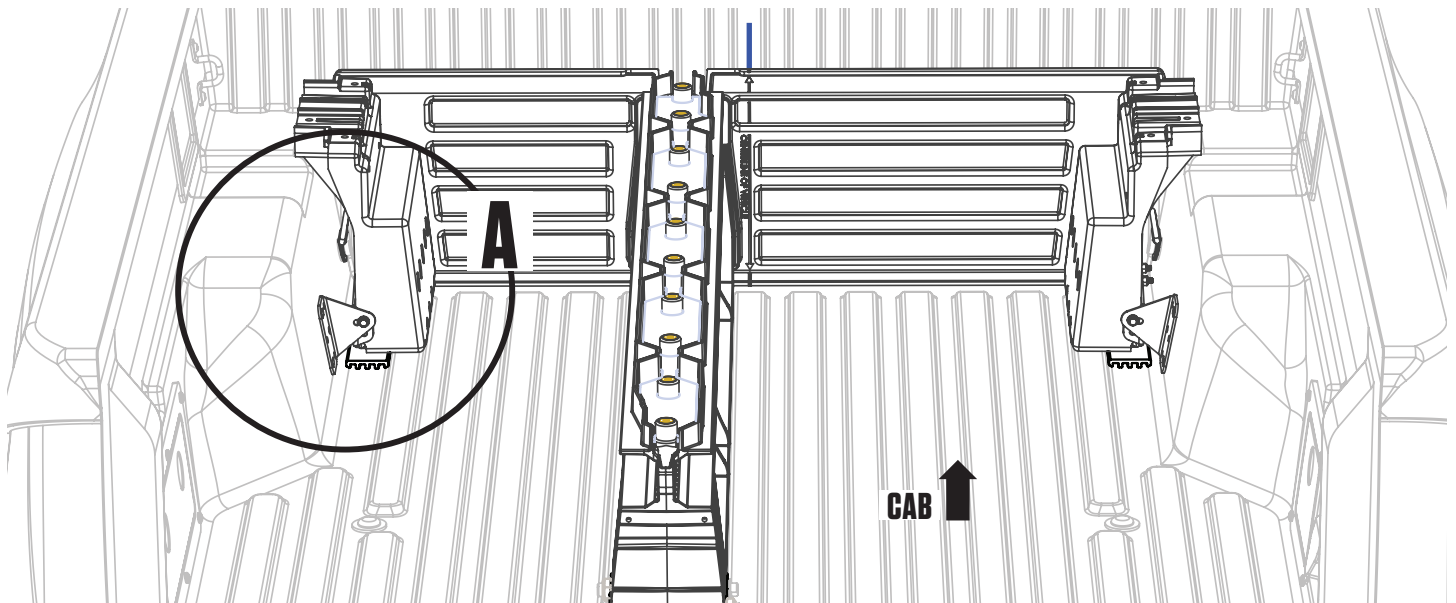
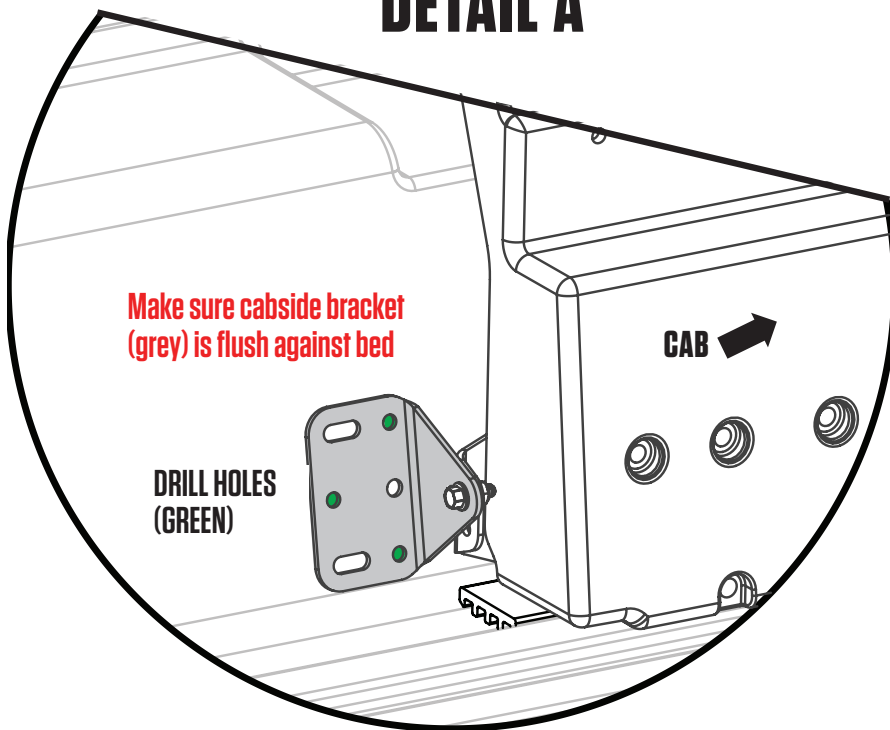
NOTE: Make sure centerline arrows on cabside vert are aligned with your centerline mark (blue).

INSTALL: CABSIDE BRACKET DRILL

Grab your bag: **PREP MT5/MT7**

- Place driver side cabside bracket flush against truck bed wall, now tighten securely to stud bracket. 53 in-lb.
- While keeping assembly on centerline, drill three 1/4" diameter holes into bed using cabside bracket as a guide (green holes). Make sure to use a drill stop set to 1/2" depth.
- Repeat passenger side.

DETAIL A

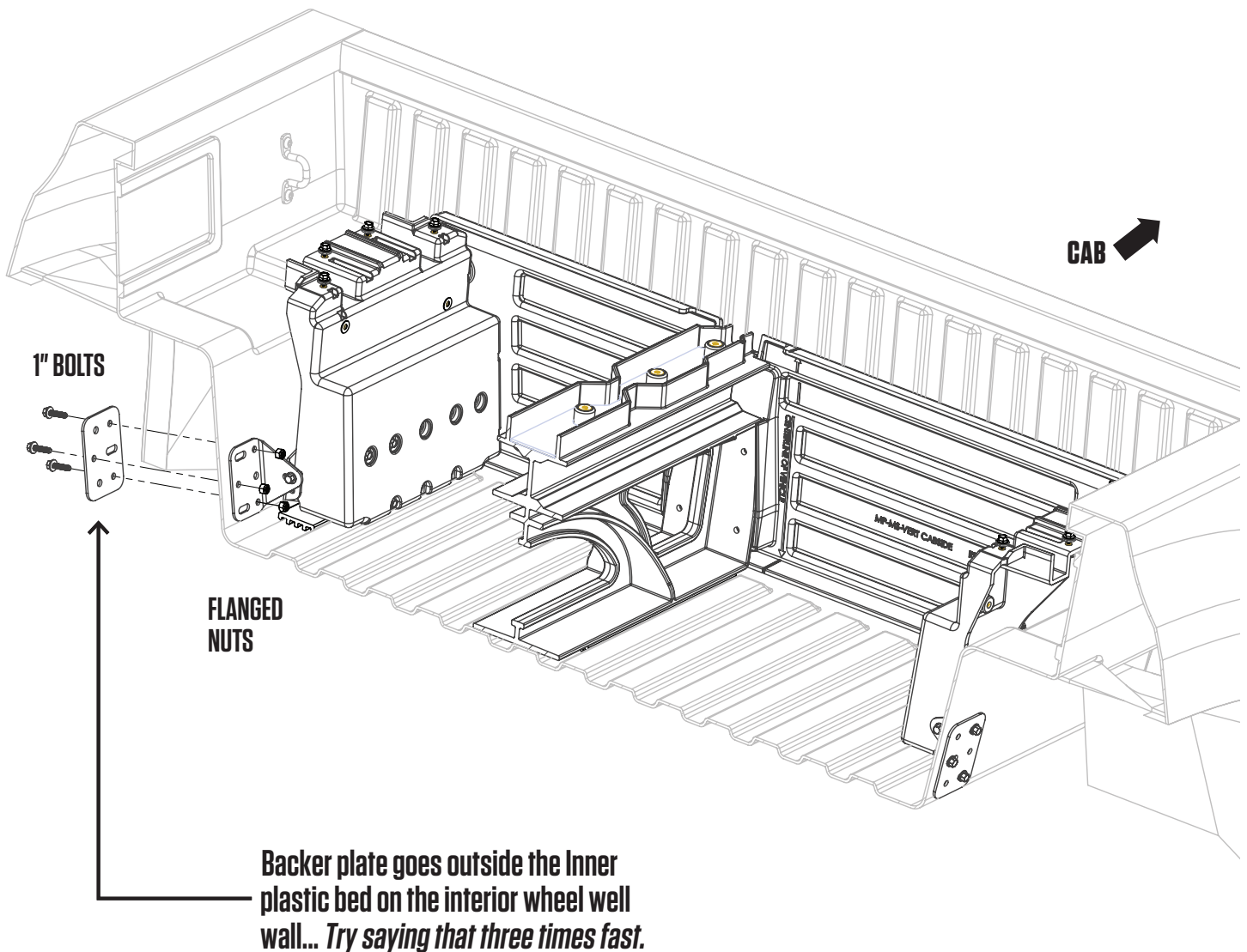


INSTALL: BACKING PLATE

NOTE: If your pal left, clank some cans together to get them to come back.

Grab your bag: **PREP MT5/MT7**

- Play Rock Paper Scissors with your pal.
- The loser needs to hold the backing plate inside the wheel well and install three 1" black bolts through the backer plate, bed wall and cabside stud bracket.
- The winner gets to install the nuts and tighten them securely while the loser holds on. 53 in-lb.
- Repeat on the passenger side - maybe swap chores and be fair?

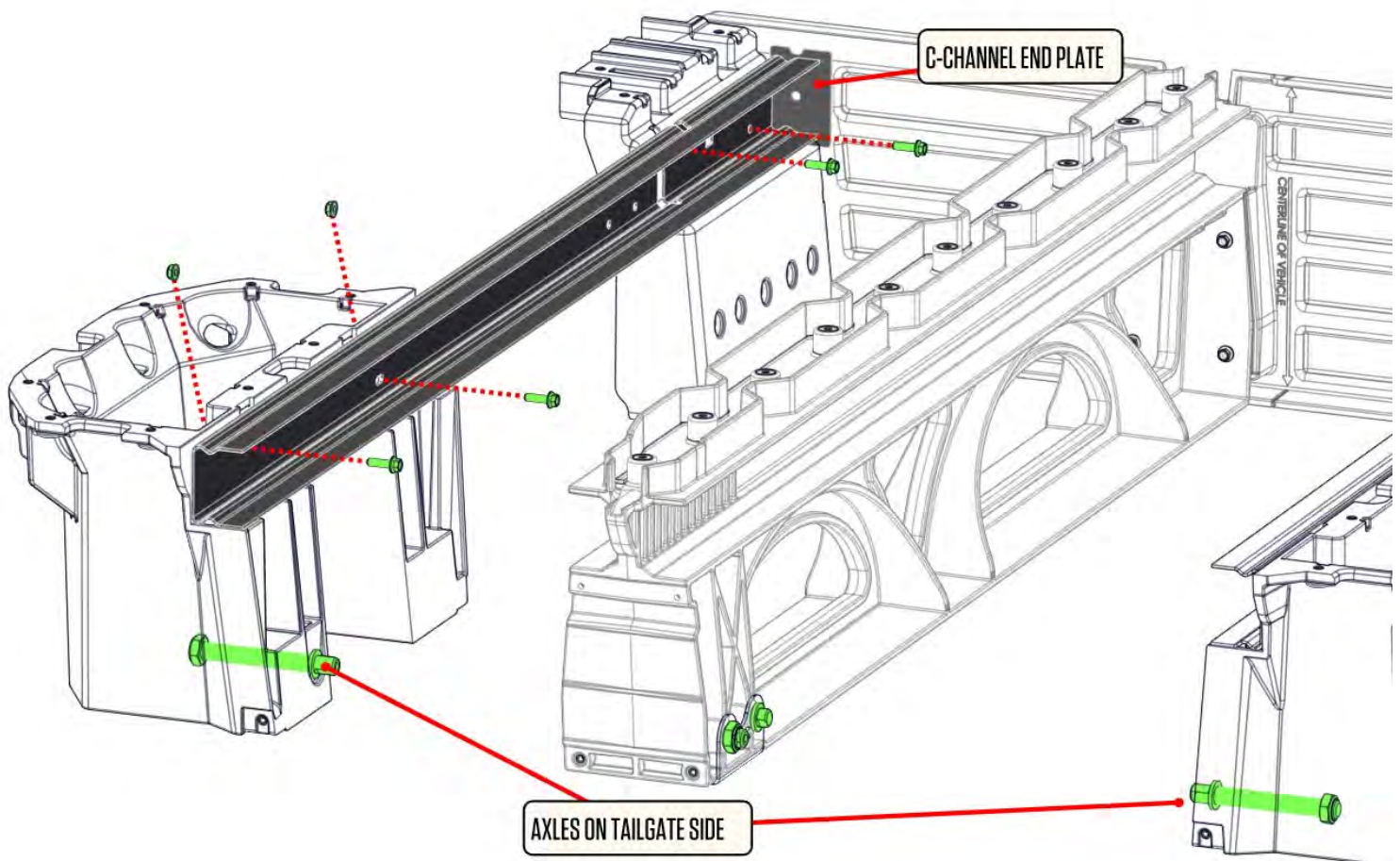


INSTALL: C-CHANNELS

Grab your bag: **SS1, B2, N1**

IMPORTANT: The ammo can axles must be on the tailgate side of the assembly.
The bolt heads must be on the inside of the C-channel.

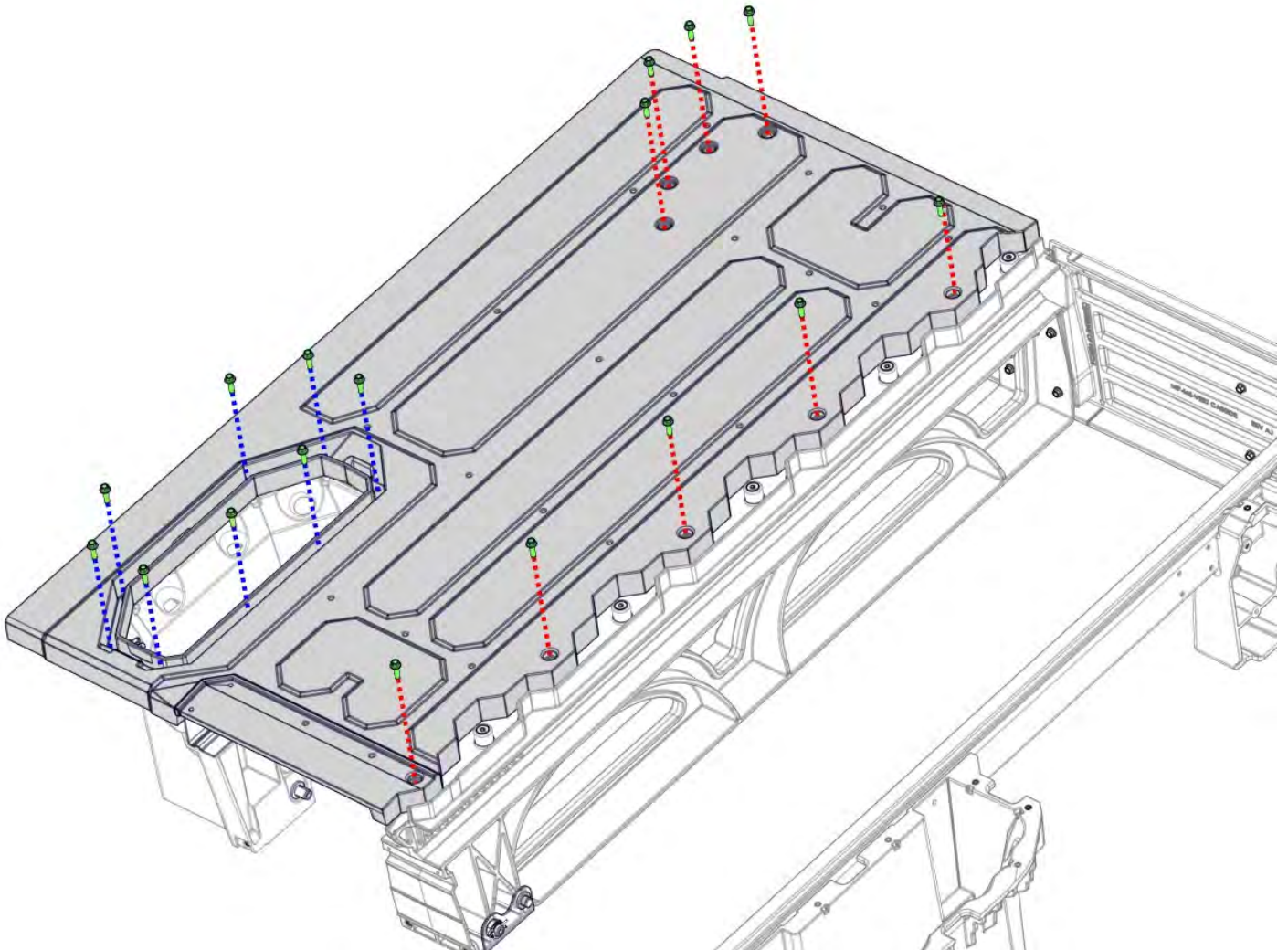
- Loosely place the left side ammo can at tailgate corner of bed. The axle will be closest to you. There is an "L" on the inside of the can. The left can must be on the left side. Don't get this wrong.
- Place a C-channel on the ledge of the stud and ammo can with the end plate on the stud (cabside).
- Use two of the BLACK SS1 bolts to install the C-channel to the cabside stud. No nuts needed here.
- Tighten until snug, 27 in-lb.
- Use two B2 bolts and two N1 nuts to LOOSELY install the C-channel to the ammo can. **KEEP LOOSE.**
- Repeat on the right side.



INSTALL: DECK HALVES

Grab your bag: SS1

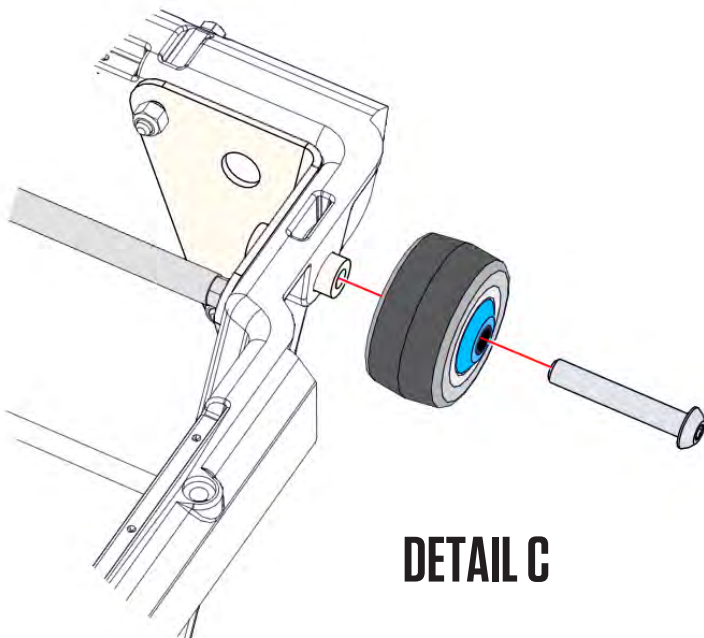
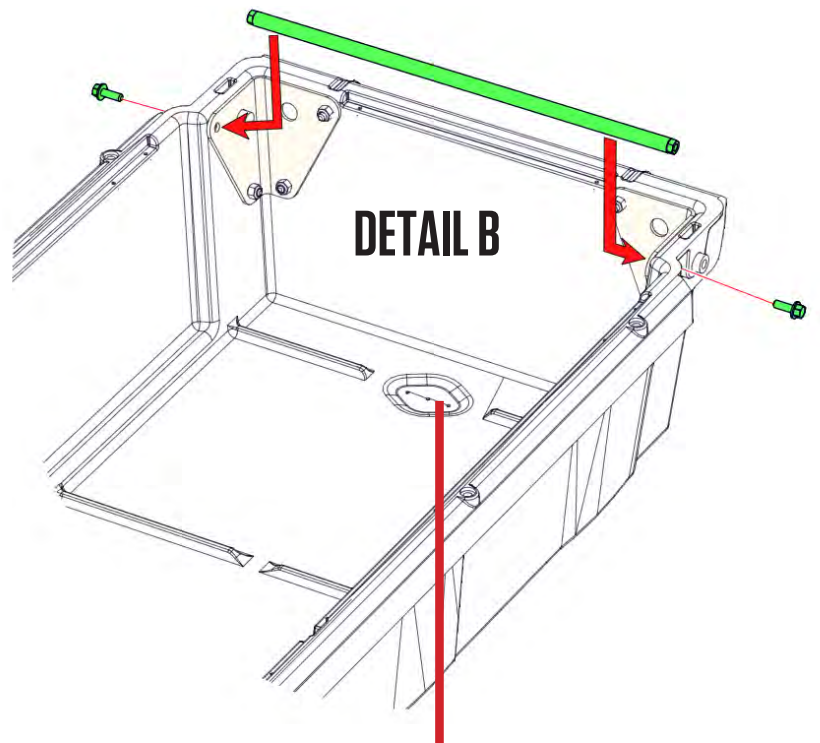
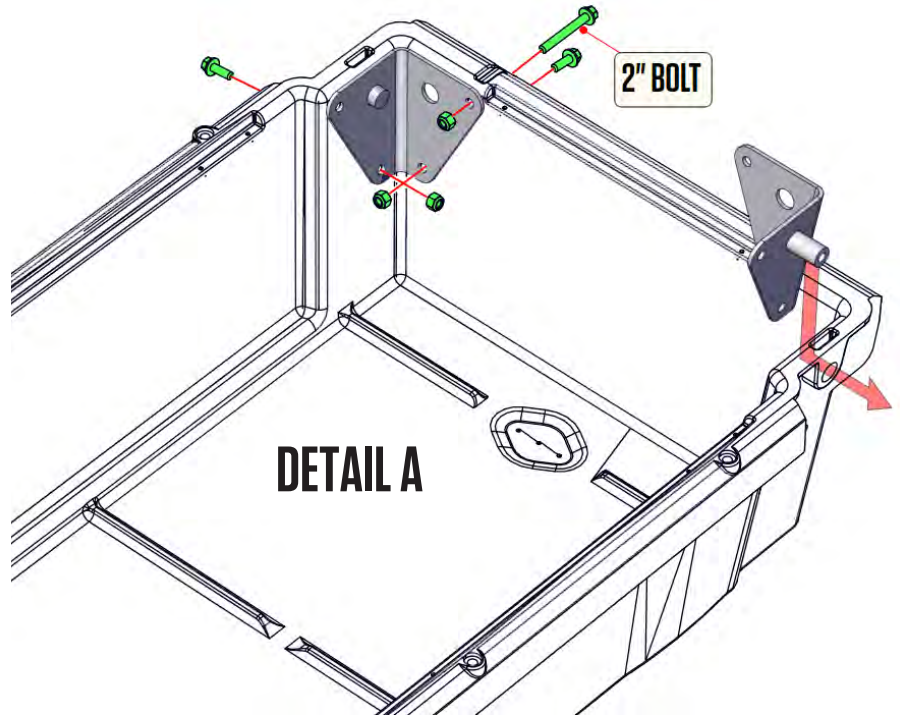
- Loosely place left/driver deck panel on side stud, center vert and ammo can.
- Shift ammo can forward, rearward, L-R, as necessary to align with fully seated deck panel.
- Use the plain stainless SS1 bolts to attach the deck panel to the center vert (red lines below) 27 in-lb.
- Use the plain stainless SS1 bolts to attach the deck panel to the cabside stud (red lines below) 27 in-lb.
- Use the SS1 bolts with the blue Rimlex sealant applied under the bolt head to attach the deck panel to the ammo can (blue lines below) 27 in-lb.
- Repeat the above process with the passenger side deck panel.
- Now securely tighten the C-channel to ammo can bolts on each side unless you want rattles later.



DRAWERS: BRACKETS + WHEELS

Grab your bag: **DRAWER 1, DRAWER 2, WHEELS**

- Each drawer has a left and a right wheel bracket. Place the brackets into the drawers as shown.
- Install two 3/4" bolts into the bottom two bracket holes. Secure with nuts but leave loose. **DETAIL A.**
- Install the 2" bolts through the back mounting hole where shown. Secure with a nut. 27 in-lb. **DETAIL A.** Tighten above nuts until snug. 27 in-lb.
- Use two 3/4" bolts to install the tube brace from the **DRAWER 2** bag. 27 in-lb. **DETAIL B.**
- Install the wheels with a 7/32" hex wrench. 90 in-lb. **DETAIL C.**

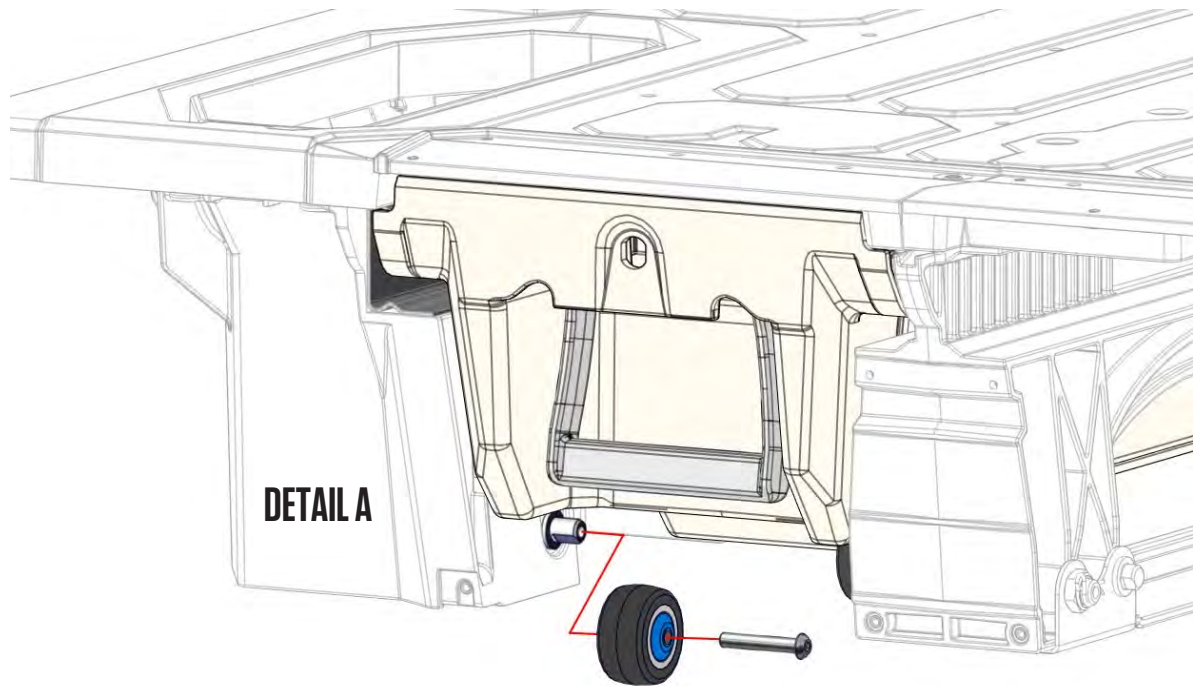


HELPFUL TIP: If you purchased drain plugs, install now (instructions are included with drain plugs).

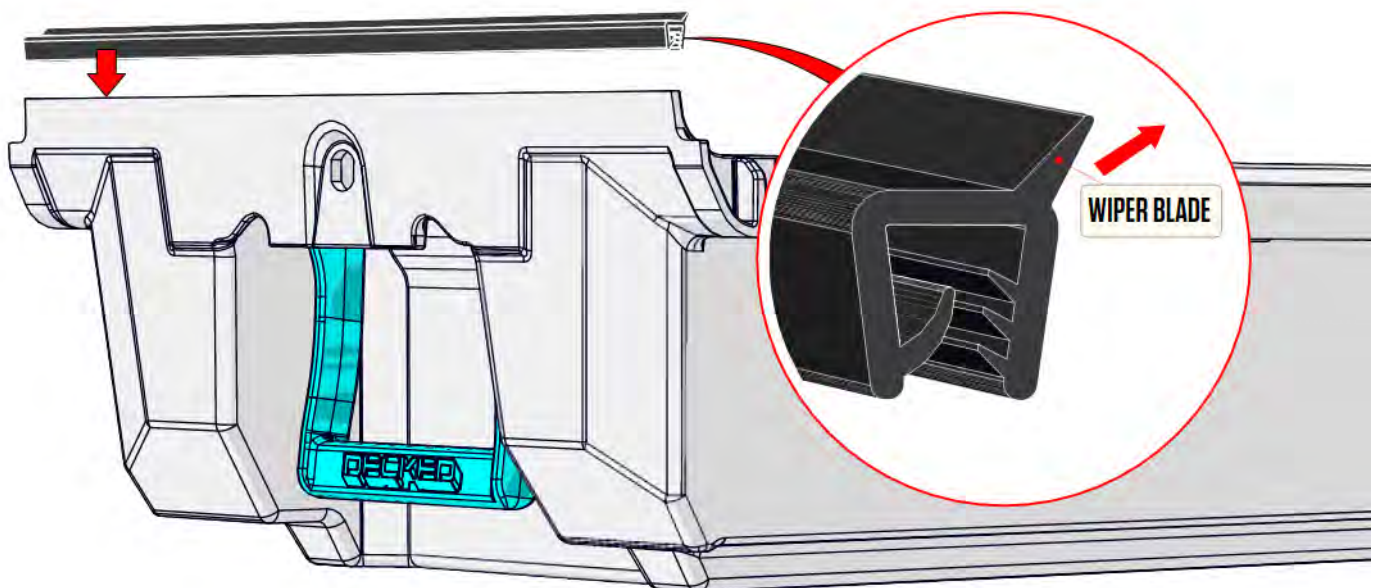
DRAWERS: AXLE WHEELS + WEATHERSTRIPS

Grab your bag: **WHEELS**

- Slide narrow drawer into driver side drawer cavity. **NOTE: It is easier to fully install the narrow drawer first.**
- **DETAIL A:** Install two tailgate wheels onto narrow drawer axles with a 7/32" hex wrench.
- Repeat with wide drawer.



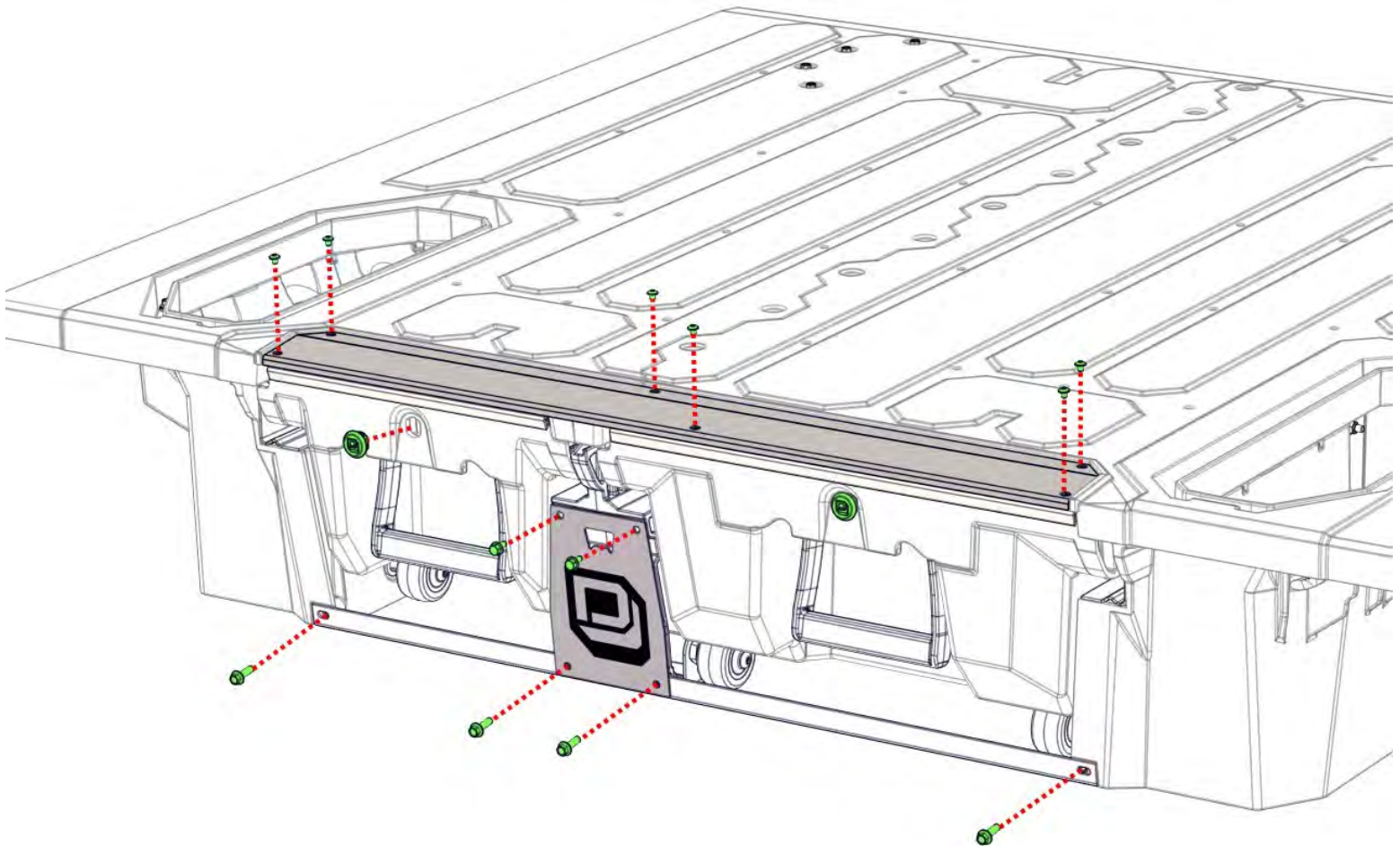
- Install weatherstrips on top of drawer edges WITH WIPER BLADE POINTING TOWARD DRIVER. **IMPORTANT: Facing the weatherstrip the wrong way will funnel water into drawer: BAD!**



THE FUN STUFF: TORSION BRACE + BOTTLE OPENER + RULER

Grab your bag: **SS1, FINAL MS**

- Slide torsion brace under center vert and tailgate ammo cans.
The side without the holes slides UNDER the center vert and tailgate ammo cans.
- Place bottle opener on the outside of the torsion brace.
- Loosely install (start with your fingers to avoid cross-threading):
 - Two 1/2" black bolts from the FINAL MS bag through the upper holes in the bottle opener into the center vert - leave loose for now.
 - Two black SS1 bolts through the bottom bottle opener holes and torsion brace into the center vert inserts - leave loose.
 - Two black SS1 bolts through the outer torsion brace holes into the ammo cans. Tighten just until snug, 27 in-lb.
- Align bottle opener to edges of center vert and tighten the four bottle opener bolts just until snug.
- Install lock core plugs into the drawer lock holes or install locks if purchased.
(Instructions are included with the locks)
- Align the ruler plate on the tailgate end of the panels. Use an 1/8" hex wrench to install the six ruler screws into the panel inserts - do not overtighten these.

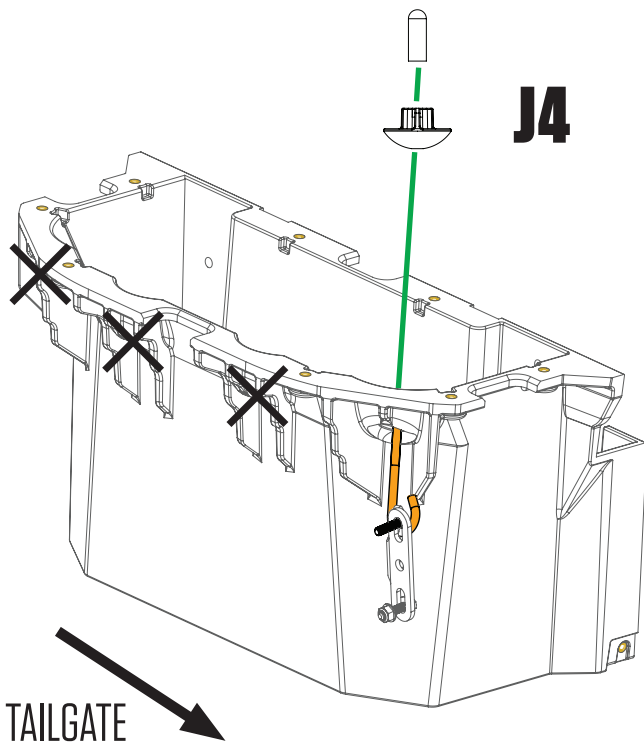


INSTALL: J-HOOKS

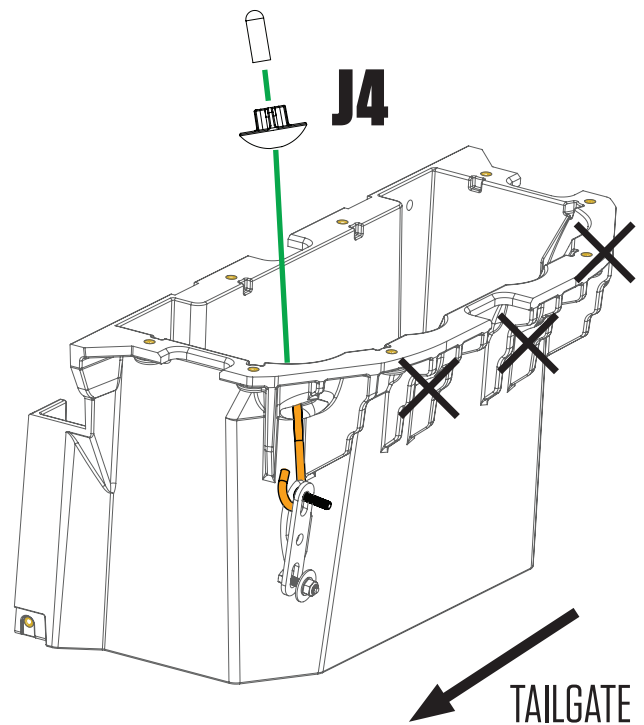
Grab your bag: **SS1, FINAL MS**

- Install J-hook onto tie down bracket and through the hole closest to the **tailgate** in ammo can; **BAG J4**.
- Install winged-spherical nut-washer, round side down, onto J-hook and partially tighten using your fingers only. **IMPORTANT: Keep J-hook assembly loose.**
- Repeat other side.
- Tighten the J-hooks, but **DO NOT OVER TIGHTEN!** Make sure the gap between the side wall of the bed and the deck is equal on both sides.
- Install bolt thread protectors on J-hook ends; **BAG FINAL MID.**

DRIVER SIDE AMMO CAN



PASSENGER SIDE AMMO CAN



HELPFUL TIP: Make sure the hooks open toward tailgate.

IMPORTANT: You're almost there, so get your favorite beverage ready to crack open in the bottle opener and make a toast to your truck. When finished, immediately post a photo of your significant other, child or canine (in no order of significance - please someone show us your pet alligator) appreciating your accomplishment. Add hashtag #DECKEDUSA | @DECKEDUSA.

DECKED Products – Limited Lifetime Warranty

(Valid on DECKED Products purchased on or after 8/1/2021)

DECKED LLC, (the “Manufacturer”) warrants the original purchaser only that DECKED Truck and Van Products (The “DECKED” Product) will be free from defects in material and workmanship from the date of purchase and continuing for the expected lifetime of the DECKED Product. The DECKED Product must be registered by the original purchaser with DECKED, LLC via its website at, www.decked.com/register, and a copy of the original sales receipt must be supplied to the Manufacturer at the time a warranty claim is made. This warranty terminates if the original purchaser transfers the DECKED Product to any other person or vehicle.

WHAT IS COVERED

All DECKED Products identified above on or after August 1, 2021

DECKED's Limited Lifetime Warranty applies to US and Canadian customers only. International shipments are covered by DECKED's 3 Year Limited Warranty.

WHAT WE WILL DO TO CORRECT PROBLEMS

Subject to the limitations and exclusions described in this limited warranty, the Manufacturer will remedy defects in workmanship or materials by providing one of the following remedies at its option and without charge to the original purchaser for parts: (a) repairing the defective portion of the DECKED Product or (b) replacing the entire DECKED Product. In addition, the Manufacturer may elect at its option not to repair or replace the DECKED Product, but rather issue to the original purchaser a refund equal to the purchase price paid for the DECKED Product or a credit to be used towards the purchase of a new DECKED Product.

WHAT IS NOT COVERED

This limited warranty expressly excludes:

- Damage or defects caused by normal wear and tear, cosmetic rust, scratches, accidents, unlawful vehicle operation, installation in a non-supported vehicle or installed in a vehicle which does not match the DECKED Product's SKU-intended fitment or use, or modification of the product, or any types of repair of a DECKED Product other than those authorized or provided by the Manufacturer.
- Damage or defects resulting from conditions beyond the Manufacturer's control and specifications including, but not limited to modification, misuse, overloading, or failure to assemble, install or use the DECKED Product in accordance with the Manufacturer's written instructions or guidelines included with the DECKED Product or separately made available to the original purchaser.
- Damage to the contents of the DECKED Product or vehicle.
- TO THE EXTENT PERMITTED BY LAW, IN NO EVENT SHALL THE MANUFACTURER BE LIABLE FOR ANY INCIDENTAL, SPECIAL, INDIRECT, OR CONSEQUENTIAL DAMAGES, INCLUDING ECONOMIC LOSS, WHETHER RESULTING FROM NONPERFORMANCE, USE, MISUSE, OR INABILITY TO USE THE DECKED PRODUCT OR THE MANUFACTURER'S NEGLIGENCE.

NO OTHER EXPRESS WARRANTY APPLIES

This Limited Lifetime Warranty is the sole and exclusive warranty for DECKED Products. No employee, agent, dealer, or other person is authorized to alter this warranty or make any other warranty on behalf of DECKED LLC.

NOTIFICATION PROCEDURES

If the DECKED Product does not conform with the terms of this limited warranty, the original purchaser must promptly notify the Manufacturer in writing upon discovery of the nonconformity. In order to receive remedies under this limited warranty, a warranty claim must have been registered with DECKED LLC by the original purchaser, must describe the nature of the products nonconformity, include a copy of the original sales receipt, invoice, or other proof of purchase and be accompanied with photos or video. Repairs or modifications made to the DECKED Product by other than the Manufacturer or its authorized agent will nullify this limited warranty. Coverage under this limited warranty is conditioned at all times upon the owner's compliance with these required registration, notification, and repair procedures.

Product registration may be performed at: <https://decked.com/register>

Warranty claims must include reciprocal contact information and may be made via certified mail or email to:

DECKED Warranty and Claims

Contact info:

DECKED LLC

PO Box 885

Ketchum, ID 83340

warranty@decked.com

208-806-0251

DECKED.COM | #DECKEDUSA | @DECKEDUSA

