



Installation Instructions:
MN5

NISSAN NAVARA / NP300

1503mm BED LENGTH

2015-CURRENT

TOOLS REQUIRED

- Adjustable spanner
- 13mm open end spanner
- #2 Phillips screwdriver
- 1/4" drive ratchet
- 11mm deep socket
- Electric drill
- 11mm drill bit
- 8mm drill bit
- 3.5mm drill bit
- Drill stop

Watch installation videos at www.DECKED.com/video

FOLLOW US:



@DECKEDUSA | #DECKEDUSA

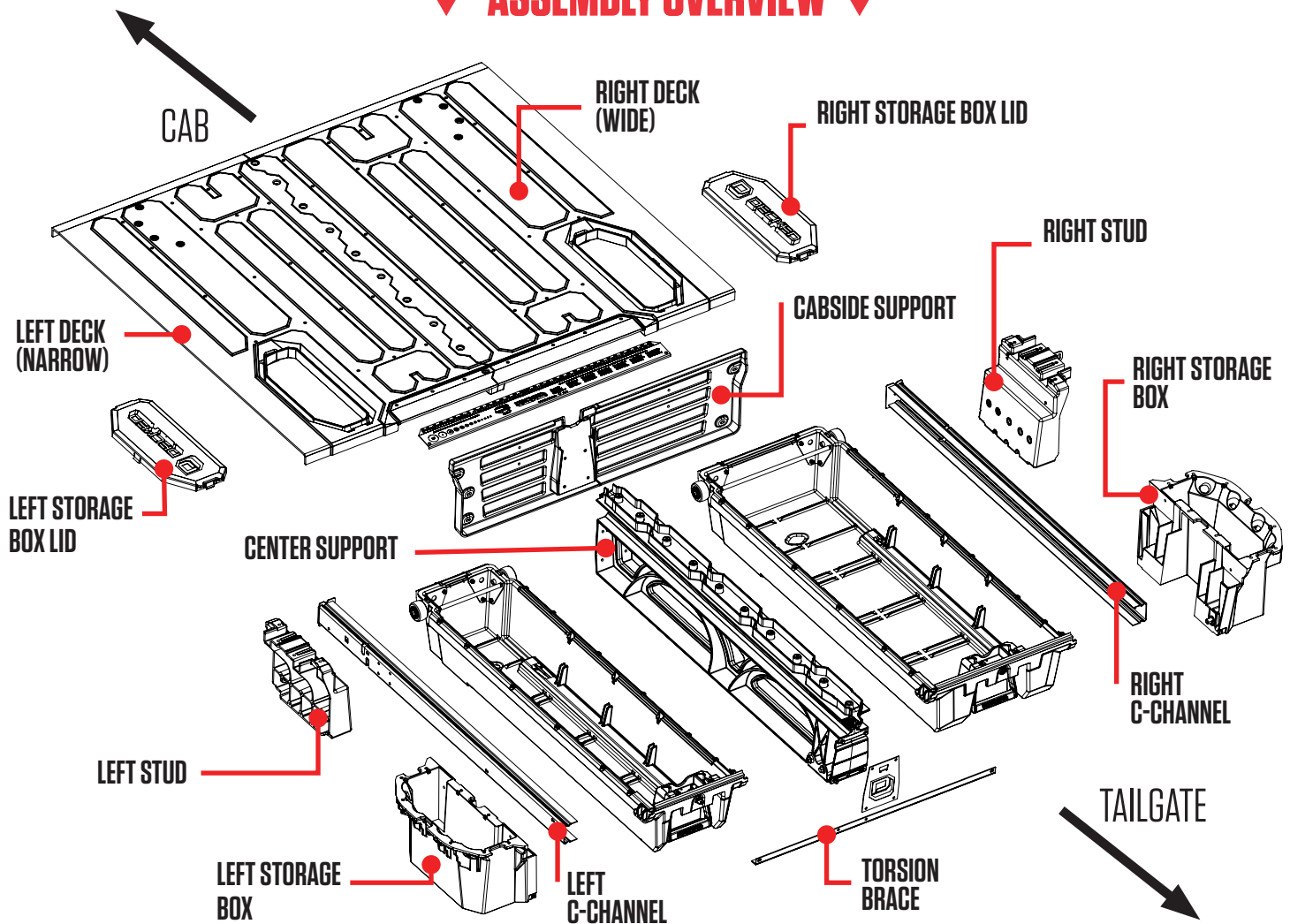
VERSION 1

DECKED.COM | SERVICE@DECKED.COM | 1-208-806-0251

▼ PLEASE READ BEFORE YOU INSTALL DECKED ▼

1. **DON'T** over tighten screws. They just need to be hand tight.
2. **DON'T** use power tools.
3. If you do over tighten the screws, there are two extra threaded inserts are included in BAG.
4. **DON'T** over tighten J-hooks during installation. Tighten them sufficiently to prevent the system from moving in the bed.
5. Do read these instructions closely.

▼ ASSEMBLY OVERVIEW ▼



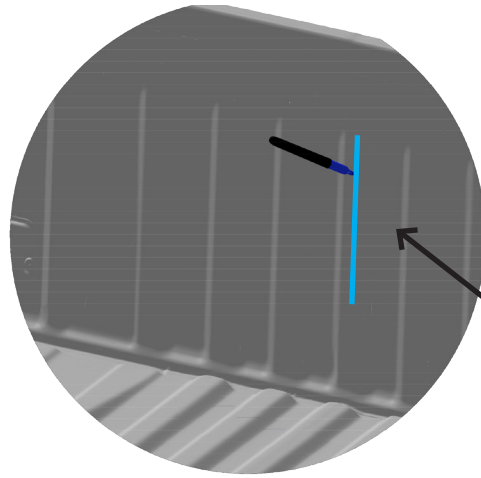
Need Help? Watch our installation videos or email us. We're happy to help!

SERVICE@DECKED.COM | DECKED.COM/VIDEO

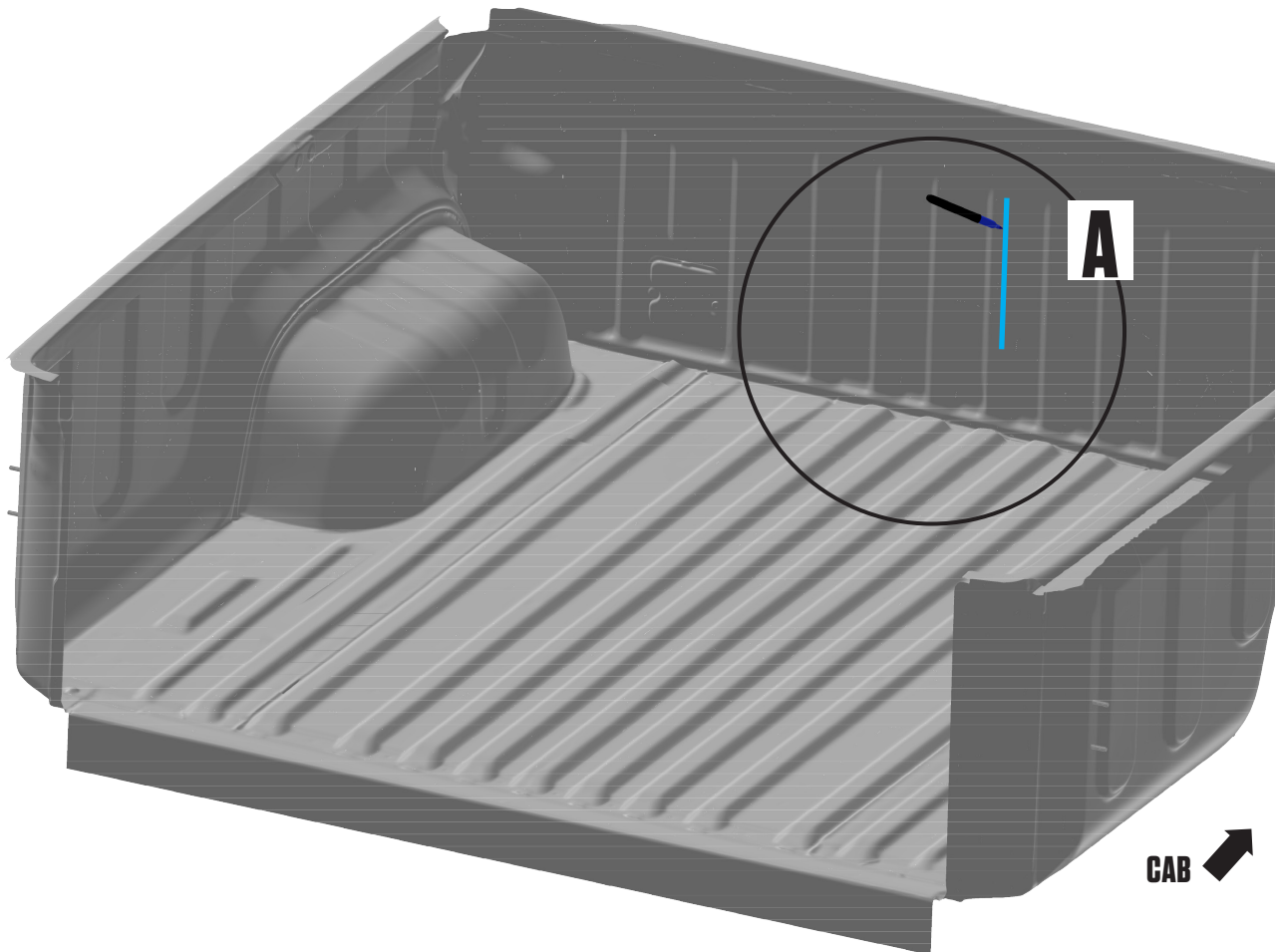
PREP BED: MARK CENTRE OF BED

- Use a marking pen or wax pencil to mark a centre line of bed (blue) on the raised centre bead.

DETAIL A



MAKE SURE THIS MARK EXTENDS AT LEAST 355mm UP FROM THE BED (SO IT'S VISIBLE LATER)

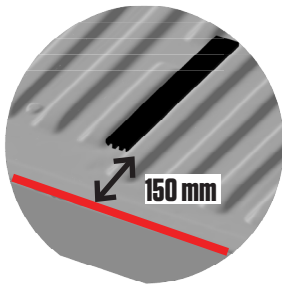


PREP BED: SHIMS

- There are **2 WIDE SHIMS** and **4 NARROW SHIMS** loose in the hardware kit.
- Using the information below:
 - 1) Clean the bed surface where the shims will be located. Use Isopropyl alcohol wipes.
 - 2) Remove tape film and apply shim and apply with pressure.

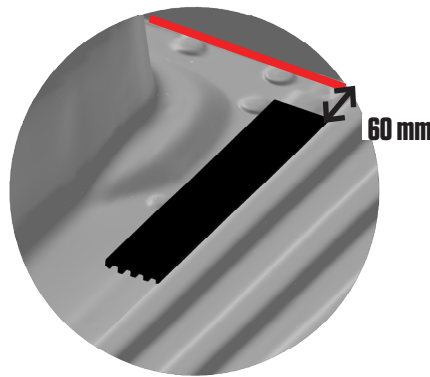
DETAIL A

Align narrow shim to channel in floor as shown 150mm from rear of bed (red).
Repeat on the right side of bed.



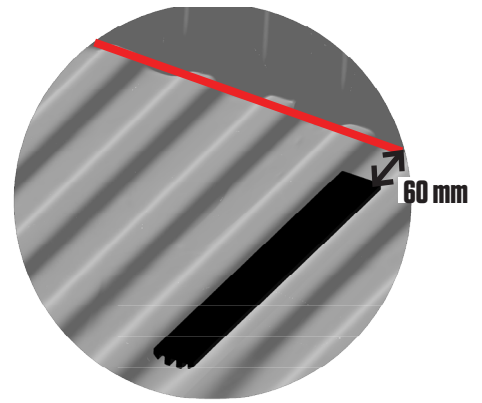
DETAIL C

Align wide shim to channel in floor as shown 60mm from cabside panel of bed (red).
Repeat on the right side of bed.



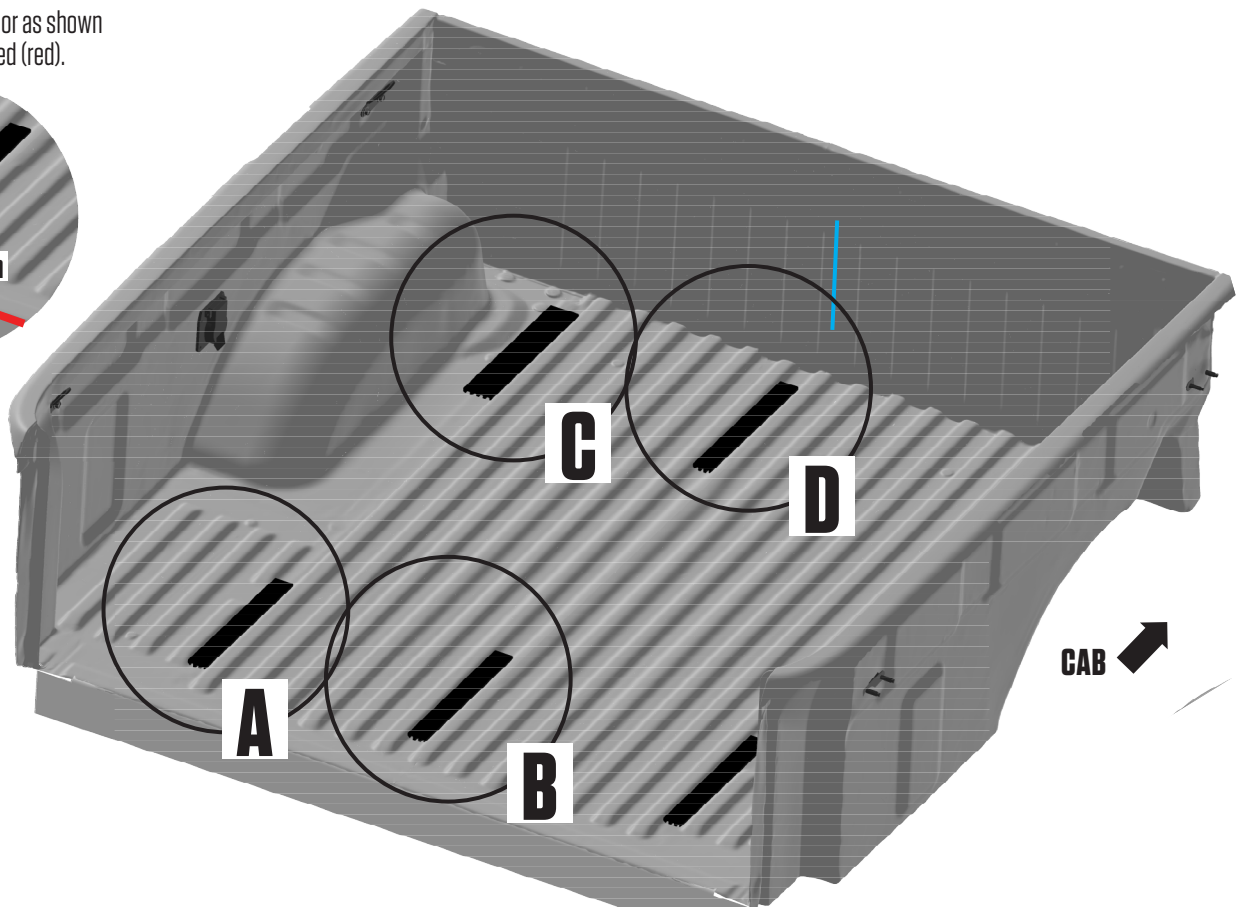
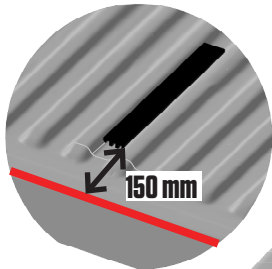
DETAIL D

Align narrow shim to channel in floor as shown 60mm from cabside panel of bed (red).



DETAIL B

Align shim to channel in floor as shown 150mm from rear of bed (red).



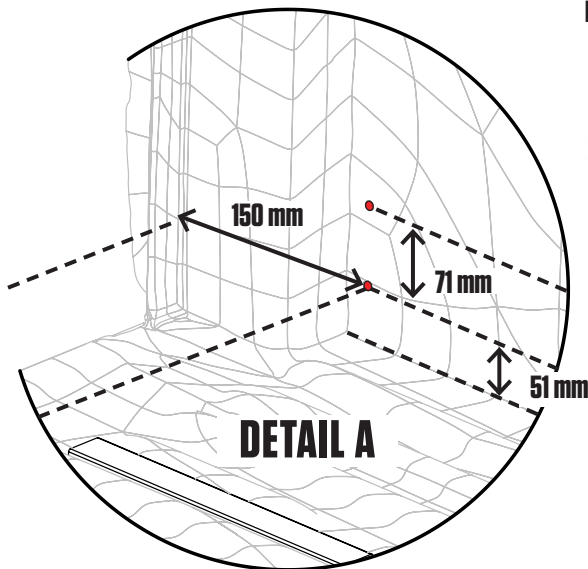
PREP BED: TAILGATE BRACKET

NOTE: You will need assistance for this step.

- **STEP 1:** Mark holes as shown.
 - **STEP 2:** At both mark locations, drill two 8mm holes.
 - **STEP 3:** Install tailgate bracket; BAG PREP-MN5. **IMPORTANT:** Orient bracket hook side towards cab as shown.
NOTE: Bracket must be oriented as shown.
- Repeat other side.

STEP 1

Mark bottom hole location at 150 mm from back of truck bed and 51 mm up from floor. Mark center of top hole location 71 mm from bottom hole center.



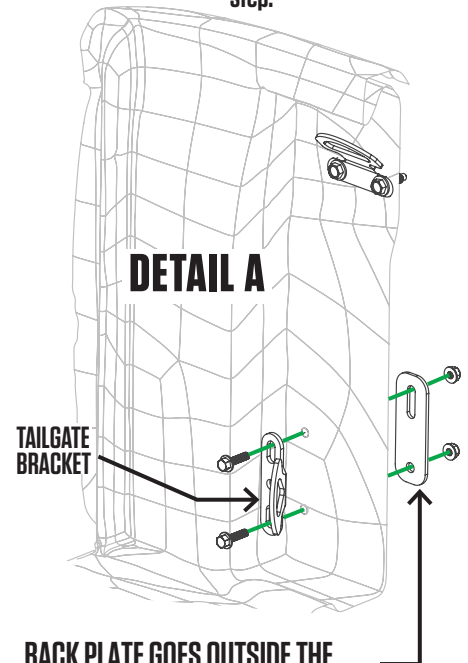
STEP 2

At both mark locations, drill a 8mm hole using a drill stop set to 6mm.

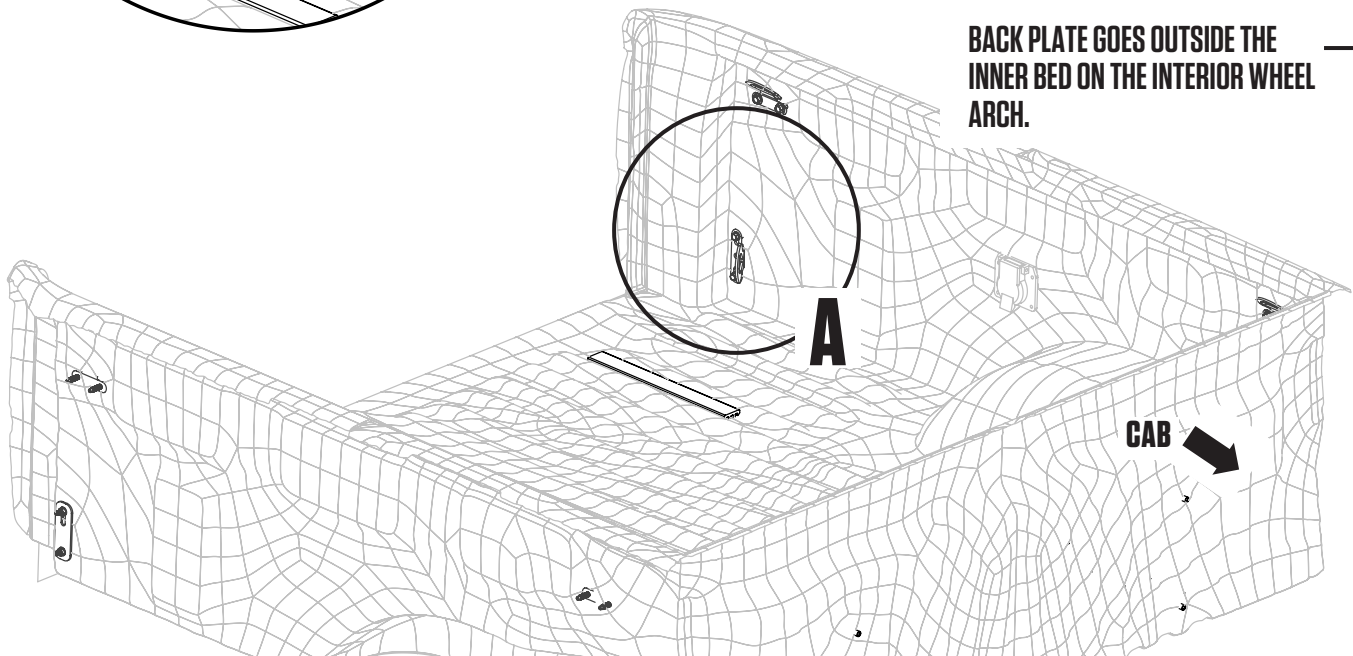


STEP 3

Install tailgate bracket and backing plate as shown with two 1" screws and flanged nuts. Securely tighten. **NOTE:** You will need assistance for this step.



BACK PLATE GOES OUTSIDE THE INNER BED ON THE INTERIOR WHEEL ARCH.

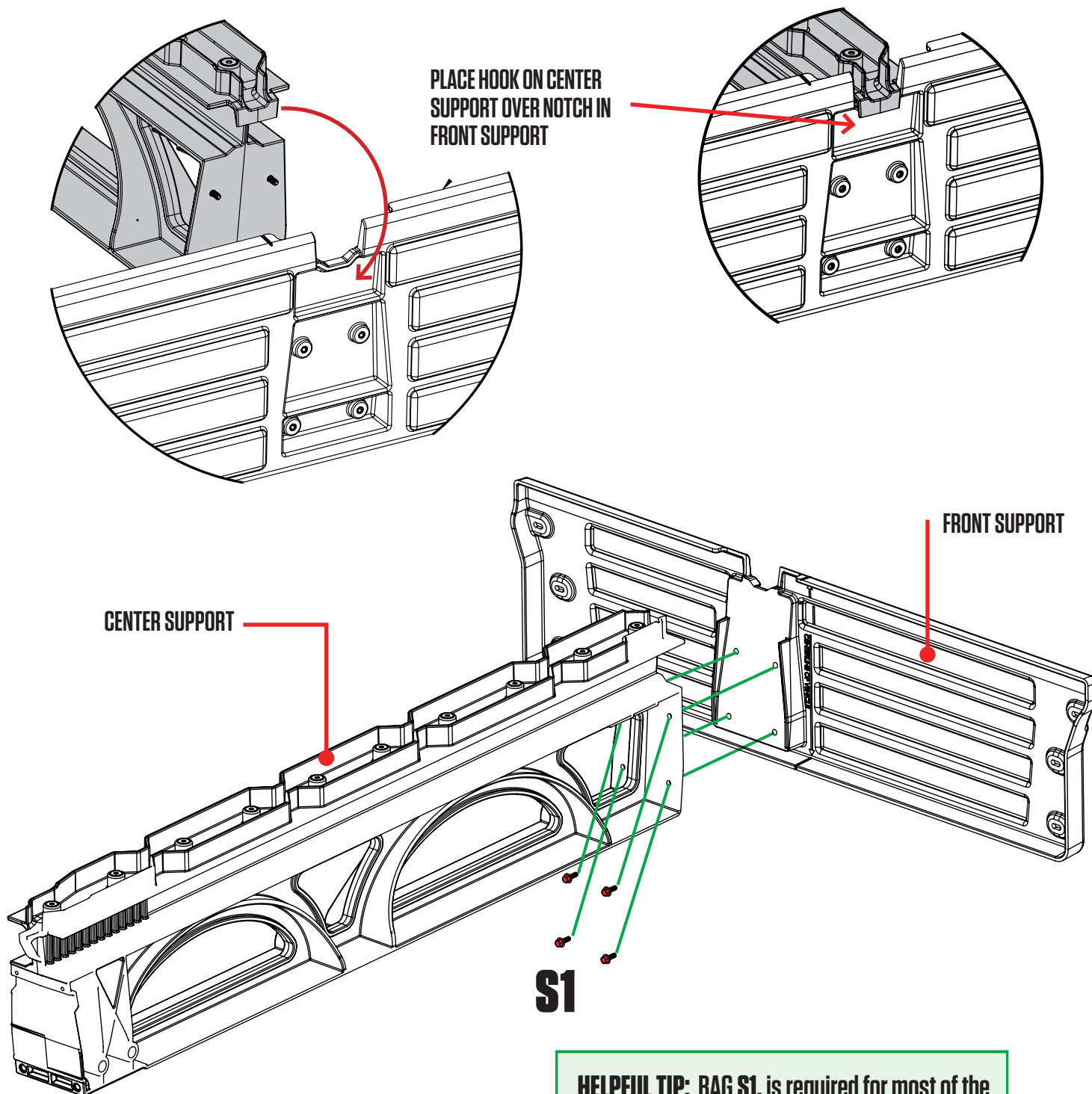


ASSEMBLY: CENTER SUPPORT + FRONT SUPPORT

NOTE: Perform the next few steps on a flat surface.

- Attach center support to the front support with four screws. Alternate to tighten; BAG S1.

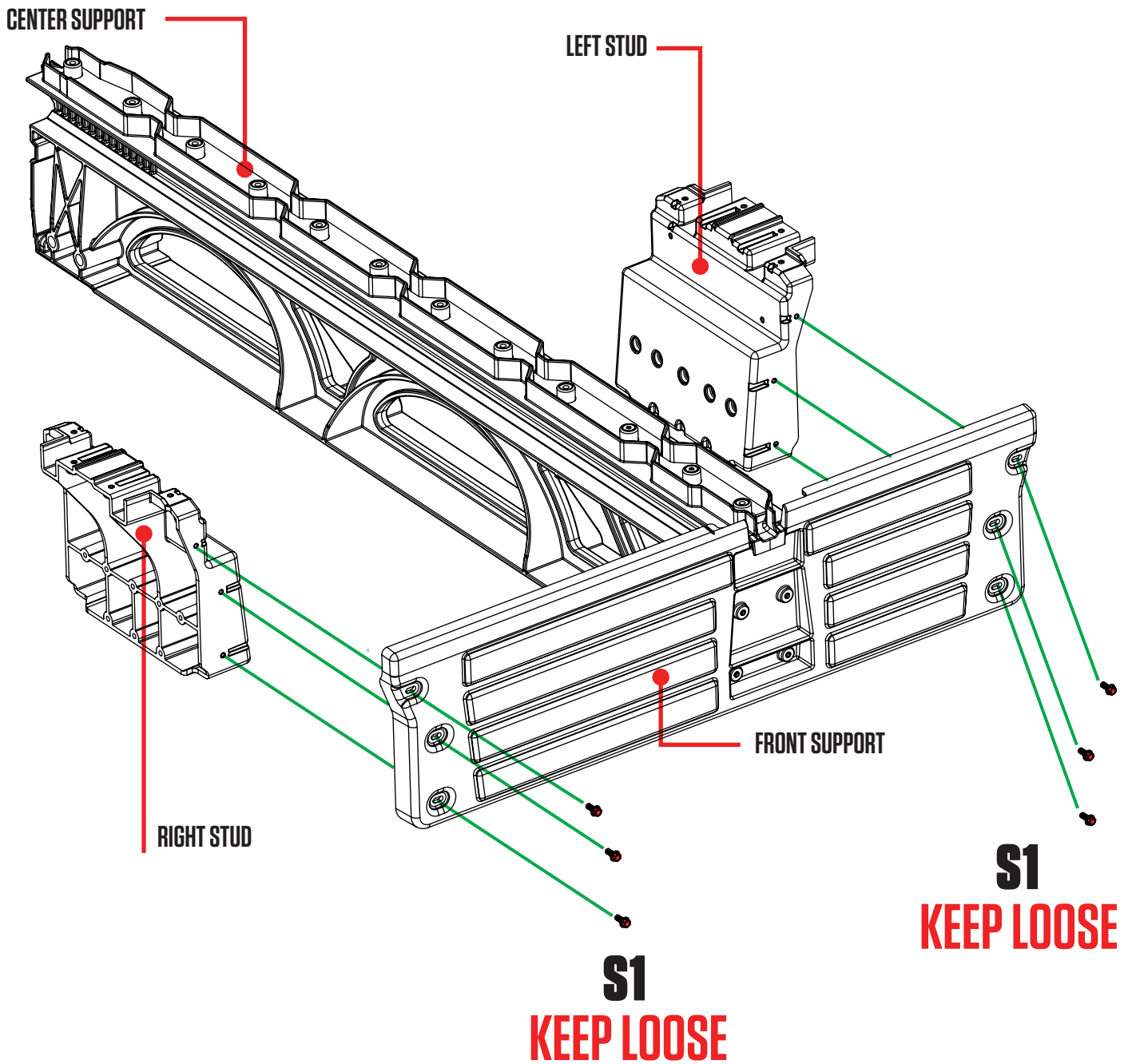
NOTE: We've provided a 3/8" socket for the S1 bolts in your; BAG PREP-MN5.



HELPFUL TIP: BAG S1, is required for most of the steps, so keep it to hand. These fittings are highlighted throughout the instructions in **RED**.

ASSEMBLY: LOOSELY ATTACH STUDS

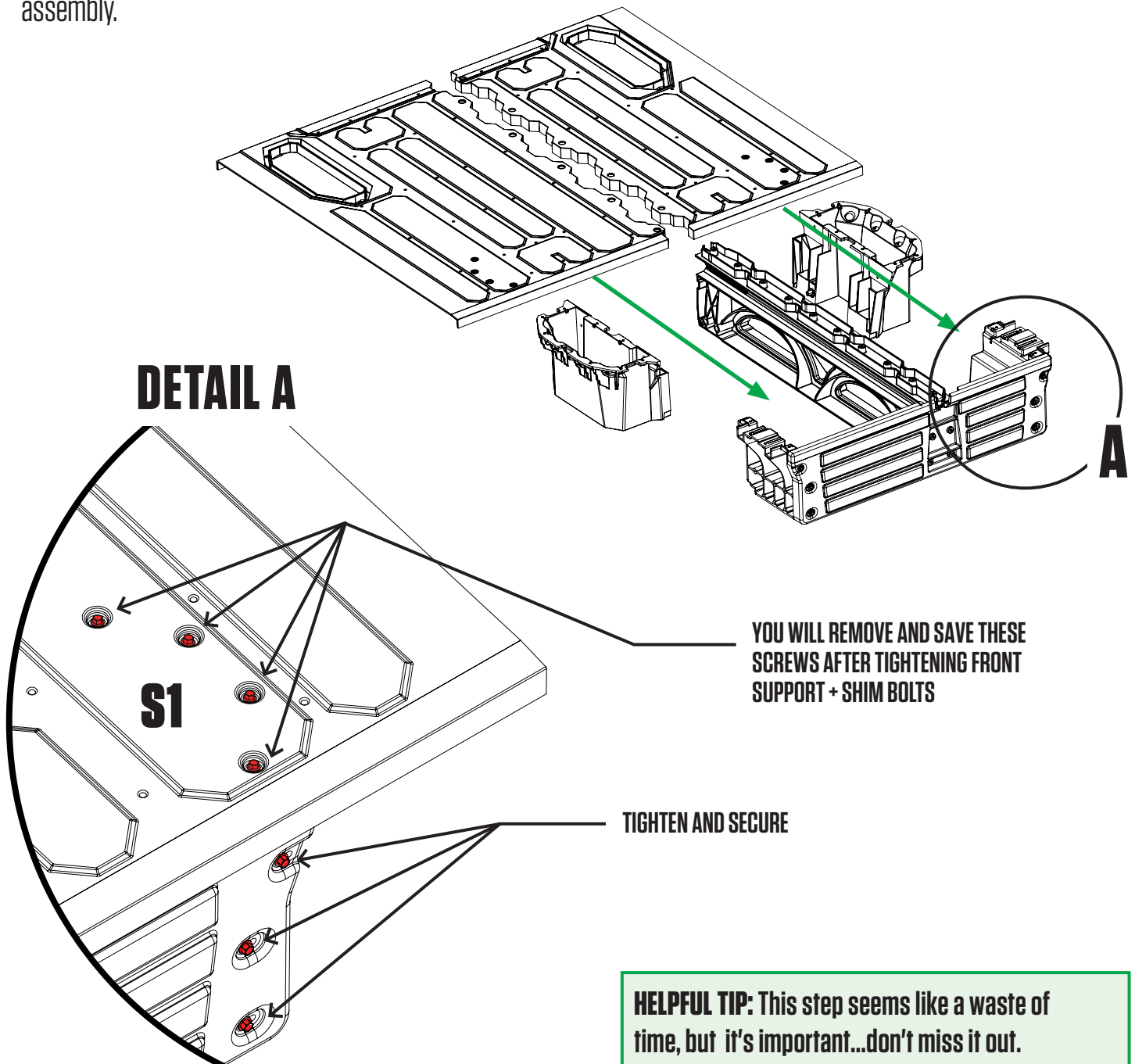
- **LOOSELY** attach studs to front support with six screws; BAG **S1**.



ASSEMBLY: ALIGN & TIGHTEN STUDS

NOTE: This step ensures the studs are properly located before tightening screws. It's important.

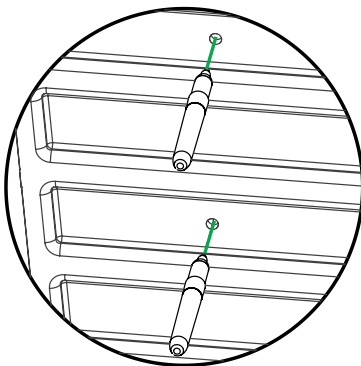
- Place storage boxes to support tailgate end of deck panels.
- Lift deck panels on center support + stud + front support assembly.
- Slide studs around L-R until deck panels are seated.
- **DETAIL A:** Loosely secure four screws to hold decks onto studs; BAG **S1**.
- Now you can securely tighten the screws that hold the studs to the front support.
- Unscrew deck from studs, remove deck panels, save screws, remove storage boxes and set aside for later assembly.



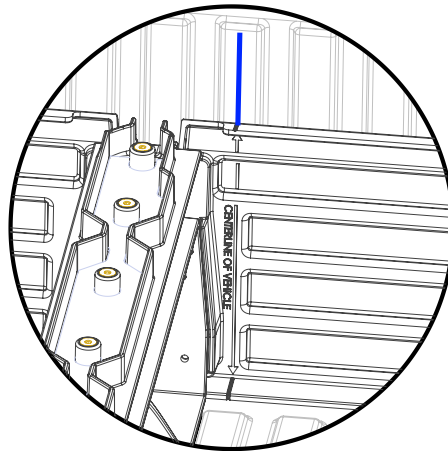
PREP BED: MARK BULKHEAD HOLES

- Temporarily place front support + center support + stud assembly in truck bed.
- **DETAIL B:** Make sure centerline arrow on front support is aligned with your centerline mark (blue).
- **DETAIL A, DETAIL C:** Mark the truck bed via the pre-drilled holes in front support.
- Remove assembly from truck bed.

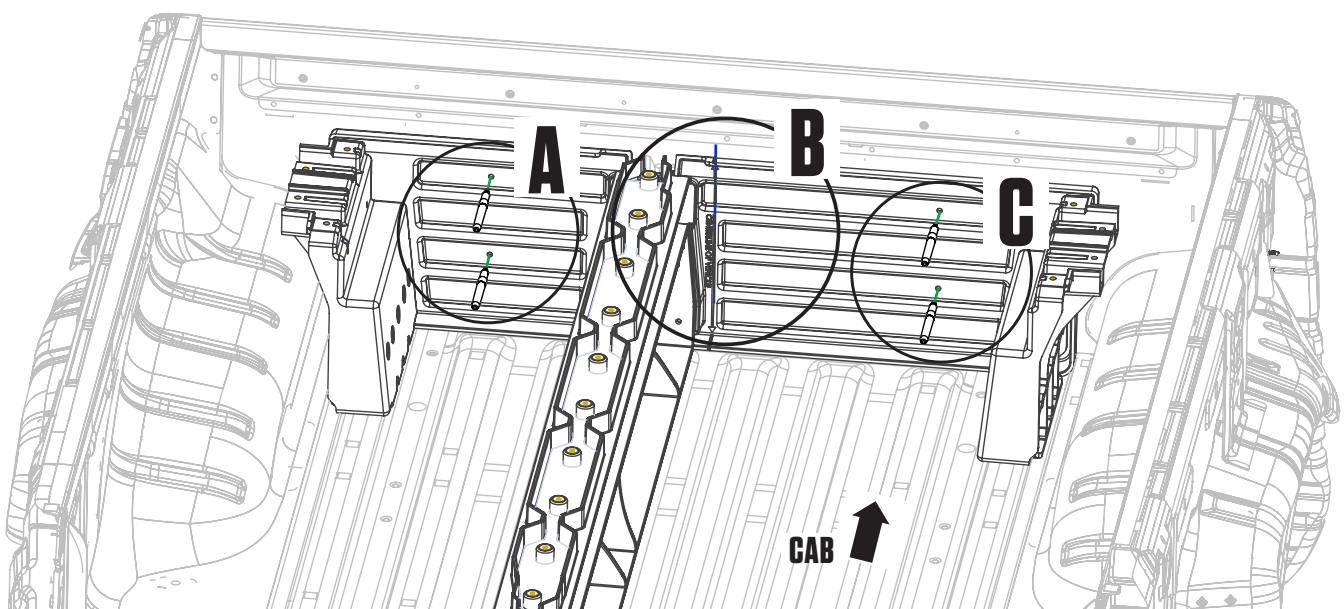
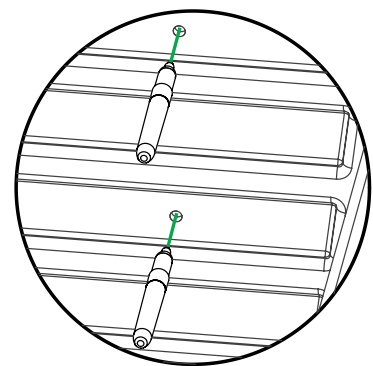
DETAIL A



DETAIL B

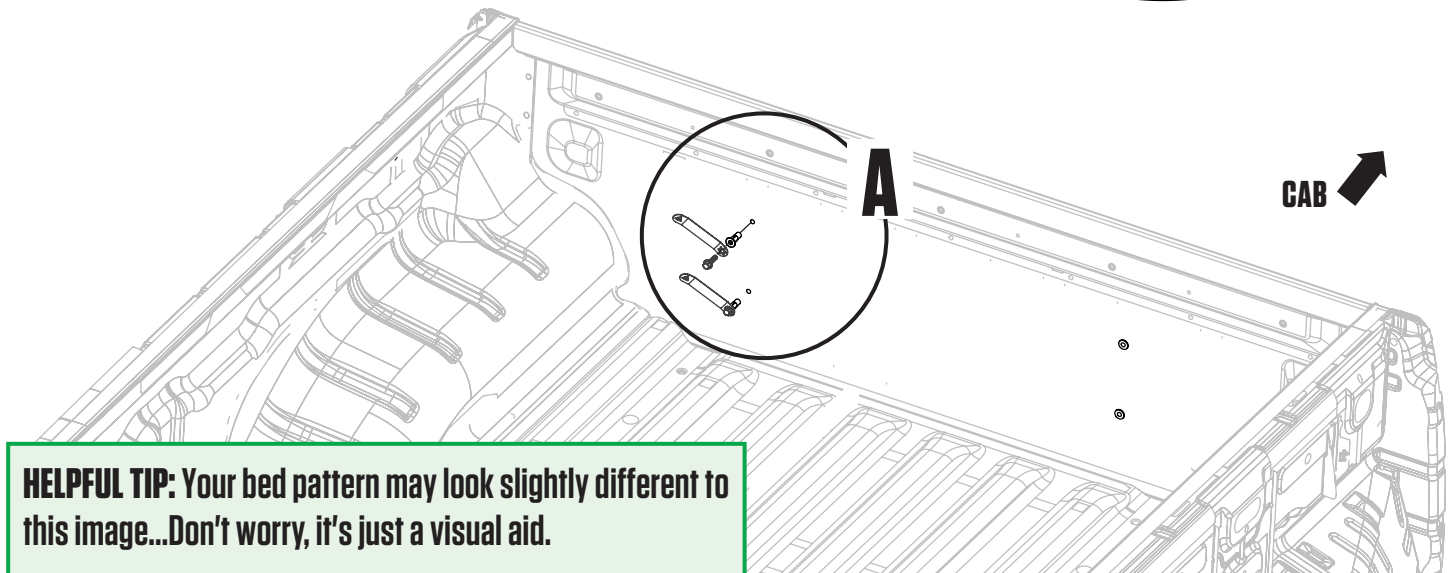
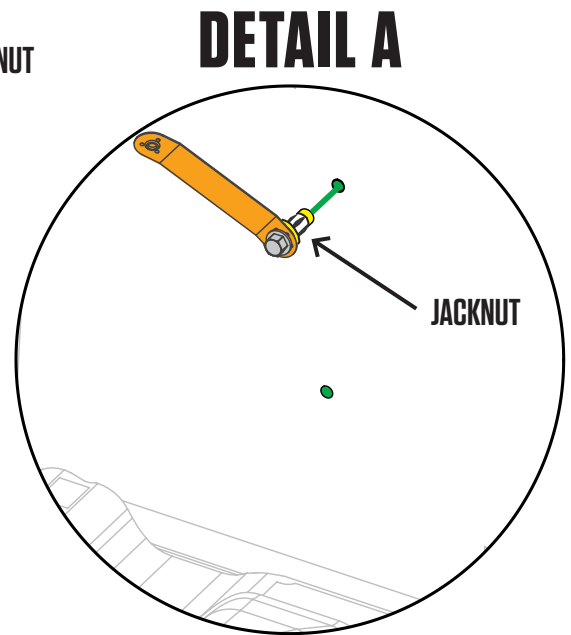
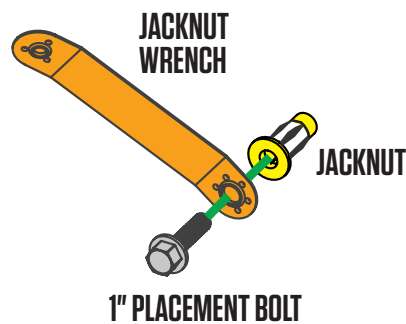


DETAIL C



PREP BED: DRILL CABSIDE HOLES

- Drill four 11mm holes at marked locations using a drill stop set to 6mm.
- **NOTE: To resist corrosion, seal the raw metal edges of the drilled holes with the self-etching primer; BAG PRIMER.**
- Install jacknut (yellow) onto jacknut wrench (orange) with 1" placement bolt; BAG PREP-MN5. **NOTE: Do not use the slightly shorter dogpoint bolts also found in your PREP BAG.**
- **DETAIL A:** Insert jacknut into hole. While holding jacknut wrench, tighten bolt with 3/8" socket until jacknut is fully crimped. Remove placement bolt.
- Repeat on the remaining three holes.

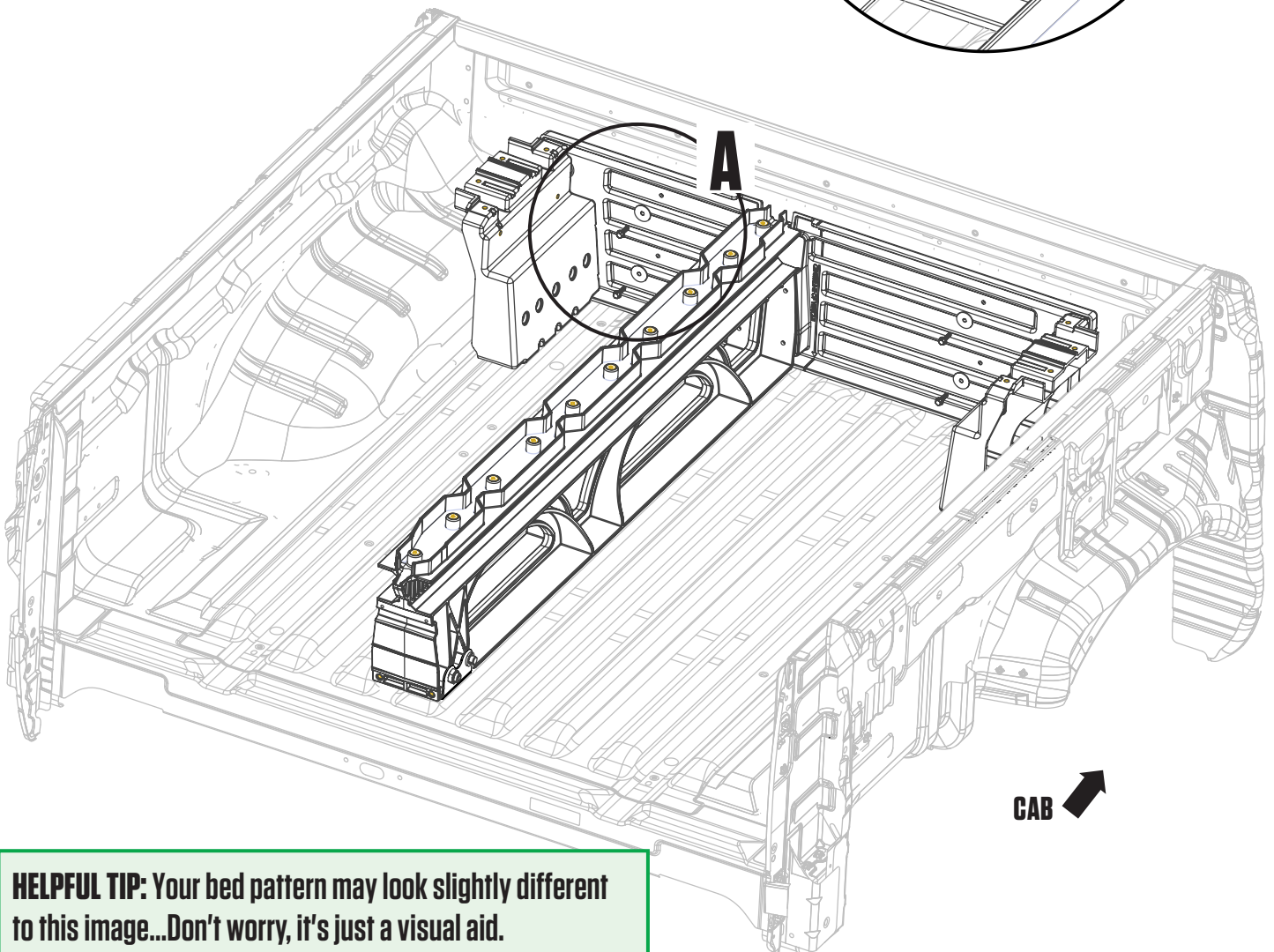
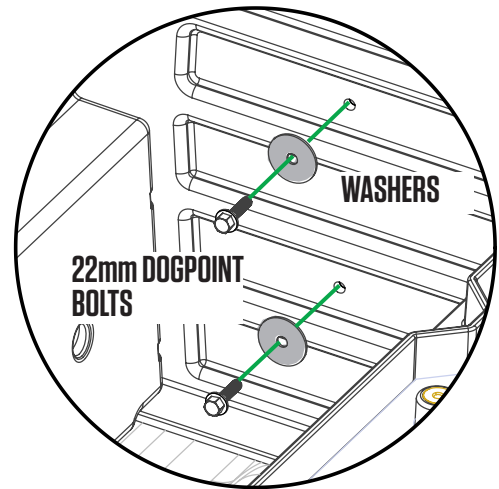


HELPFUL TIP: Your bed pattern may look slightly different to this image...Don't worry, it's just a visual aid.

INSTALL: MOUNT ASSEMBLY

- Place front support + center support + stud assembly into truck bed.
- Secure assembly using two 22mm screws and two washers; BAG PREP-MN5. **NOTE: These are the same screws as the dogpoint bolts in your S1 BAG.**
- Repeat other side.

DETAIL A



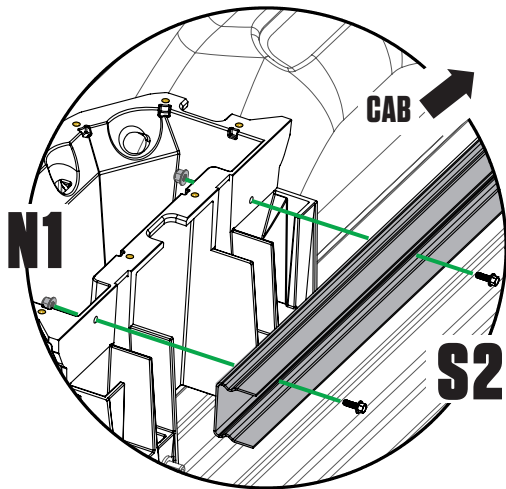
HELPFUL TIP: Your bed pattern may look slightly different to this image...Don't worry, it's just a visual aid.

INSTALL: C-CHANNEL

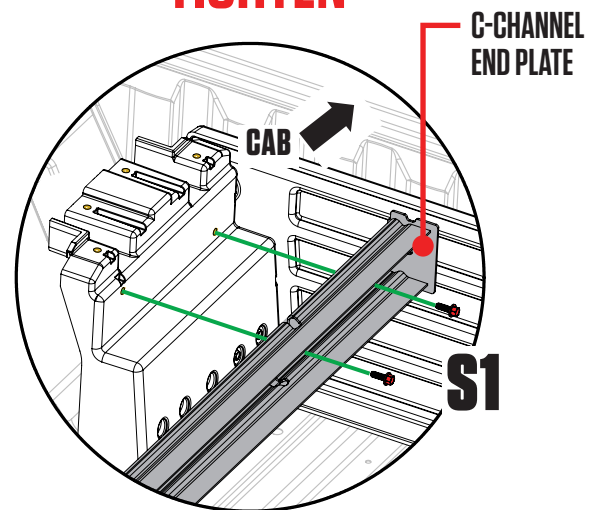
IMPORTANT: There is a LEFT and RIGHT storage box. The inside of each storage box is marked L or R.

- Loosely place left box at tailgate corner of bed.
- Place left C-channel on ledge of stud and storage box with end plate forward.
- **DETAIL A:** Insert two screws through C-channel into storage box and **loosely** fasten with nuts; BAG S2, BAG N1.
- **DETAIL B:** Attach C-channel to stud; BAG S1.
- Repeat right side.

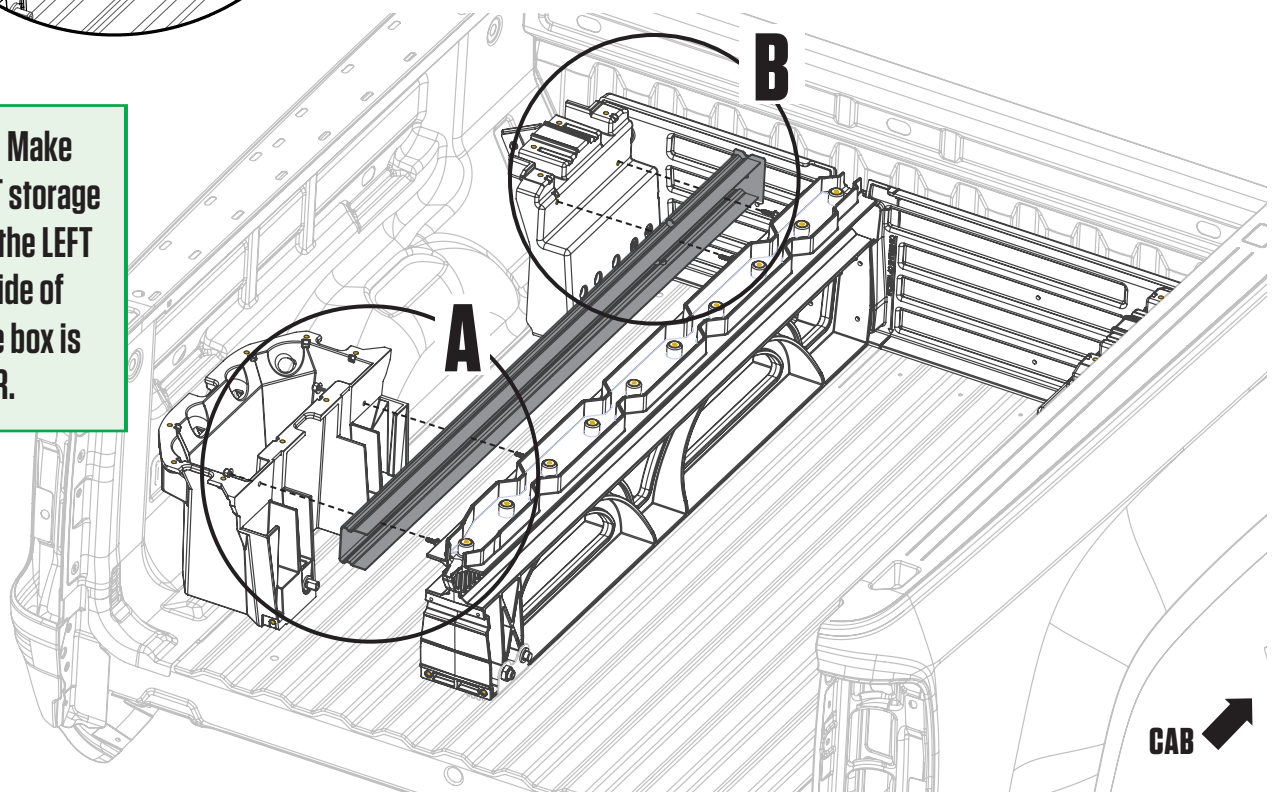
DETAIL A KEEP LOOSE



DETAIL B TIGHTEN

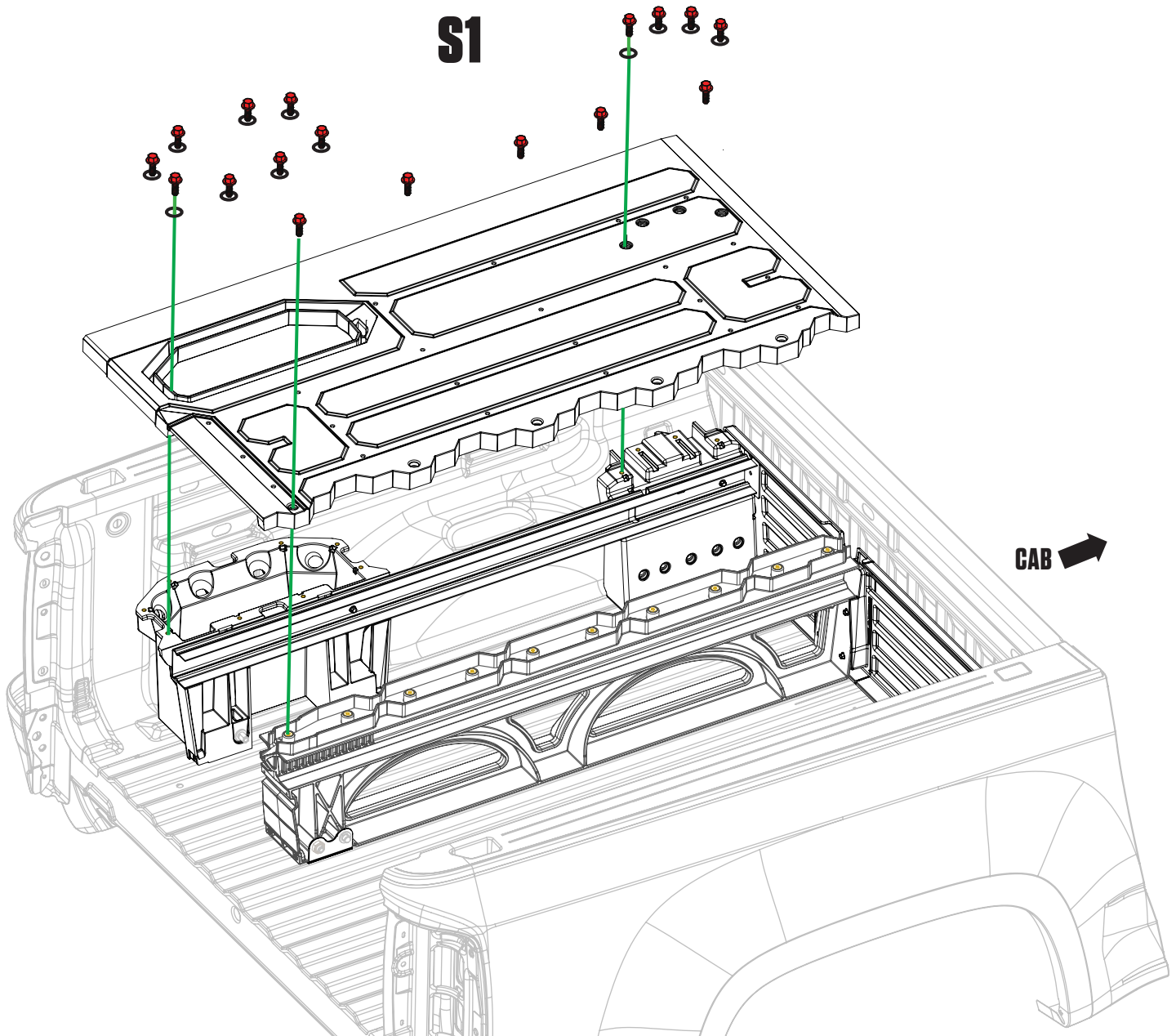


HELPFUL TIP: Make sure the LEFT storage box goes on the LEFT side. The inside of each storage box is marked L or R.



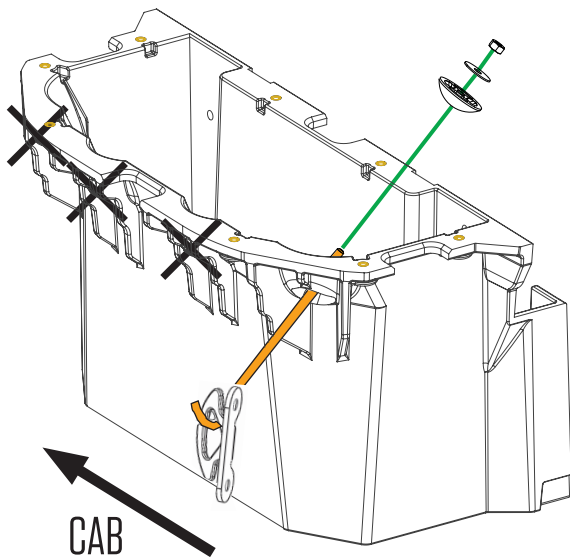
INSTALL: DECK HALVES

- Loosely place deck panel on side stud, center support and storage box.
- Shift storage box forward, rearward, L-R, as necessary to align with fully seated deck panel.
- Loosely assemble:
 - Five screws (without O-rings) through deck panel into center support; BAG **S1**.
 - Four screws with O-rings through deck panel into stud; BAG **S1**, BAG **O-RINGS**.
 - Eight screws with O-rings through deck panel into storage box; BAG **S1**, BAG **O-RINGS**.
 - Tighten all S1 screws.
 - **Securely tighten C-Channel/storage box nuts and screws.**
- Repeat other side (**make sure you don't forget to securely tighten C-Channel/storage box nuts and screws**).

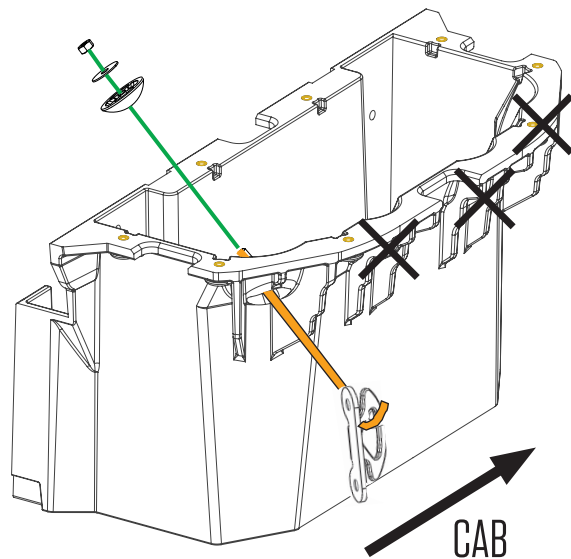


INSTALL: J-HOOKS

- **Loosely** assemble J-hook assembly in order shown through the **TAILGATE** side hole in storage box; BAG J8.
- Repeat other side.



LEFT STORAGE BOX
KEEP LOOSE

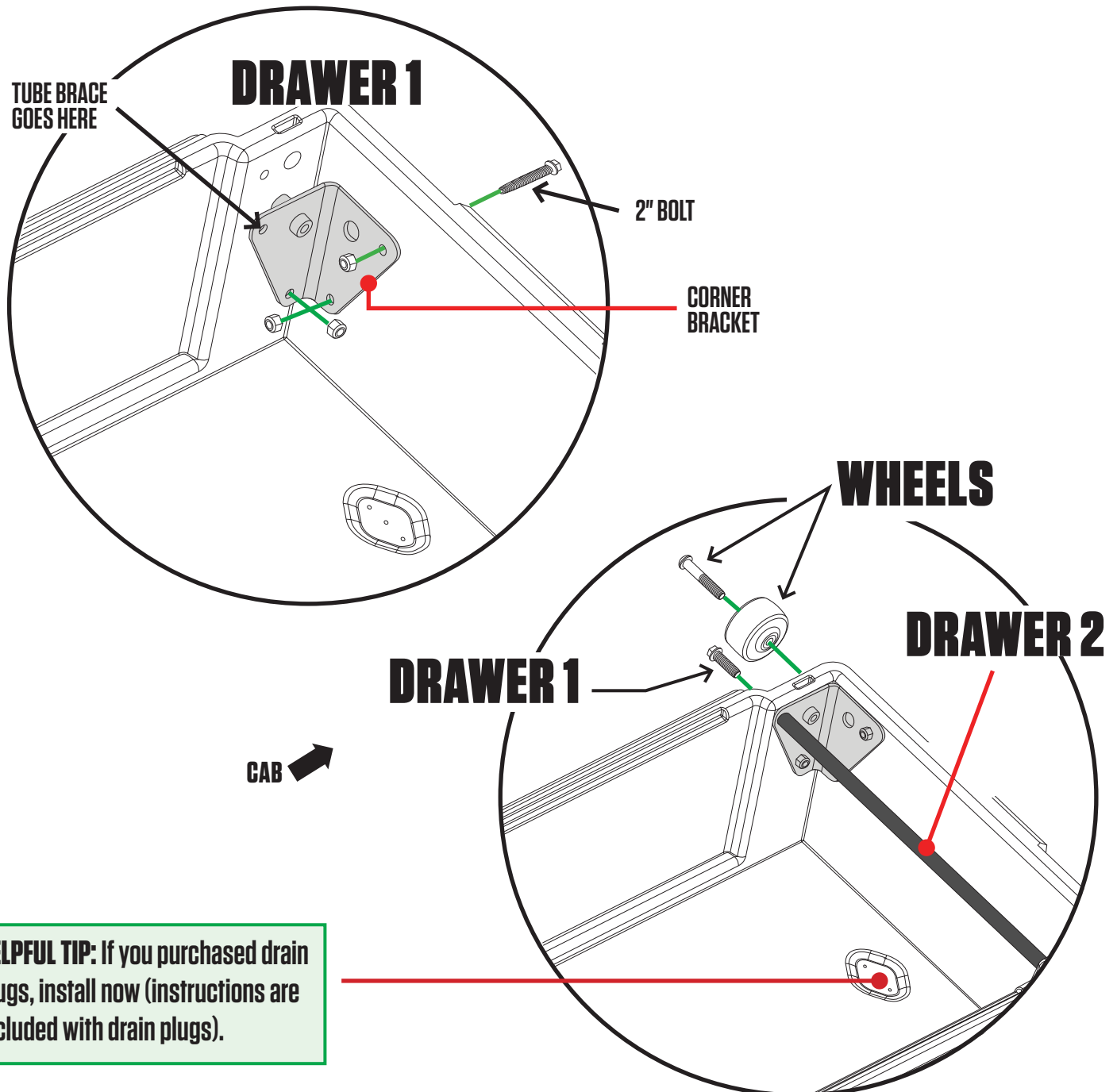


RIGHT STORAGE BOX
KEEP LOOSE

DRAWERS: BRACKETS + WHEELS

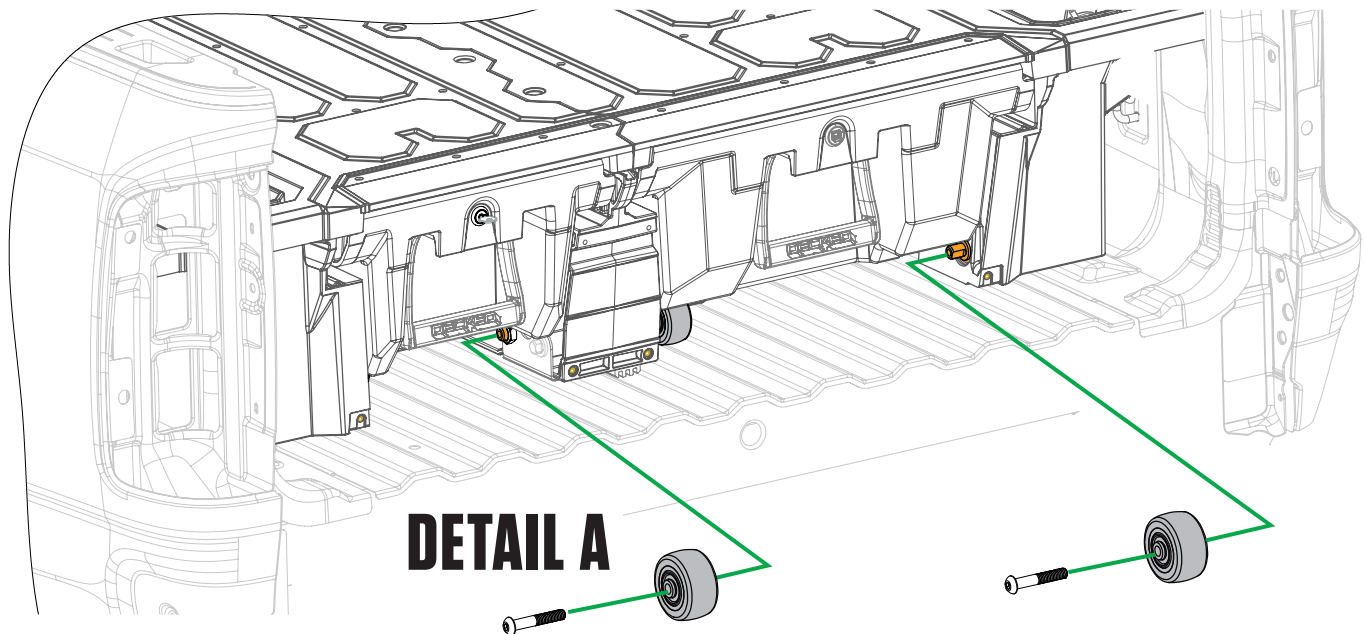
- Each drawer has a left and a right bracket. Fix brackets into place via bottom two holes in bracket with 19mm length screws. Use the 50mm length screws for the upper front wall hole in bracket; **BAG DRAWER 1**.
- Install a tube brace in each drawer with two 19mm length screws; **BAG DRAWER 1**, **BAG DRAWER 2**.
- Attach wheels onto drawer brackets with a 7/32" Hex key; **BAG WHEELS**.

NOTE: We've provided a Hex key in your BAG PREP-MN5.



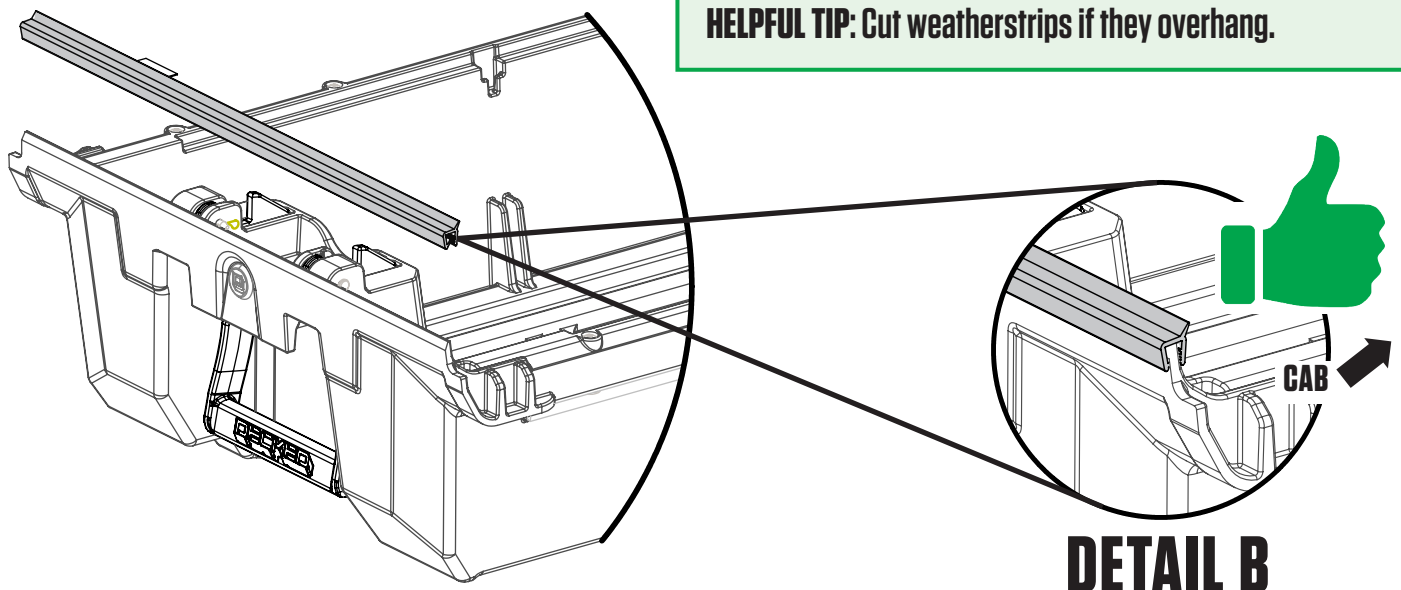
DRAWERS: AXLE WHEELS + WEATHERSTRIPS

- Slide narrow drawer into left side drawer cavity. **NOTE: It is easier to fully install narrow drawer first.**
- **DETAIL A:** Install two tailgate wheels onto narrow drawer axles with a 7/32" Hex key; **BAG WHEELS. NOTE: We've provided a Hex key in your BAG PREP-MN5.**
- Repeat with wide drawer.
- **DETAIL B:** Install weatherstrips on top of drawer edges **WITH WIPER BLADE POINTING TOWARD DRIVER.**
IMPORTANT: Incorrect installation of the weatherstrip will funnel water into drawer:



HELPFUL TIP: To make this step easier, support the drawer on a piece of material (approx 50mm) or have an assistant hold the drawer up against the deck.

HELPFUL TIP: Cut weatherstrips if they overhang.



FINAL STEPS: TORSION BRACE + BOTTLE OPENER

- Slide torsion brace under center support and tailgate storage boxes.

NOTE: Ensure the J-hooks are not tight.

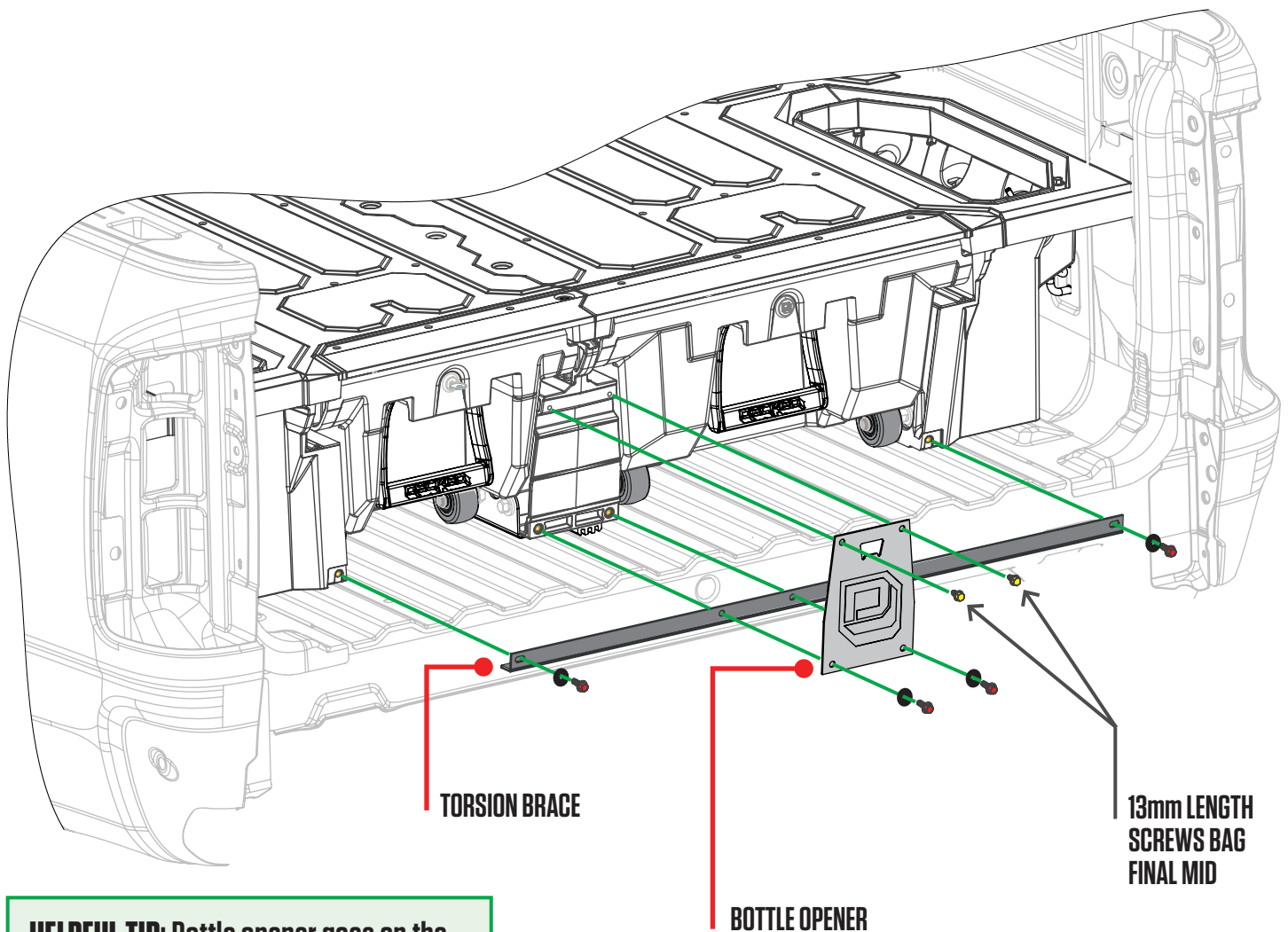
- Loosely install:

- Two screws with nylon washers through the end holes in torsion brace into storage boxes; BAG **S1**.
- Two screws with nylon washers through the bottom bottle opener holes and torsion brace into center support; BAG **S1**.
- Two 13mm length screws through upper holes in bottle opener into center support; BAG **FINAL MID**.

- Align bottle opener to edges of center support and tighten four bottle opener screws.

- Tighten end screws into tailgate storage boxes.

- **Finally, tighten the J-hooks. DO NOT OVER TIGHTEN, Make sure the gap between the sidewall of the bed and the deck is equal on both sides.**



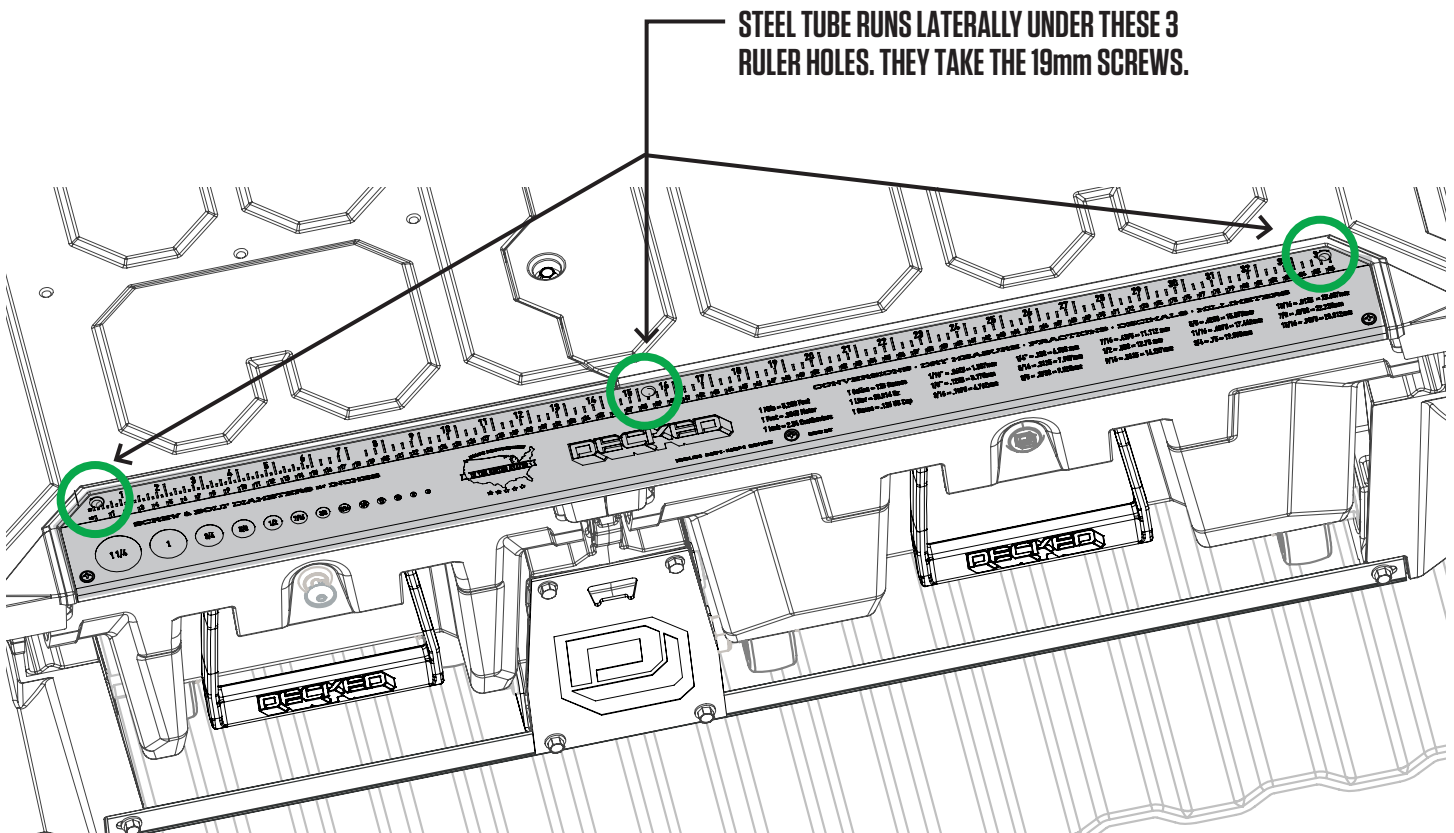
HELPFUL TIP: Bottle opener goes on the outside of torsion brace.

FINAL STEPS: THE RULER

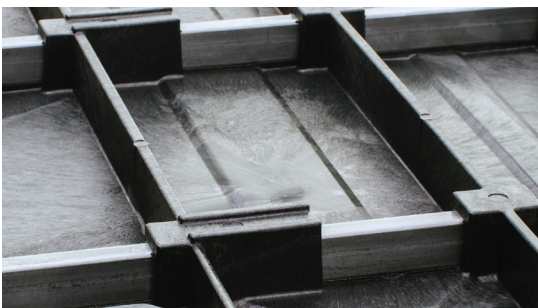
- Center ruler in embossed area and screw three 13mm length Phillips screws through the tailgate side holes directly into deck panels; BAG **FINAL MID**.

NOTE: These are small gauge screws. **DO NOT OVERTIGHTEN.**

- For the three front ruler mounting holes, drill each with a 3.5mm bit and a drill stop set to 12mm. There is a lateral steel tube that runs on the underside of the deck at this location. (SEE UNDERSIDE VIEW OF DECK).
IMPORTANT: Only drill through TOP of steel tube; do not drill through bottom of tube, otherwise you will funnel water into your drawers.
- Screw three 19mm length Phillips screws into the front ruler holes you just drilled; BAG **FINAL MID**.



UNDERSIDE VIEW OF DECK



DO: Drill through the top of steel tube ONLY.

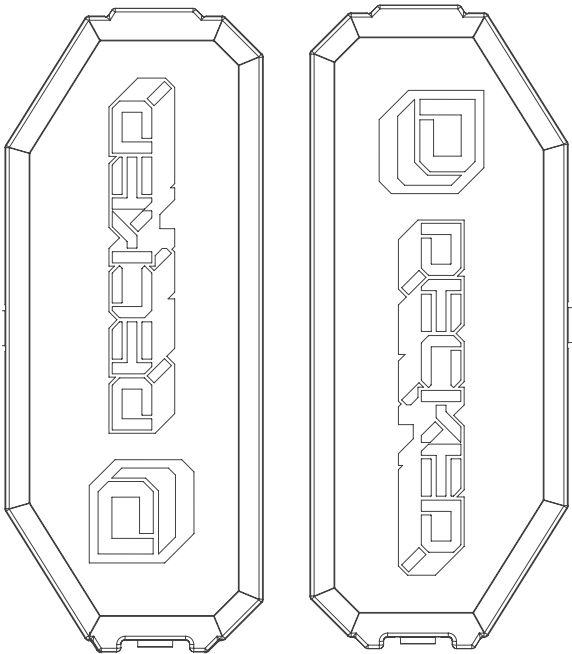
DO NOT: Drill through both sides of steel tube.



FINAL STEPS: STORAGE BOX LIDS

- **DETAIL A:** Storage box lids are left (marked L) and right (marked R) side specific.
- **DETAIL B:** Holding lid in orientation shown, insert tab on tailgate end of storage box lid and push the front end of lid down to secure. Don't be afraid to push down hard.
- Insert the lock hole plugs, unless you are fitting the optional drawer locks, in which case, install the locks now (instructions with locks); **BAG FINAL MID.**

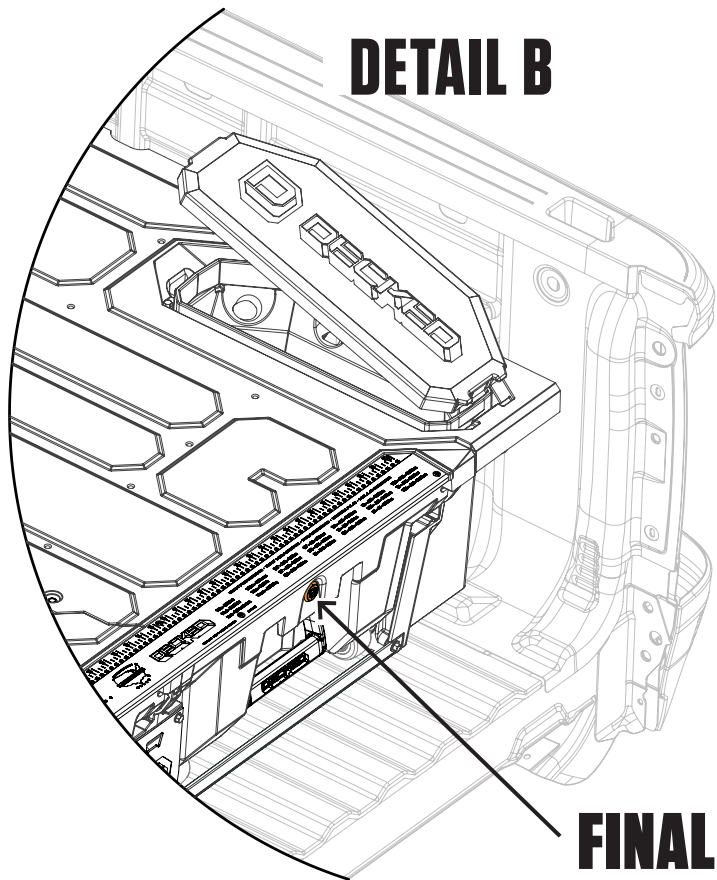
DETAIL A



LEFT STORAGE
BOX LID

RIGHT STORAGE
BOX LID

DETAIL B



FINAL MID

DECKED 3-YEAR LIMITED WARRANTY

DECKED LLC warrants to the original purchaser of this product that the product will be free from manufacturing defects in workmanship and materials for a period of three (3) years from the date of the original purchase. If within three (3) years from the original date of purchase this product fails due to defect in materials or workmanship, DECKED LLC will replace any defective part at its option.

The original purchaser must contact the DECKED LLC customer service team and provide a description of the defective part, including digital pictures if requested, with the original purchase documentation as validation of warranty coverage or have previously activated their warranty online.

This warranty DOES NOT cover or apply to:

- Damage to the product due to misuse, mishandling and abuse.
- Products not used in accordance with the manufacturer's instructions or recommendations.
- Product not assembled or installed according to manufacturer's instructions.
- Normal wear and tear.
- Undeclared damage to the system during shipping, acts of God. In addition, consequential damage and incidental damages (including lost time) such as damage to persons or property are not covered under this warranty.

REGISTER YOUR PRODUCT FOR ANY FUTURE WARRANTY NEEDS AS WELL AS TO BE INFORMED OF PRODUCT IMPROVEMENTS, ISSUES OR SOLUTIONS SPECIFIC TO YOUR MODEL [DECKED.COM/REGISTER](https://www.decked.com/register)

DECKED.COM | SERVICE@DECKED.COM | 1-208-806-0251
#DECKEDUSA | @DECKEDUSA