



Installation Instructions: MH1

HOLDEN / ISUZU COLORADO CREW / D-MAX CREW 1530mm BED LENGTH 2012-CURRENT

TOOLS REQUIRED

- Adjustable wrench (that opens to about 1")
- 1/2" open end wrench
- #2 Phillips screwdriver
- 1/4" drive ratchet
- 7/16" socket
- Electric drill
- 11mm drill bit
- 3.5mm drill bit
- Drill stop

Watch installation videos at www.DECKED.com/video

FOLLOW US:



@DECKEDUSA | #DECKEDUSA

VERSION 1

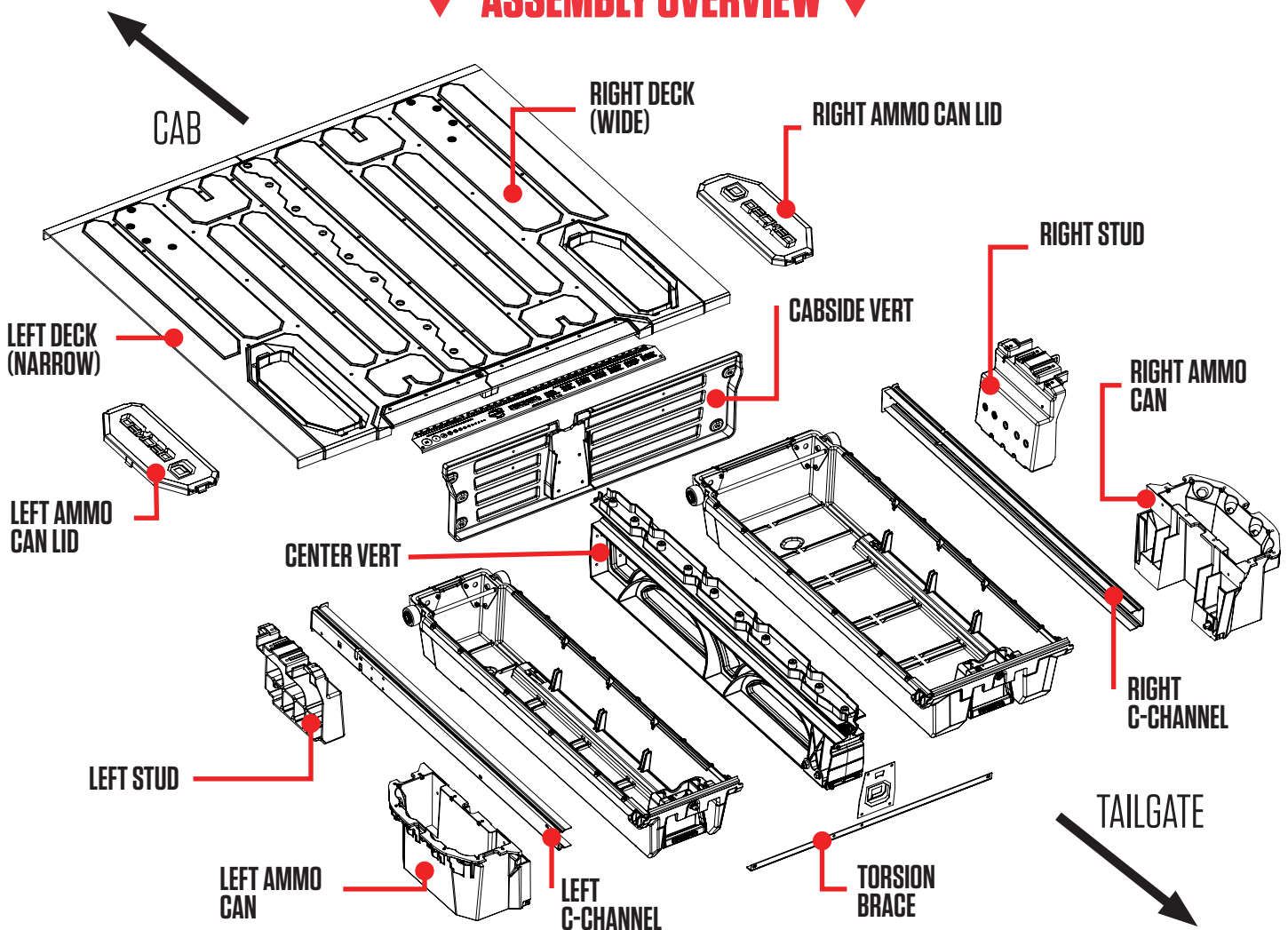
DECKED.COM | SERVICE@DECKED.COM | 1-208-806-0251

▼ HEY! TORQUE BOY: READ BEFORE YOU INSTALL DECKED ▼

1. **DON'T** over tighten bolts, get em' good 'ole hand-tight.
2. **DON'T** use power tools.
3. If you don't follow directions and do use power tools:
 - 1). Set clutch at a very low setting.
 - 2). Don't blow it.
 - 3). If you blow it, see NOTE.*
- 4). **DON'T** over tighten J-hooks during installation. Make 'em good and snug enough to keep the system from moving in the bed.
- 5). Do read these instructions closely.

NOTE* Two extra threaded inserts are included in BAG PREP-EXTRA. That's all you get.

▼ ASSEMBLY OVERVIEW ▼



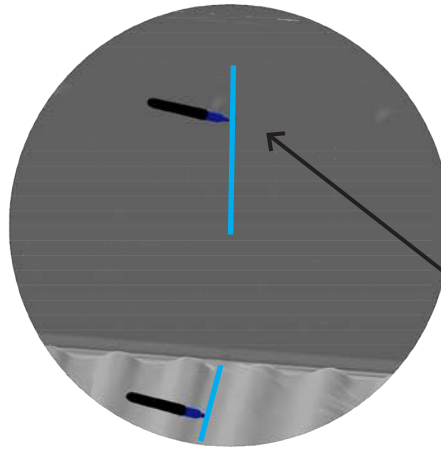
Need Help? Watch our installation videos or email us. We're happy to help!

SERVICE@DECKED.COM | DECKED.COM/VIDEO

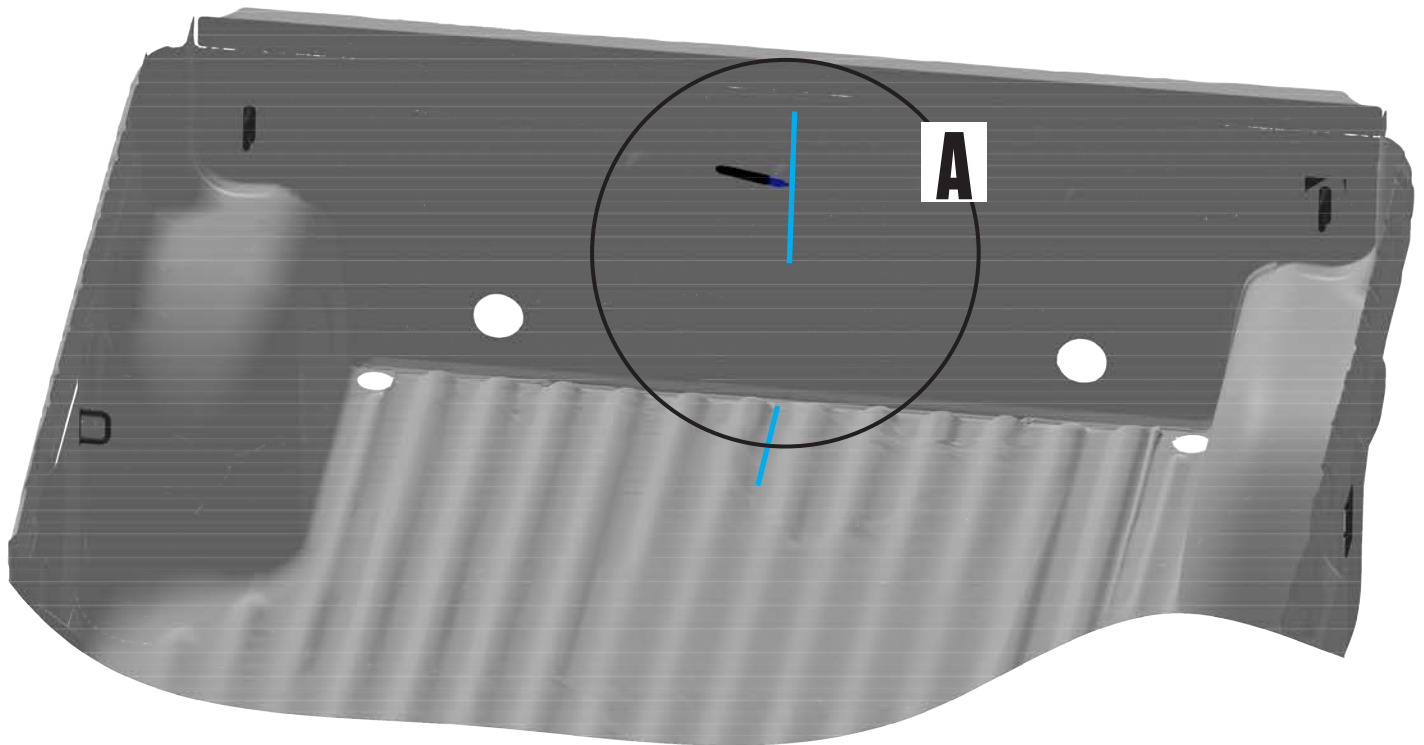
PREP BED: MARK CENTER OF BED

- Use a marking pen or wax pencil to mark the center of the bed (blue) on the depressed channel.

DETAIL A



MAKE SURE MARK SITS AT LEAST
355mm (SO YOU CAN SEE IT)



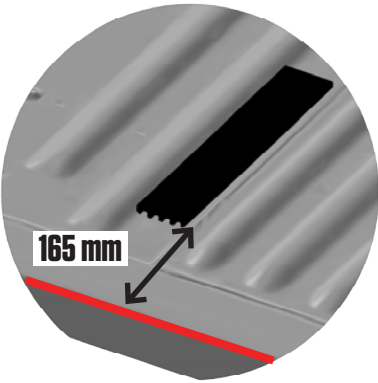
CAB ↗

PREP BED: SHIMS

- **4 WIDE SHIMS** and **2 NARROW SHIMS** loose in your hardware kit.
- Using the information below:
 - 1) Clean the bed surface where the shims will be located. Isopropyl alcohol is recommended.
 - 2) Remove tape film and apply shim and apply with pressure.

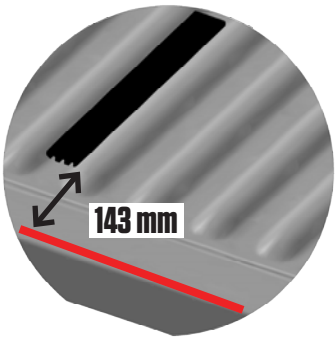
DETAIL A

Align wide shim to channel in floor as shown 165mm from rear of bed (red). Repeat on the right side of bed.



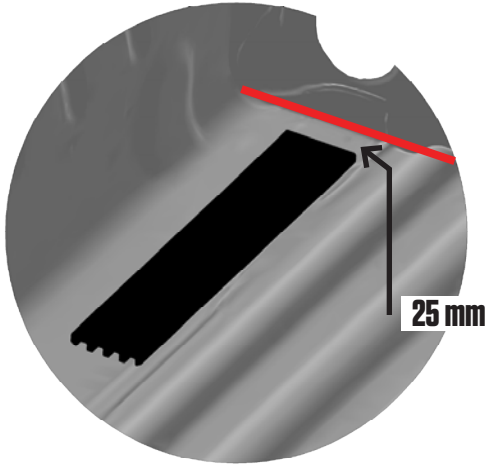
DETAIL B

Align narrow shim to channel in floor as shown 143mm from rear of bed (red).



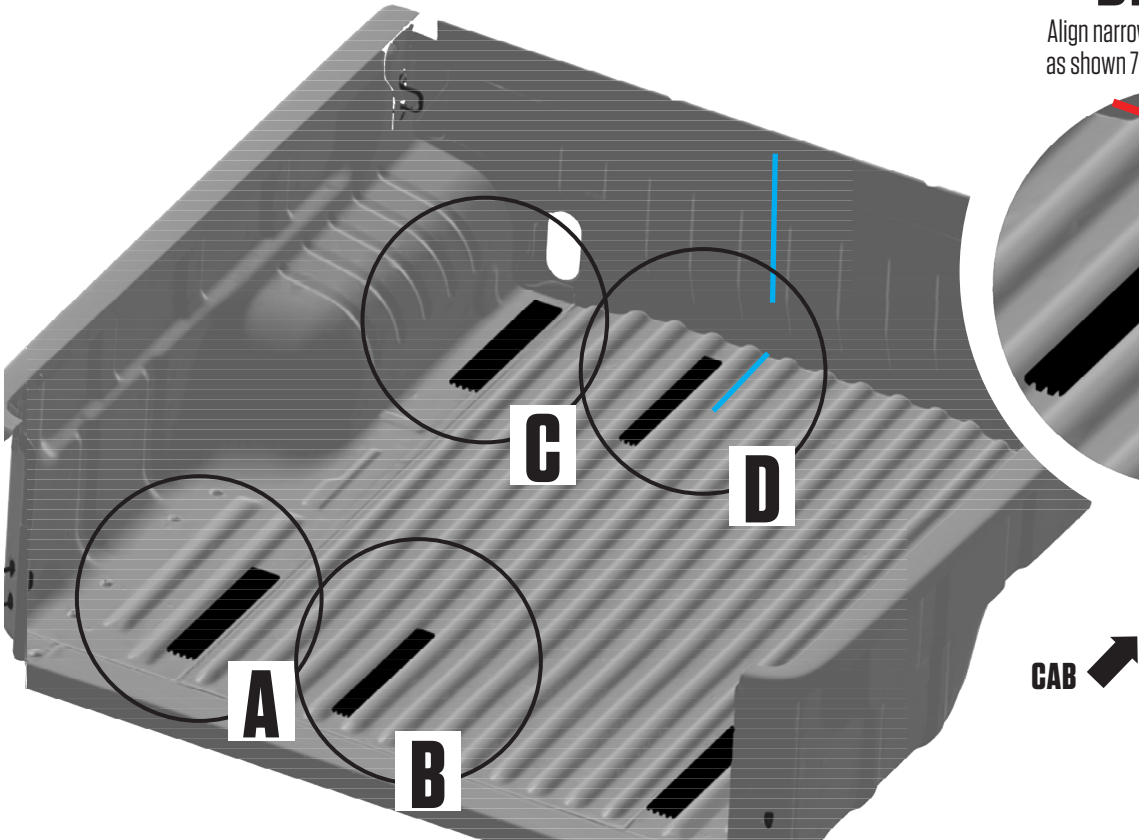
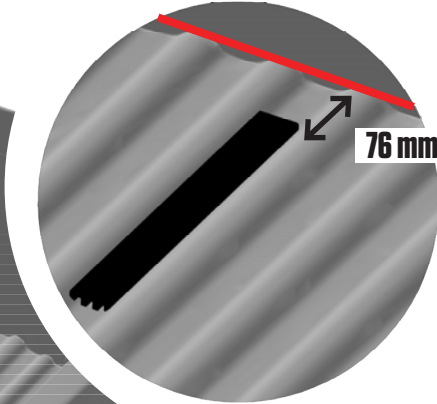
DETAIL C

Align wide shim to channel in floor as shown 25mm from cab wall (red). Repeat on the right side of bed.



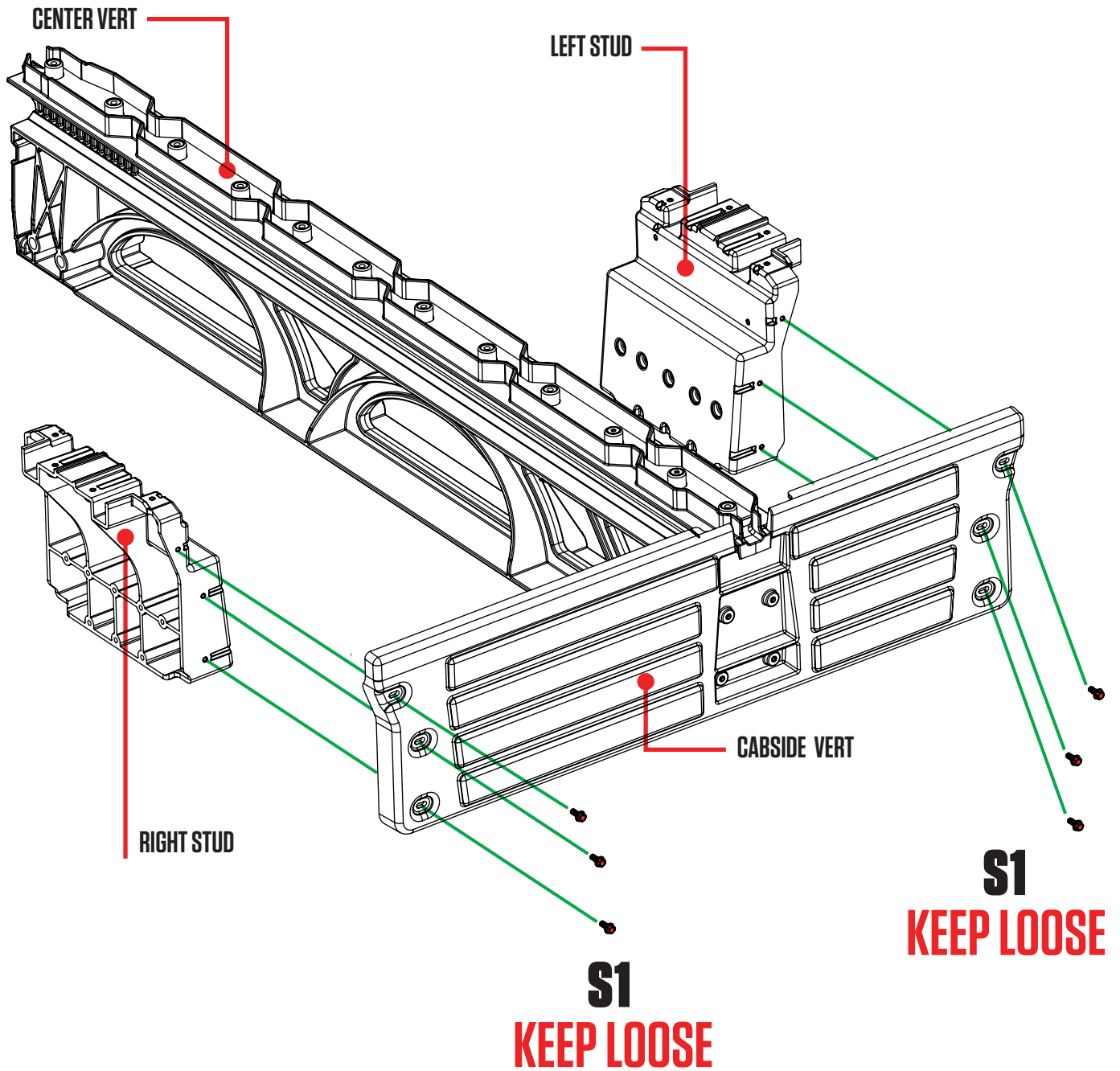
DETAIL D

Align narrow shim to channel in floor as shown 76 mm from cab wall (red).



ASSEMBLY: LOOSELY ATTACH STUDS

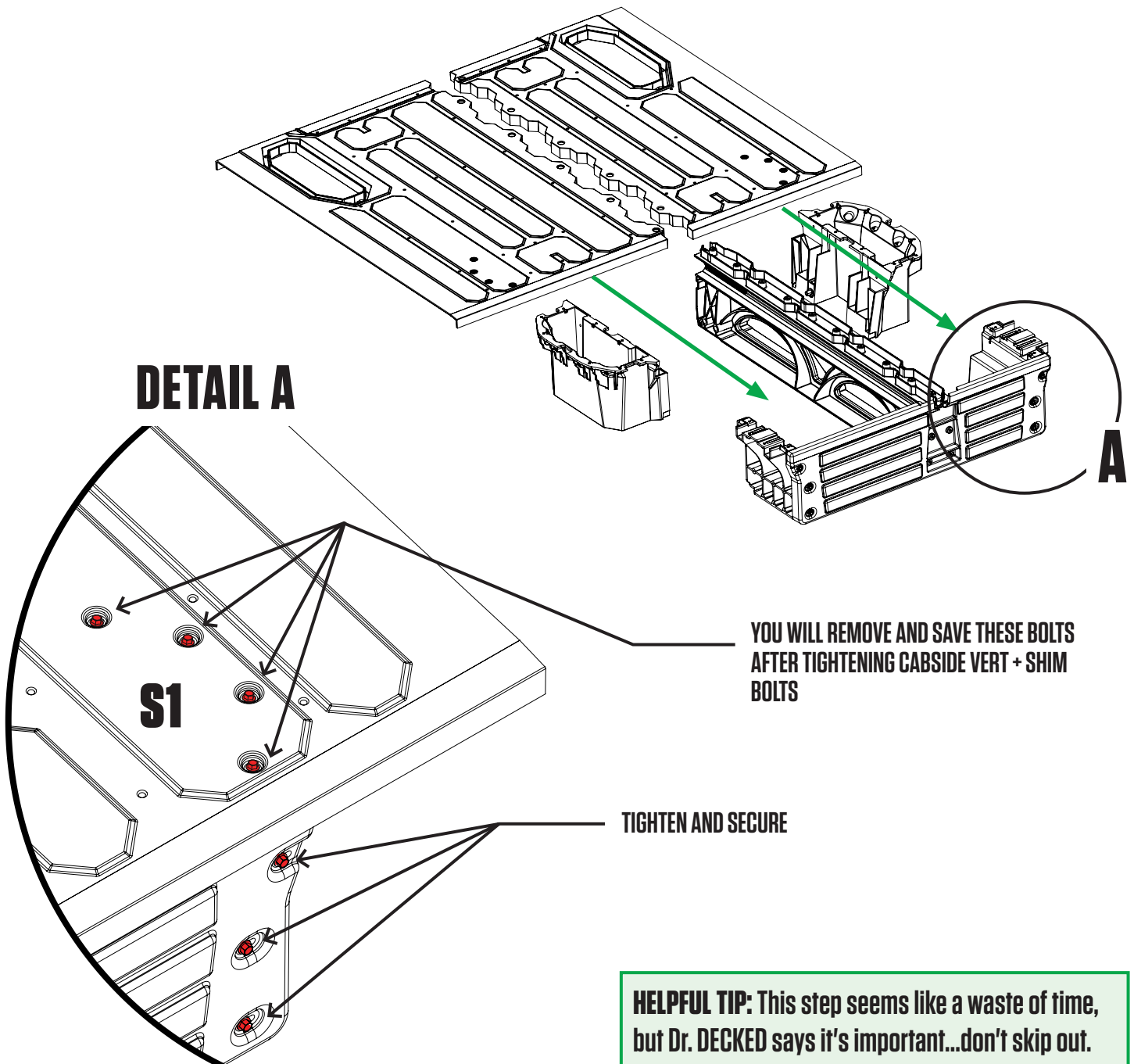
- **LOOSELY** attach studs to cabside vert with six bolts; BAG **S1**.



ASSEMBLY: ALIGN & TIGHTEN STUDS

NOTE: This step ensures the studs are properly located before tightening bolts. It's important.

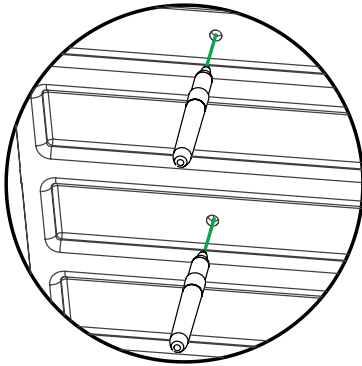
- Place ammo cans to support tailgate end of deck panels.
- Lift deck panels on center vert + stud + cabside vert assembly.
- Slide studs around L-R until deck panels are seated.
- **DETAIL A:** Loosely secure four bolts to hold decks onto studs; **BAG S1.**
- Now you can securely tighten the bolts that hold the studs to the cabside vert.
- Unbolt deck from studs, remove deck panels, save bolts, remove ammo cans and set aside for later assembly.



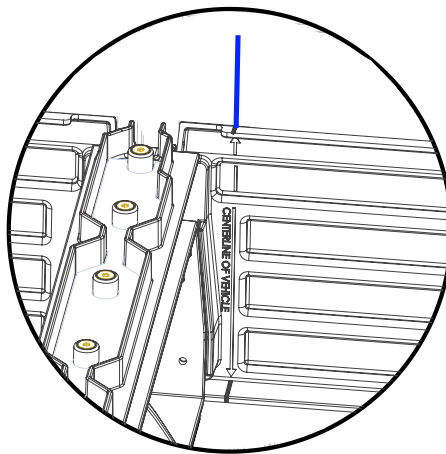
PREP BED: MARK CABSIDE HOLES

- Temporarily place cabside vert + center vert + stud assembly in truck bed.
- **DETAIL B:** Make sure centerline arrow on cabside vert is aligned with your centerline mark (blue).
- **DETAIL A, DETAIL C:** Mark the truck bed via the pre-drilled holes in cabside vert.
- Remove assembly from truck bed.

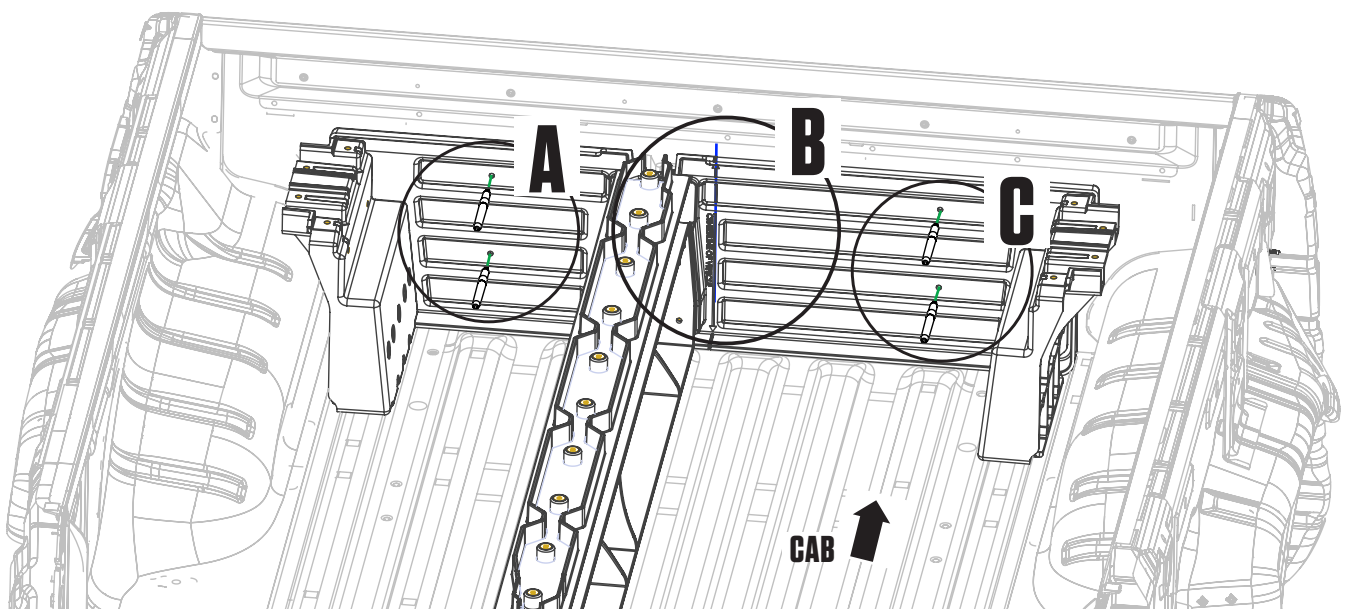
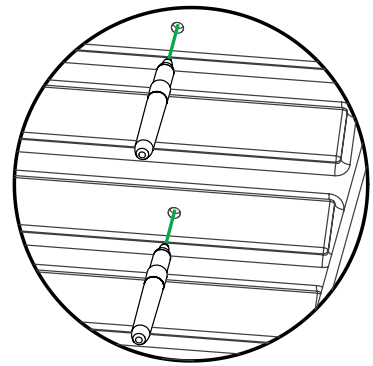
DETAIL A



DETAIL B

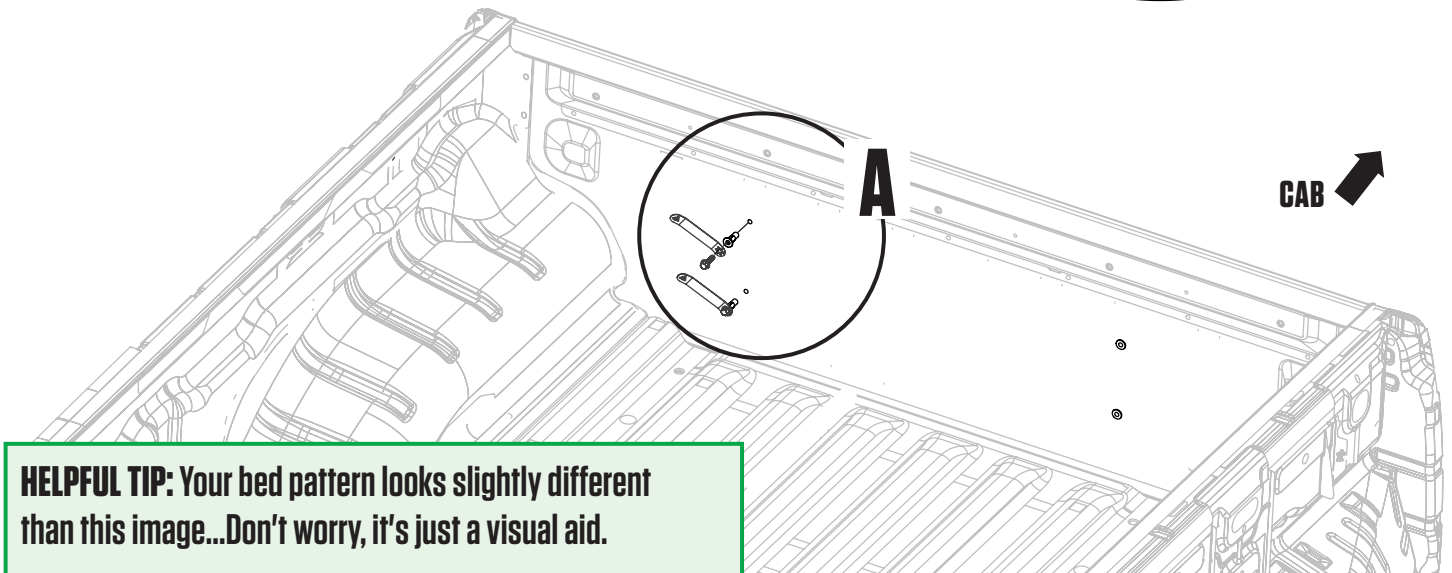
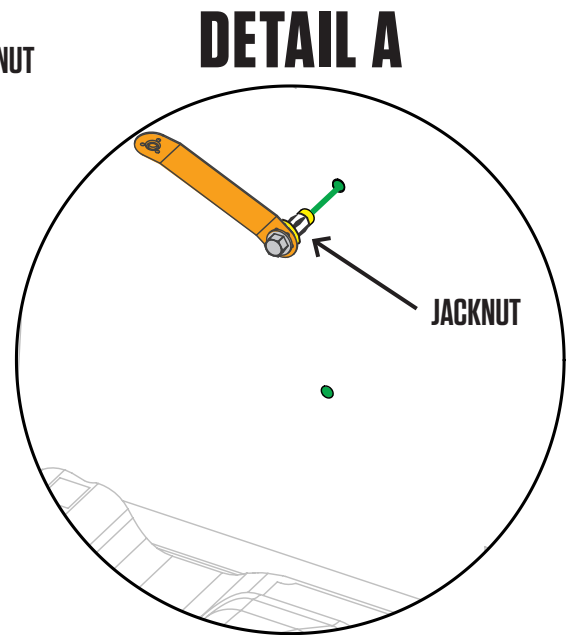
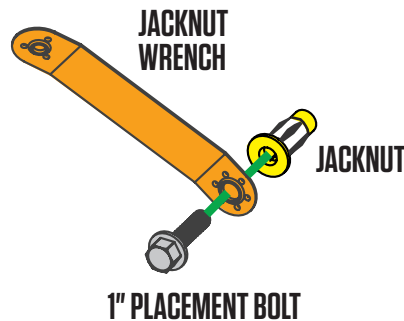


DETAIL C



PREP BED: DRILL CABSIDE HOLES

- Drill four 11mm holes at marked locations using a drill stop set to 6mm.
- **NOTE: To resist corrosion, seal the raw metal edges of the drilled holes with the self-etching primer; BAG PRIMER.**
- Install jacknut (yellow) onto jacknut wrench (orange) with 1" placement bolt; BAG PREP-MH1. **NOTE: Do not use the slightly shorter dogpoint bolts also found in your PREP BAG.**
- **DETAIL A:** Insert jacknut into hole. While holding jacknut wrench, tighten bolt with 3/8" socket until jacknut is fully crimped. Remove placement bolt.
- Repeat on the remaining three holes.

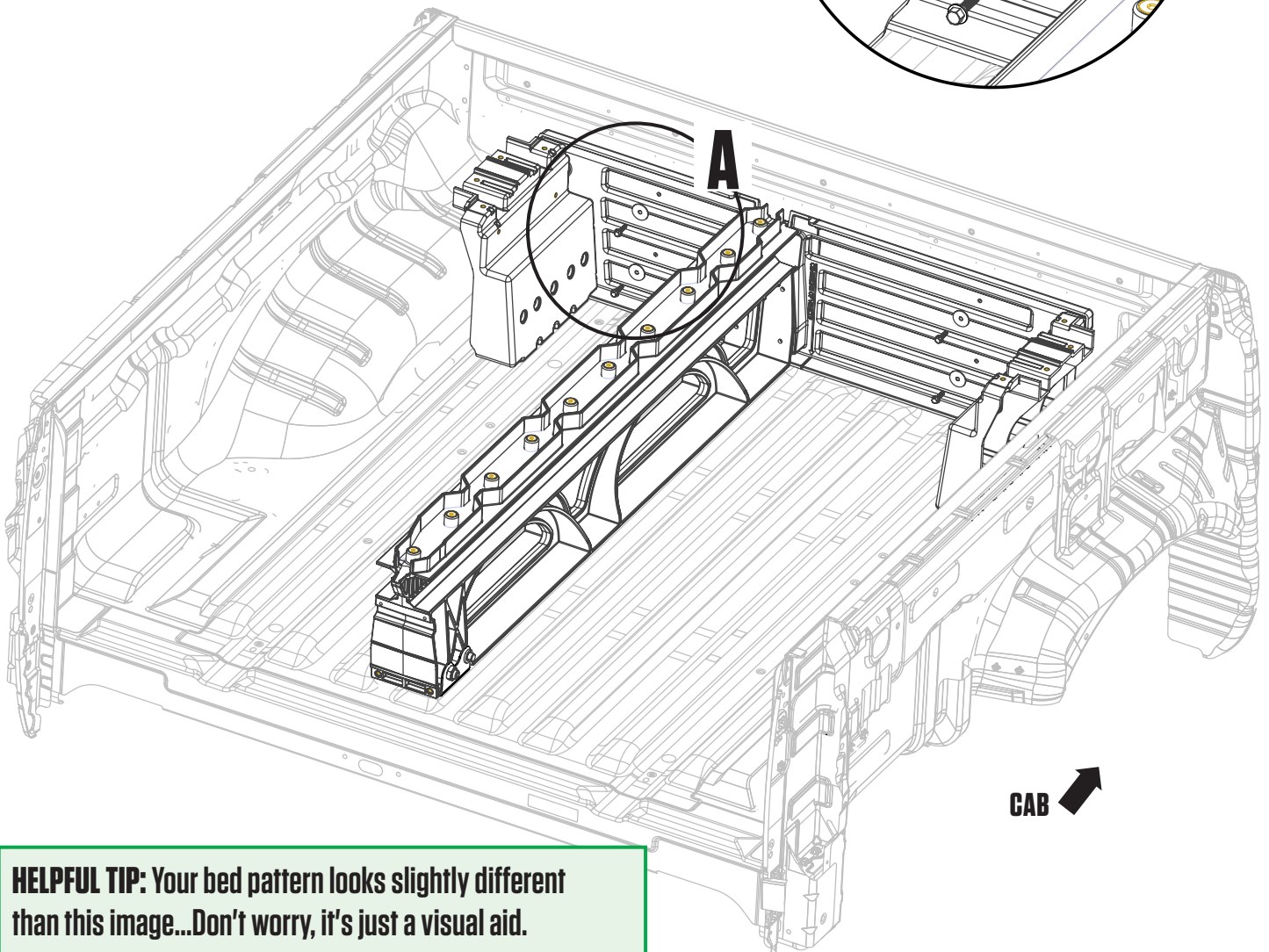
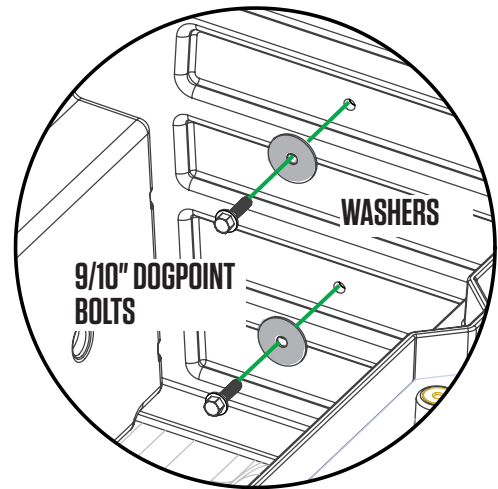


HELPFUL TIP: Your bed pattern looks slightly different than this image...Don't worry, it's just a visual aid.

INSTALL: MOUNT ASSEMBLY

- Place cabside vert + center vert + stud assembly in truck bed.
- Secure assembly using two 9/10" bolts and two washers; BAG PREP-MH1. **NOTE: These are the same bolts as the dogpoint bolts in your S1 BAG.**
- Repeat other side.

DETAIL A



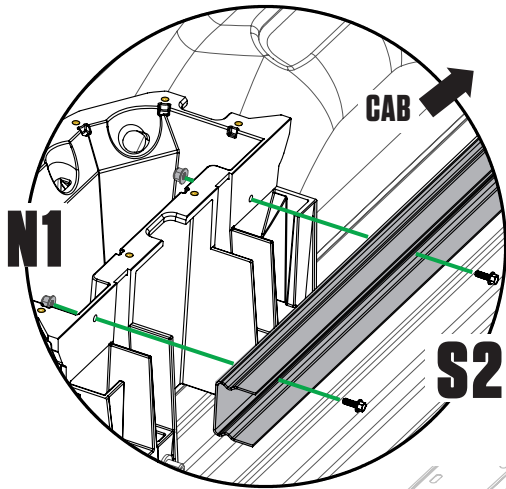
HELPFUL TIP: Your bed pattern looks slightly different than this image...Don't worry, it's just a visual aid.

INSTALL: C-CHANNEL

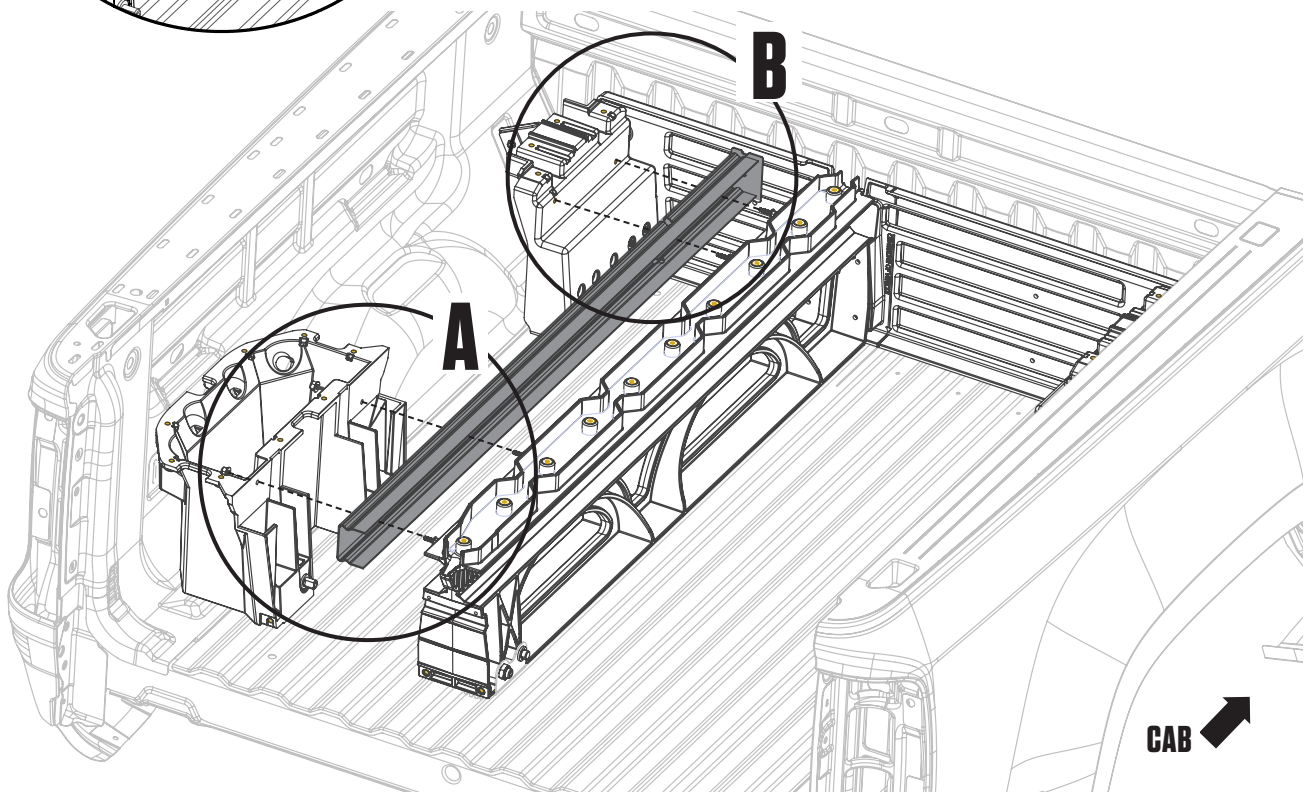
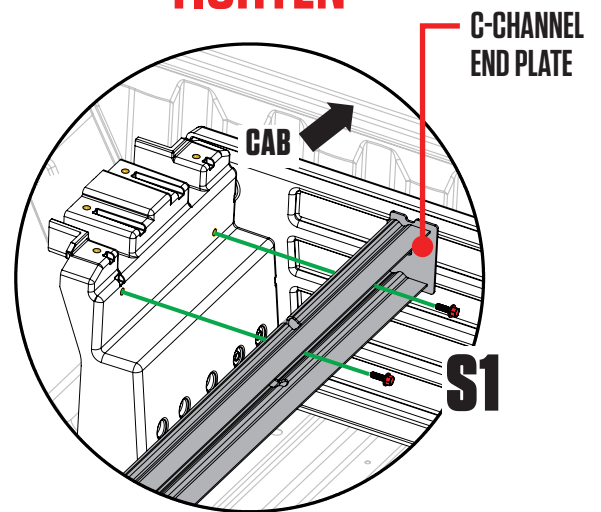
IMPORTANT: There is a left and right ammo can. The inside of each ammo can is marked L or R.

- Loosely place left side ammo can at tailgate corner of bed.
- Place left side C-channel on ledge of stud and ammo can with end plate cabside.
- **DETAIL A:** Insert two bolts through C-channel into ammo can and **loosely** fasten with nuts; BAG S2, BAG N1.
- **DETAIL B:** Attach C-channel to stud; BAG S1.
- Repeat right side.

DETAIL A KEEP LOOSE

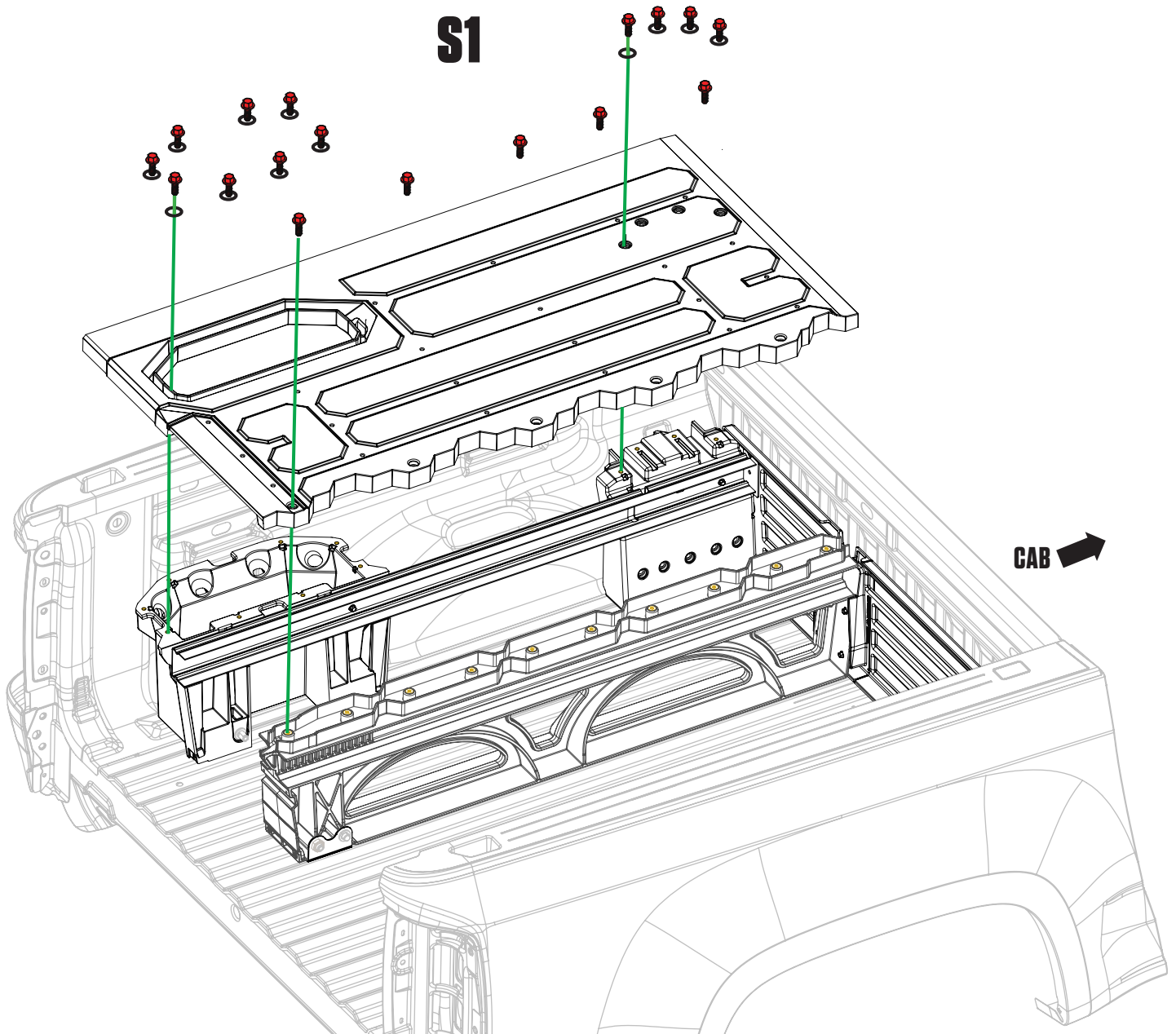


DETAIL B TIGHTEN



INSTALL: DECK HALVES

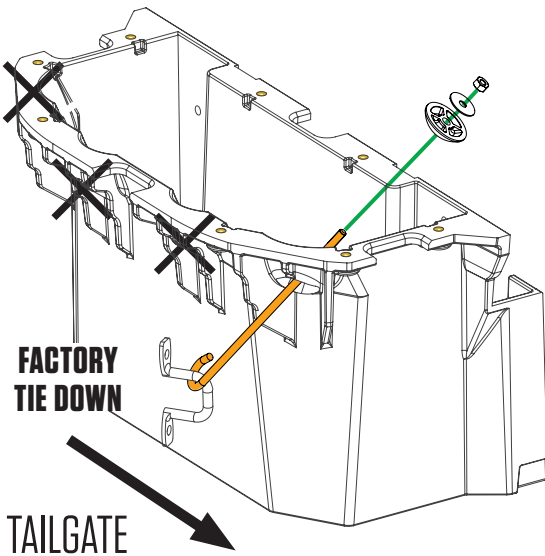
- Loosely place deck panel on side stud, center vert and ammo can.
- Shift ammo can forward, rearward, L-R, as necessary to align with fully seated deck panel.
- Loosely assemble:
 - Five bolts (without O-rings) through deck panel into center vert; BAG **S1**.
 - Four bolts with O-rings through deck panel into stud; BAG **S1**, BAG **O-RINGS**.
 - Eight bolts with O-rings through deck panel into ammo can; BAG **S1**, BAG **O-RINGS**.
 - Tighten all S1 bolts.
 - **Securely tighten C-Channel/ammo can nuts and bolts.**
- Repeat other side (**make sure you don't forget to securely tighten C-Channel/ammo can nuts and bolts**).



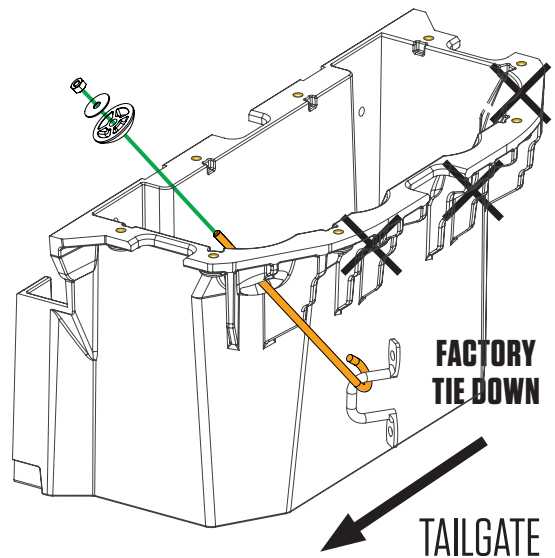
INSTALL: J-HOOKS

- **Loosely** assemble J-hook assembly in order shown through the **TAILGATE** side hole in ammo can; **BAG J8**.
- Repeat other side.

↑
CAB



LEFT AMMO CAN
KEEP LOOSE

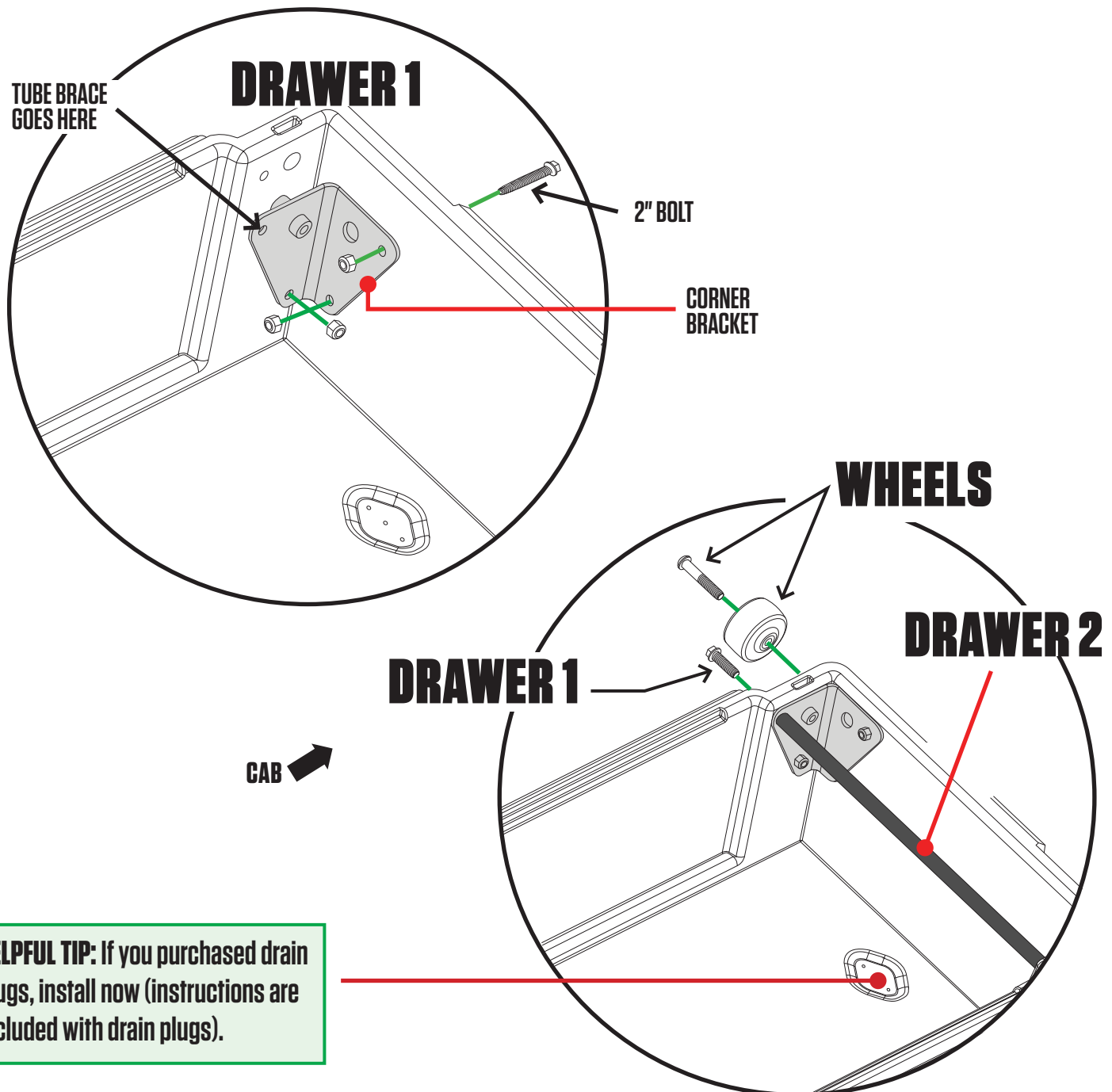


RIGHT AMMO CAN
KEEP LOOSE

DRAWERS: BRACKETS + WHEELS

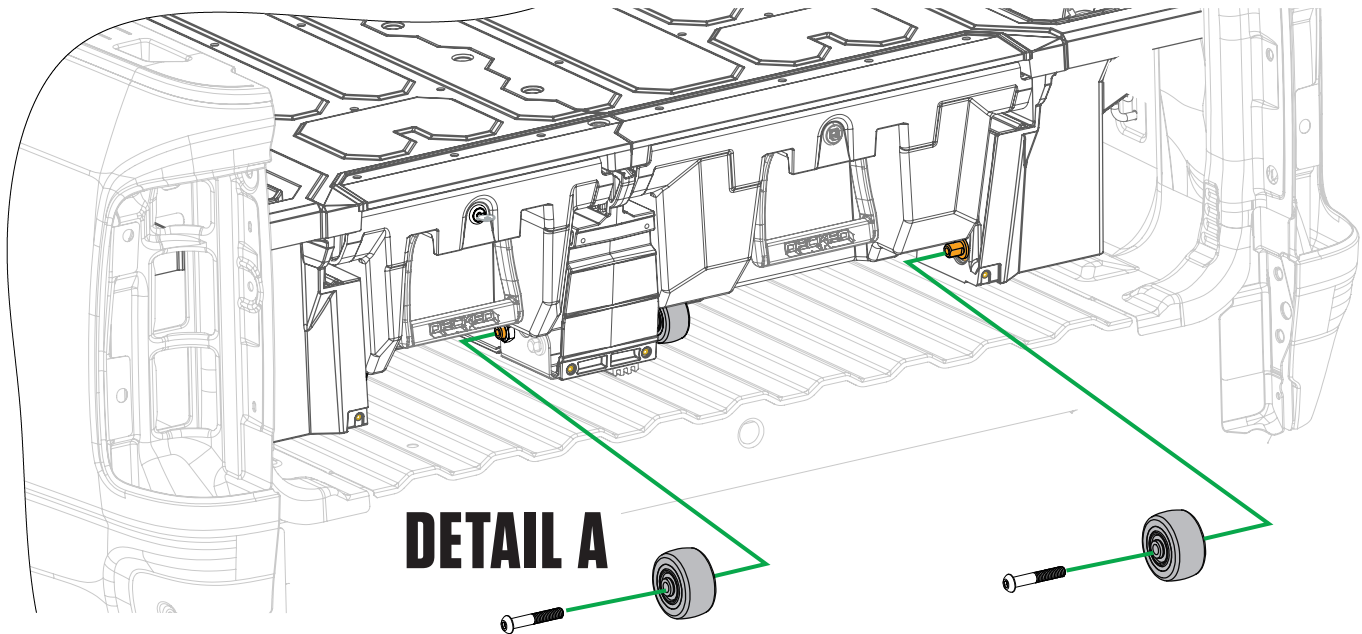
- Each drawer has a left and a right bracket. Bolt brackets into place via bottom two holes in bracket with 3/4" length bolts. Use the 2" length bolt for the upper cabside wall hole in bracket; **BAG DRAWER 1.**
- Install a tube brace in each drawer with two 3/4" length bolts; **BAG DRAWER 1, BAG DRAWER 2.**
- Attach wheels onto drawer brackets with a 7/32" Allen key; **BAG WHEELS.**

NOTE: We've provided an Allen key in your BAG PREP-MH1.



DRAWERS: AXLE WHEELS + WEATHERSTRIPS

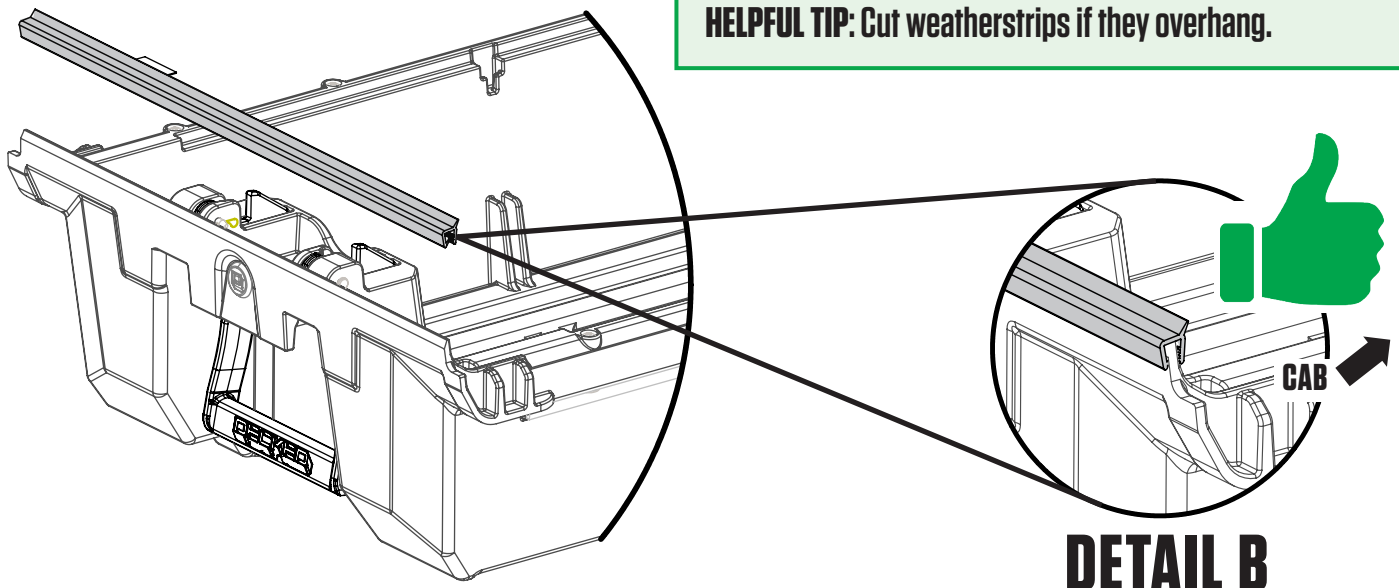
- Slide narrow drawer into left side drawer cavity. **NOTE: It is easier to fully install narrow drawer first.**
- **DETAIL A:** Install two tailgate wheels onto narrow drawer axles with a 7/32" Allen key; **BAG WHEELS.**
NOTE: We've provided an Allen key in your BAG PREP-MH1.
- Repeat with wide drawer.
- **DETAIL B:** Install weatherstrips on top of drawer edges **WITH WIPER BLADE POINTING TOWARD DRIVER.**
IMPORTANT: Facing the weatherstrip the wrong way will funnel water into drawer: BAD!



DETAIL A

HELPFUL TIP: To make this step easier, jam a 50mm piece of material under drawer, or get your pal to pinch the drawer up to the deck to give you better leverage.

HELPFUL TIP: Cut weatherstrips if they overhang.



DETAIL B

FINAL STEPS: TORSION BRACE + BOTTLE OPENER

- Slide torsion brace under center vert and tailgate ammo cans.

NOTE: If you jumped the gun and tightened the J-hooks when installing, loosen them.

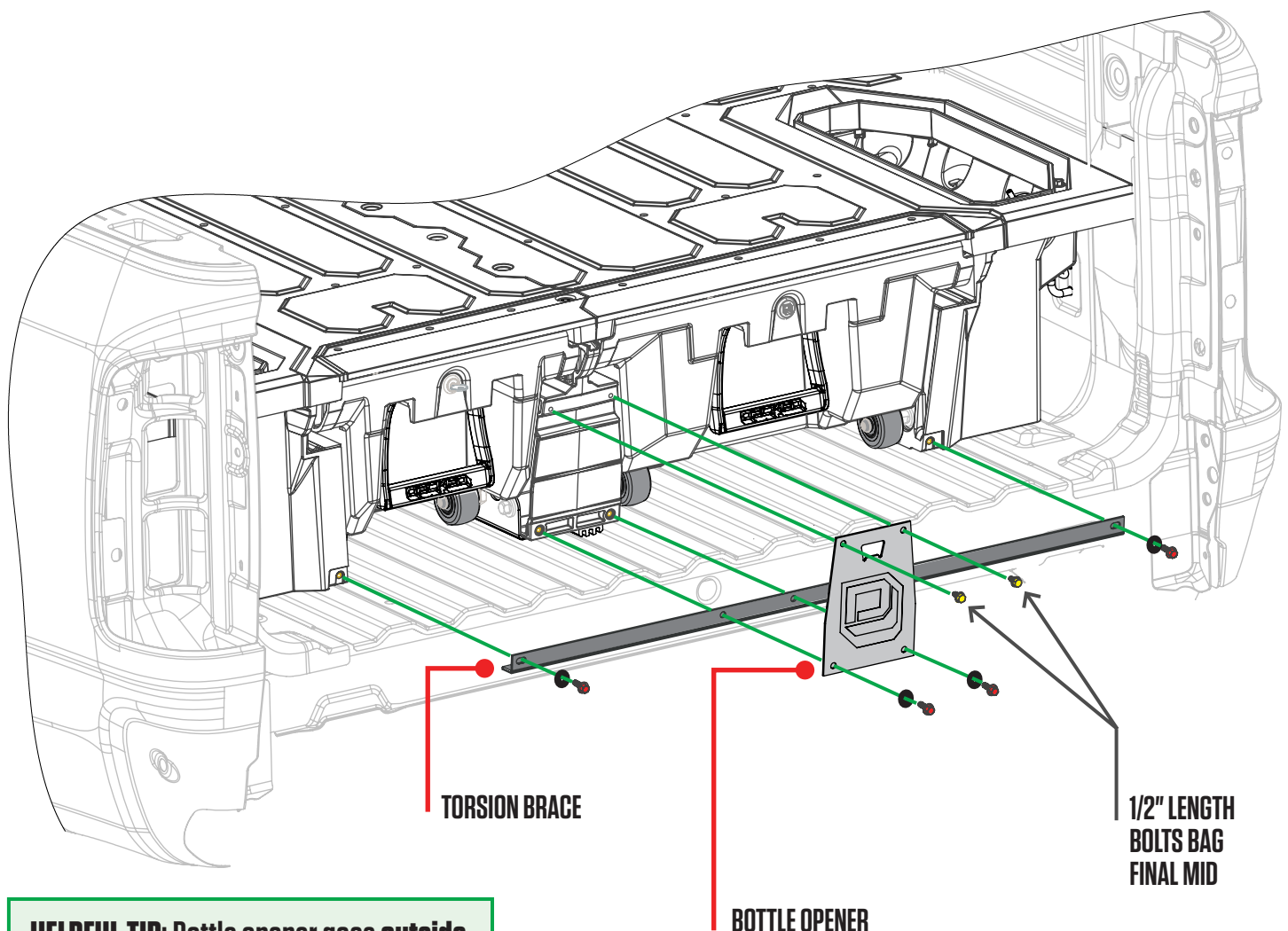
- Loosely install:

- Two bolts with nylon washers through the end holes in torsion brace into ammo cans; BAG **S1**.
- Two bolts with nylon washers through the bottom bottle opener holes and torsion brace into center vert; BAG **S1**.
- Two 1/2" length bolts through upper holes in bottle opener into center vert; BAG **FINAL MID**.

- Align bottle opener to edges of center vert and tighten four bottle opener bolts.

- Tighten end bolts into tailgate ammo cans.

- **Finally.....Tighten the J-hooks! DO NOT OVER TIGHTEN, just make snug. Make sure the gap between the sidewall of the bed and the deck is equal on both sides.**



HELPFUL TIP: Bottle opener goes outside of torsion brace.

FINAL STEPS: THE RULER

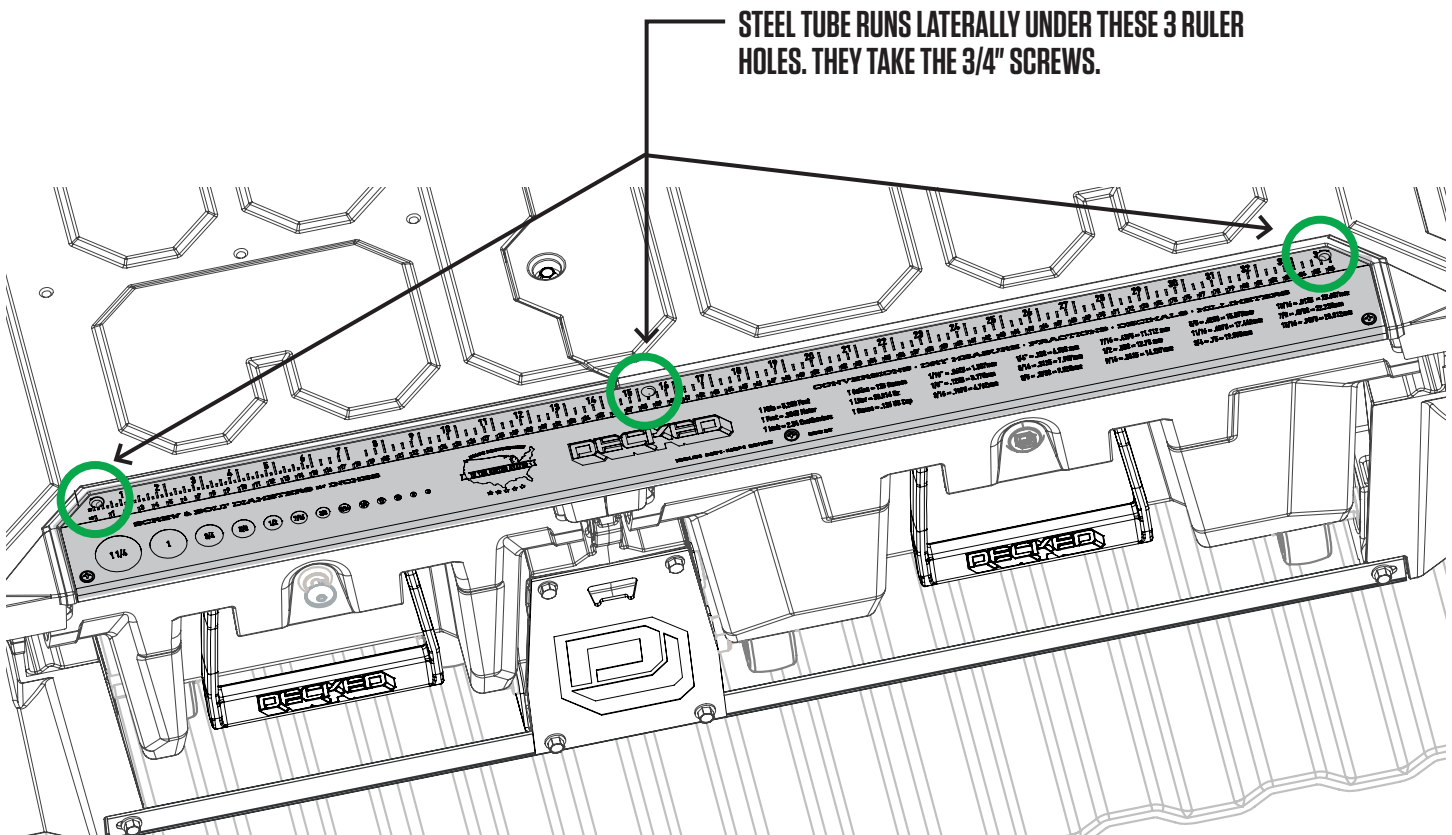
- Center ruler in embossed area and screw three 1/2" length Phillips screws through the tailgate side holes directly into deck panels; BAG FINAL MID.

NOTE: These are small gauge screws. Light hand tighten ONLY.

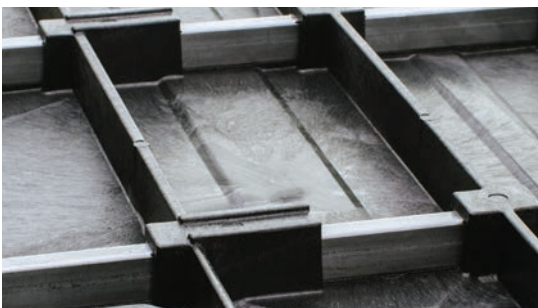
- For the three cabside ruler mounting holes, drill each with a 3.5mm bit and a drill stop set to 12mm. There is a lateral steel tube that runs on the underside of the deck at this location. (SEE UNDERSIDE VIEW OF DECK).

IMPORTANT: Only drill through TOP of steel tube; do not drill through bottom of tube, otherwise you will funnel water into your drawers; BAD!

- Screw three 3/4" length Phillips screws into the cabside ruler holes you just drilled; BAG FINAL MID.



UNDERSIDE VIEW OF DECK



DO: Drill through the top of steel tube ONLY.

DO NOT: Drill through both sides of steel tube.

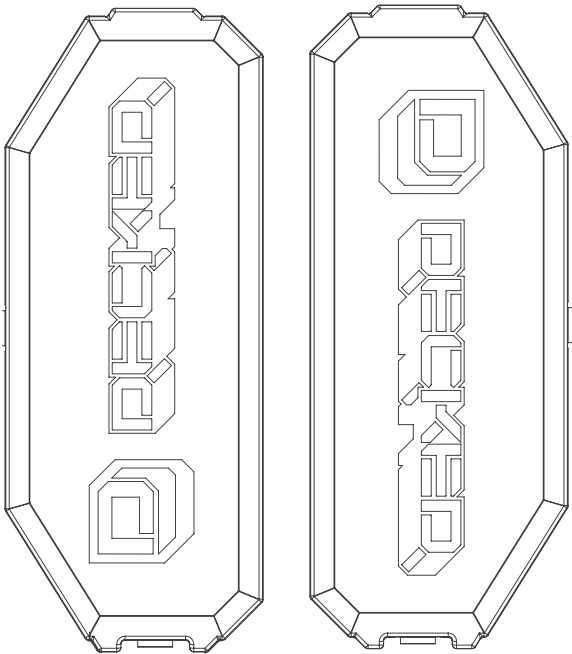


FINAL STEPS: AMMO CAN LIDS

- **DETAIL A:** Ammo can lids are left (marked L) and right (marked R) side specific.
- **DETAIL B:** Holding lid in orientation shown, insert tab on tailgate end of ammo can lid and push the cabside end of lid down to secure. Don't be afraid to push hard, it's rugged.
- Insert lock hole plugs, unless you ordered drawer locks! Install drawer locks now (instructions with locks);
BAG FINAL MID.

IMPORTANT: Grab your favorite beverage, crack 'er open in the bottle opener and christen this ship! You did it. Immediately post a photo of your significant other, child or canine (in no order of significance) appreciating your accomplishment. Add hashtag #DECKEDUSA | @DECKEDUSA.

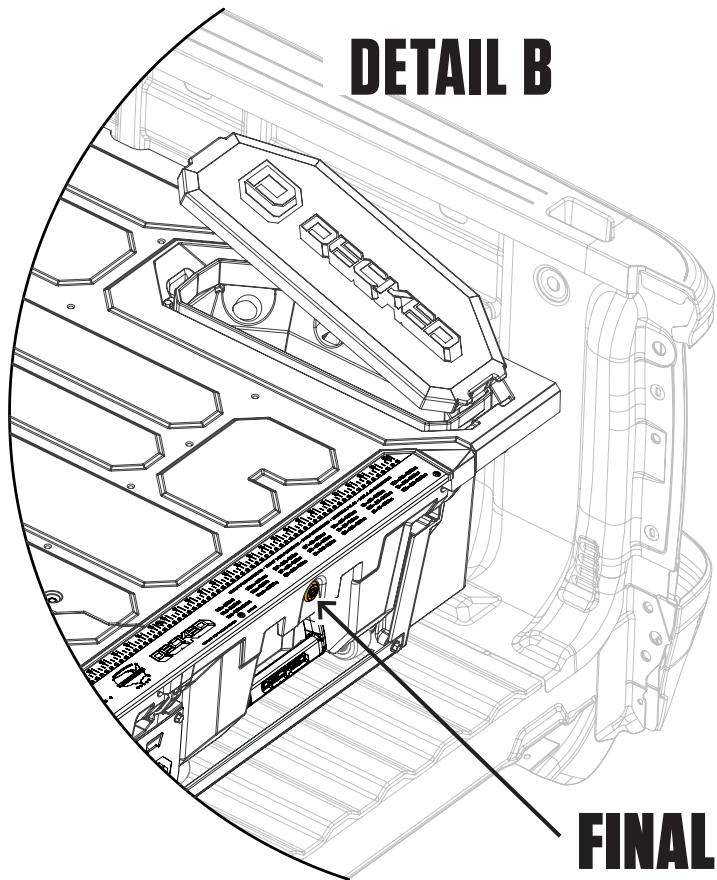
DETAIL A



LEFT AMMO
CAN LID

RIGHT AMMO
CAN LID

DETAIL B



FINAL MID

#DECKEDUSA | @DECKEDUSA

DECKED 3-YEAR LIMITED WARRANTY

DECKED LLC warrants to the original purchaser of this product that the product will be free from manufacturing defects in workmanship and materials for a period of three (3) years from the date of the original purchase. If within three (3) years from the original date of purchase this product fails due to defect in materials or workmanship, DECKED LLC will replace any defective part at its option.

The original purchaser must contact the DECKED LLC customer service team and provide a description of the defective part, including digital pictures if requested, with the original purchase documentation as validation of warranty coverage or have previously activated their warranty online.

This warranty DOES NOT cover or apply to:

- Damage to the product due to misuse, mishandling and abuse.
- Products not used in accordance with the manufacturer's instructions or recommendations.
- Product not assembled or installed according to manufacturer's instructions.
- Normal wear and tear.
- Undeclared damage to the system during shipping, acts of God. In addition, consequential damage and incidental damages (including lost time) such as damage to persons or property are not covered under this warranty.

REGISTER YOUR PRODUCT FOR ANY FUTURE WARRANTY NEEDS AS WELL AS TO BE INFORMED OF PRODUCT IMPROVEMENTS, ISSUES OR SOLUTIONS SPECIFIC TO YOUR MODEL [DECKED.COM/REGISTER](https://www.decked.com/register)

DECKED.COM | SERVICE@DECKED.COM | 1-208-806-0251
#DECKEDUSA | @DECKEDUSA