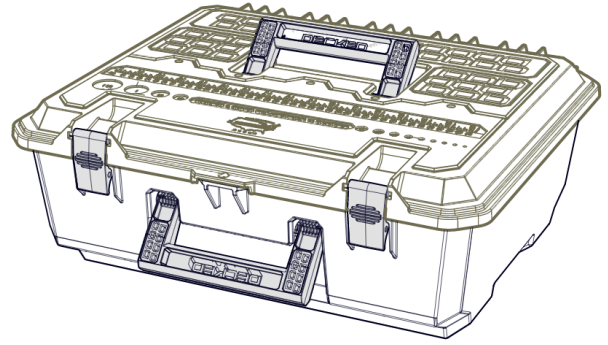


D-BOX ASSEMBLY

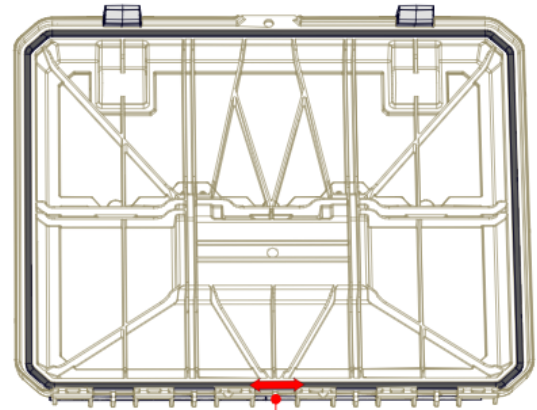


TOOLS NEEDED : HAMMER (Sometimes you're the hammer, sometimes you're the nail. Today is your lucky day.)

D-Box Assembly Video: [DECKED.com/video/dbox](https://www.decked.com/video/dbox)

SEAL THE DEAL

STEP 1 : Start pressing cord gasket into lid channel and work your way around the lid as you go. Start at the middle of the hinge side. Make sure to leave a 1" gap in the cord gasket—otherwise you can get a vacuum lock. You may need to tear a small piece off the cord gasket to leave a gap.

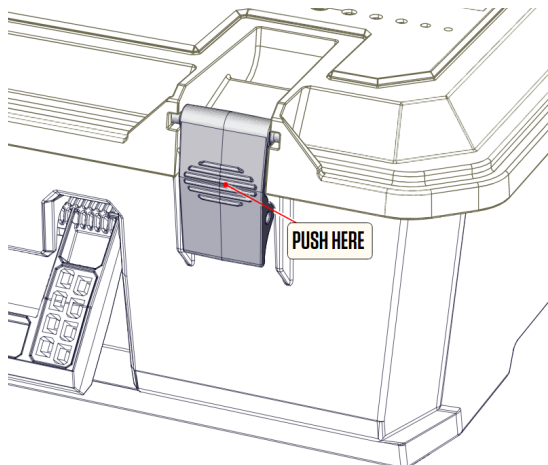
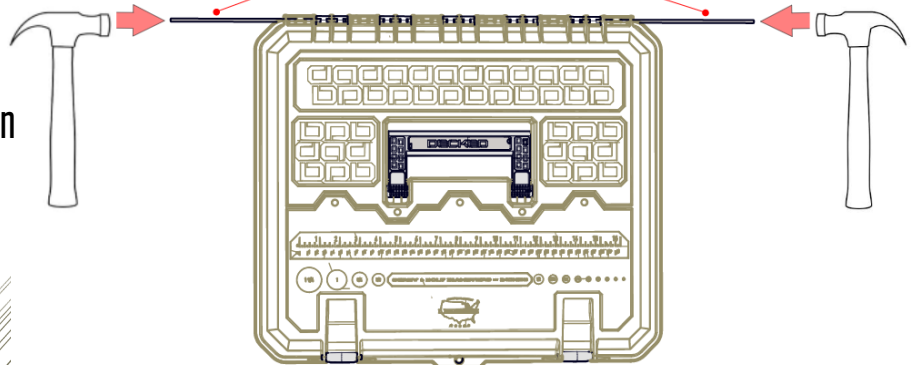


INSTALL GASKET IN GROOVE - CUT SOME OFF TO LEAVE A 1" GAP

GEPPETTO TIME!

STEP 2 : Place blue or tan D-Box lid on black base. Insert steel hinge pin into one end while making sure to insert through both lid and base channels. Tap into place with a hammer. Repeat on the other end with the second pin.

SEAT LID AND TAP HINGE PINS IN PLACE WITH HAMMER



HELPFUL TIP : To close latches, push on the raised ridges in the center of the latch with your thumb.

