

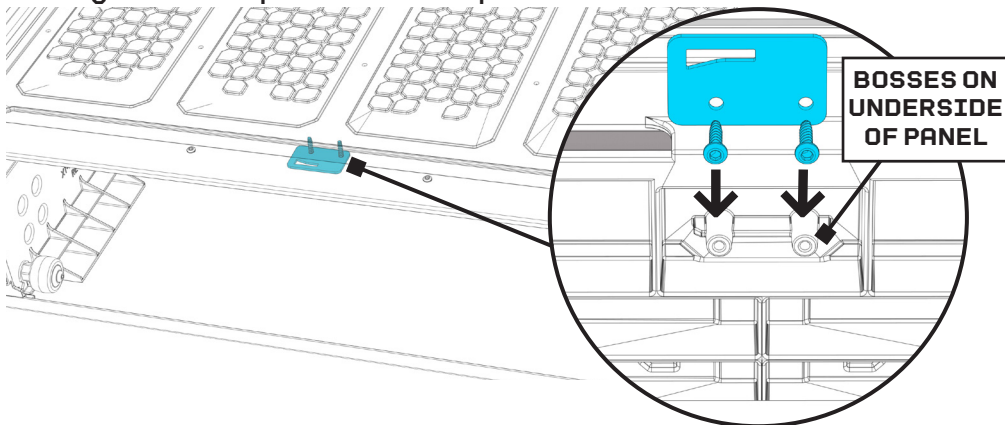


INSTALLATION INSTRUCTIONS DRAWER LOCKS FOR MIDSIZE TRUCKS

TOOLS REQUIRED
Phillips screwdriver
7/8" socket or wrench
3/16" hex key

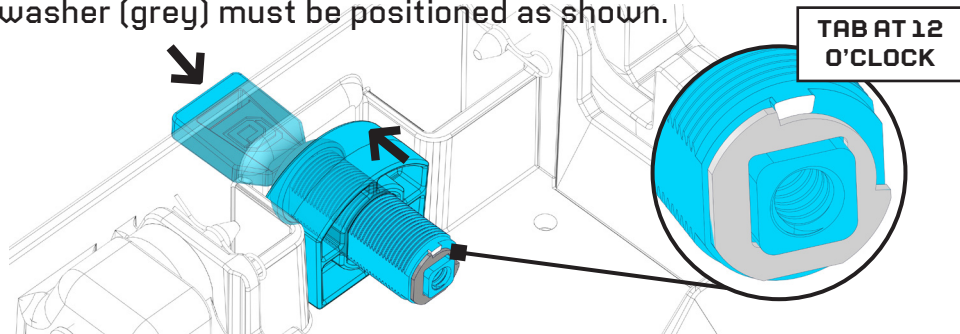
STEP 1

Install the latch plate under the deck panel. Open the drawer. Locate the screw bosses under the panel. Use a 3/16" hex driver to install the screws directly into the polymer. Do not overtighten. The plate must be positioned as shown.



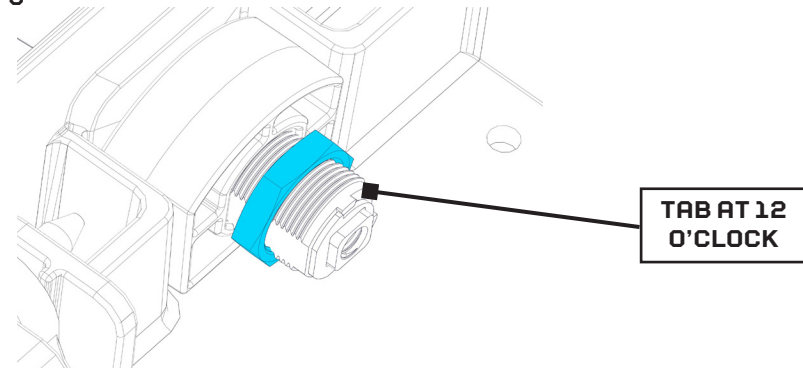
STEP 2

Install the anti-rotation support, flat side down. Insert key into lock core. Locate the little tab on the lock barrel. This must be positioned at 12 o'clock when installing into the drawer. The 45° washer (grey) must be positioned as shown.



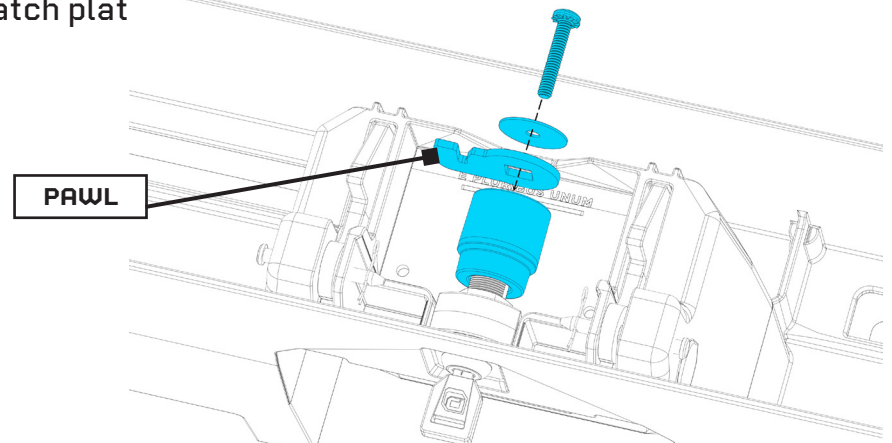
STEP 3

Install lock core nut and tighten with your fingers until snug. Use a 7/8" socket to tighten the nut by one half turn only. Do not overtighten.



STEP 4

Install spacer, pawl, washer and set screw as shown. The pawl must be positioned as shown for proper engagement into the latch plat





INSTALLATION INSTRUCTIONS

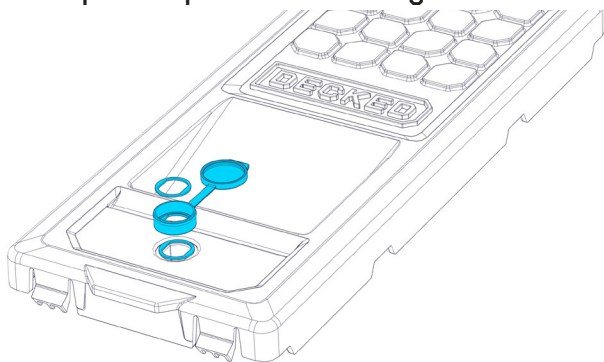
DRAWER LOCKS FOR STASH BINS

TOOLS REQUIRED
Phillips screwdriver
7/8" socket or wrench

Decked locks are designed as an additional line of defense in keeping your gear secure. We highly recommend saving yourself a brain cramp and follow these instructions.

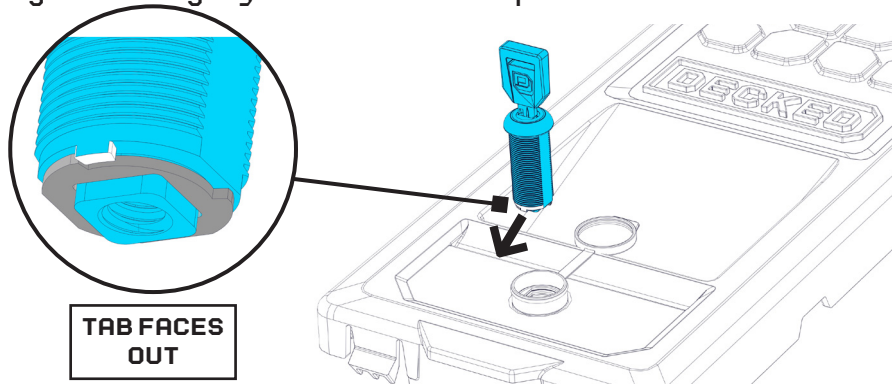
STEP 1

Place one weathercap gasket in the lock depression on the stash bin lid. Make sure to align the straight sides. Place the open weathercap on top. Place a 2nd gasket in the weathercap.



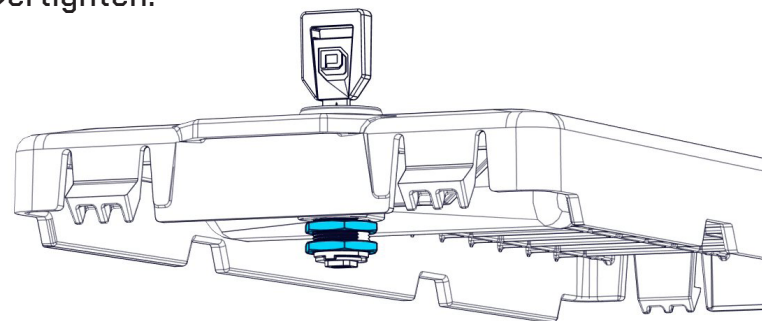
STEP 2

Insert lock assembly into weathercap with the barrel tab facing out. The gray washer must be positioned as shown.



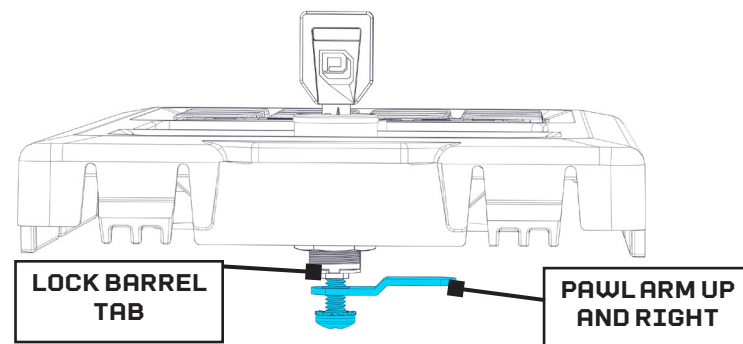
STEP 3

Install two lock core nuts and tighten with your fingers until snug. Use a 7/8" socket to tighten the nuts by one half turn only. Do not overtighten.



STEP 4

Align and seat pawl onto lock core with the lock arm facing as shown. Install the lock screw with a Phillips screwdriver. Tighten until snug. Repeat on other lids.





INSTALLATION INSTRUCTIONS

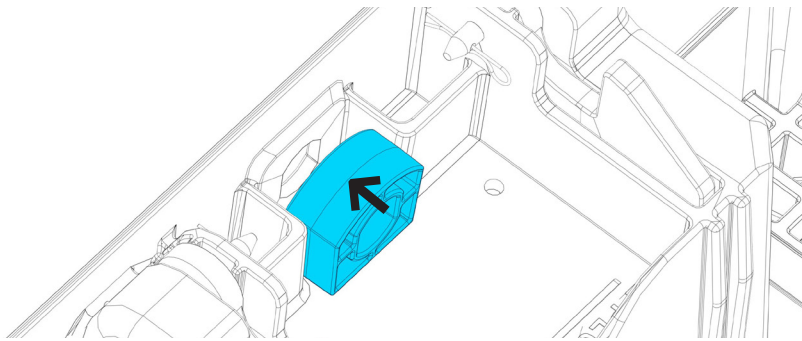
DRAWER LOCKS FOR FULLSIZE TRUCKS

TOOLS REQUIRED
Phillips screwdriver
7/8" socket or wrench

Decked locks are designed as an additional line of defense in keeping your gear secure. We highly recommend saving yourself a brain cramp and follow these instructions.

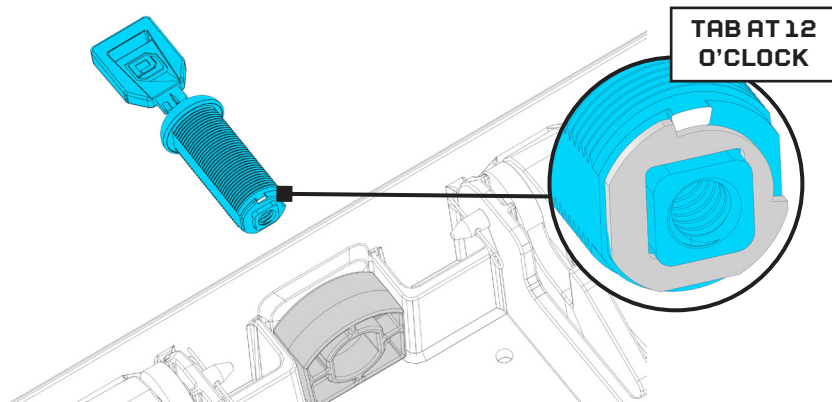
STEP 1

Install one anti-rotation support in each drawer, flat side down.



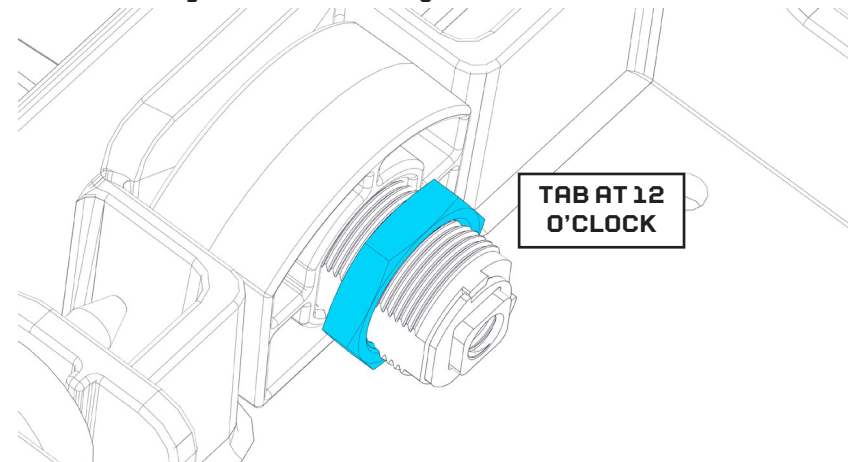
STEP 2

Insert key into lock core. Locate the little tab on the lock barrel. This must be positioned at 12 o'clock when installing into the drawer. The 45° washer (grey) must be positioned as shown.



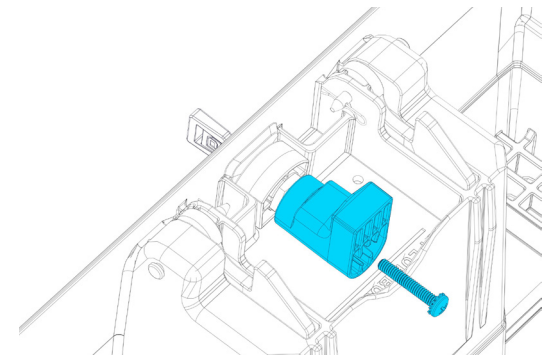
STEP 3

Insert the lock assembly into the drawer and through the anti-rotation support. Install lock core nut and tighten with your fingers until snug. Use a 7/8" socket to tighten the nut by one half turn only. Do not overtighten.



STEP 4

Align and seat pawl onto lock core with the lock arm facing up. Install the lock screw with a Phillips screwdriver. Tighten until snug. Repeat on other drawer.





INSTALLATION INSTRUCTIONS

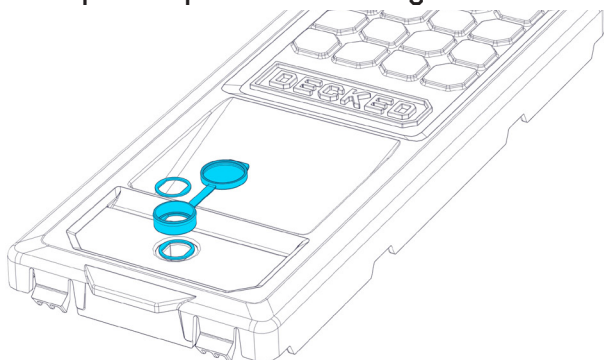
DRAWER LOCKS FOR STASH BINS

TOOLS REQUIRED
Phillips screwdriver
7/8" socket or wrench

Decked locks are designed as an additional line of defense in keeping your gear secure. We highly recommend saving yourself a brain cramp and follow these instructions.

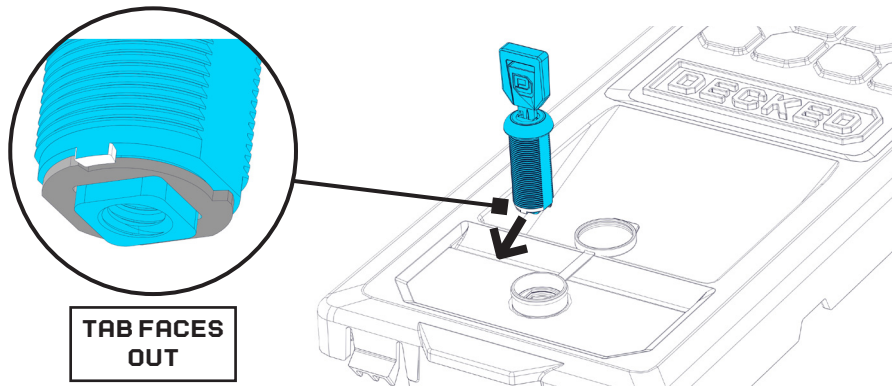
STEP 1

Place one weathercap gasket in the lock depression on the stash bin lid. Make sure to align the straight sides. Place the open weathercap on top. Place a 2nd gasket in the weathercap.



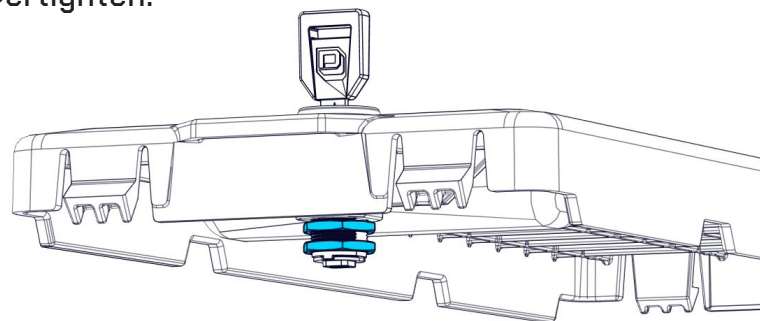
STEP 2

Insert lock assembly into weathercap with the barrel tab facing out. The gray washer must be positioned as shown.



STEP 3

Install two lock core nuts and tighten with your fingers until snug. Use a 7/8" socket to tighten the nuts by one half turn only. Do not overtighten.



STEP 4

Align and seat pawl onto lock core with the lock arm facing as shown. Install the lock screw with a Phillips screwdriver. Tighten until snug. Repeat on other lids.

