



Installation Instructions:  
**DG9 / DG10**  
**CHEVY SILVERADO/GMC SIERRA**  
**8' BED LENGTH**

**DG9** 1500: (2019-CURRENT/NEW BODY STYLE)

**DG10** 2500 & 3500: (2020-CURRENT/NEW BODY STYLE)

**IMPORTANT: If installing a CargoGlide on top of this drawer system, DO NOT install the drawer system into your truck yet - SEE INSTRUCTIONS.**

**TOOLS REQUIRED**

- 3/8" socket
- 7/16" socket
- 1/8" hex wrench
- 7/32" hex wrench
- 1/2" drill bit
- electric drill
- 5/16" drill bit
- drill stop
- elbow grease



SCAN ME

REGISTER YOUR SYSTEM



SCAN ME

INSTRUCTION VIDEOS

Watch short installation videos at [www.decked.com/video](http://www.decked.com/video) | Register your system at [www.decked.com/warranty](http://www.decked.com/warranty)

FOLLOW US:      @DECKEDUSA | #DECKEDUSA

VERSION 10

DECKED.COM | 208.806.0251

RC444

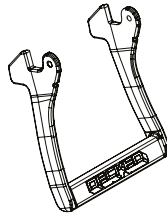
# CONTENTS



components in the carton



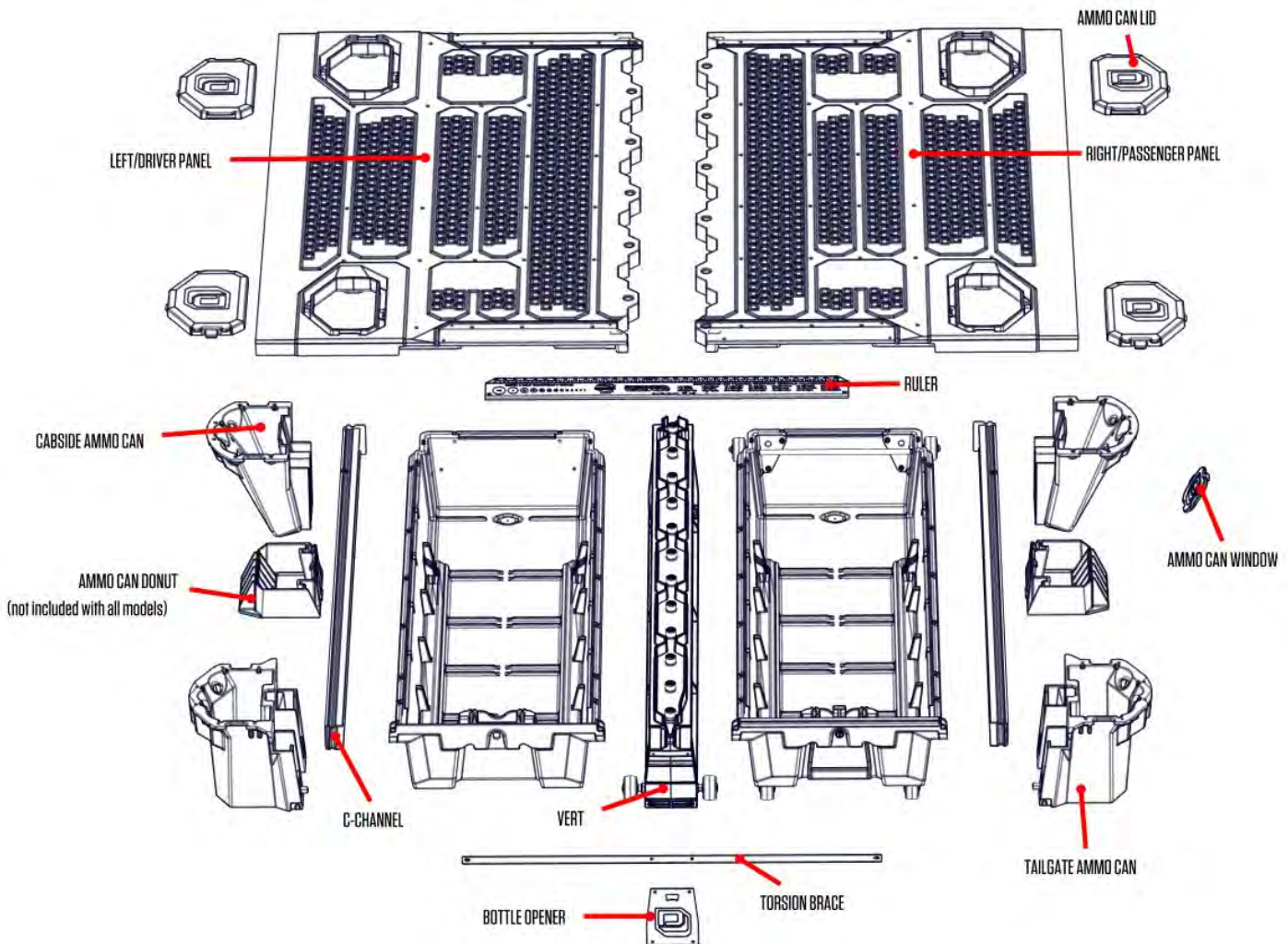
HARDWARE box contents:



LOOSE HANDLE - 1  
(we installed one already)

PREP DG9/DG10 - 1
PREP 8'S - 1
C-CHNL - 1
BOLTS L - 1
CSAC - 1
J7 - 2
J10 - 2
DRAWER 1 - 1
DRAWER 3 - 1
HANDLE - 1
WHEELS - 1
PREP-EXTRA - 1
FINAL FS - 1
PRIMER - 1
8 CLOSEOUT KIT - 1
BOTTLE OPENER - 1
WEATHERSTRIPS - 2
AMMO CAN WINDOWS - 2

## ▼ ASSEMBLY OVERVIEW ▼



**IMPORTANT: If installing a CargoGlide along with this drawer system, DO NOT install the drawer system into your truck yet - SEE INSTRUCTIONS.**

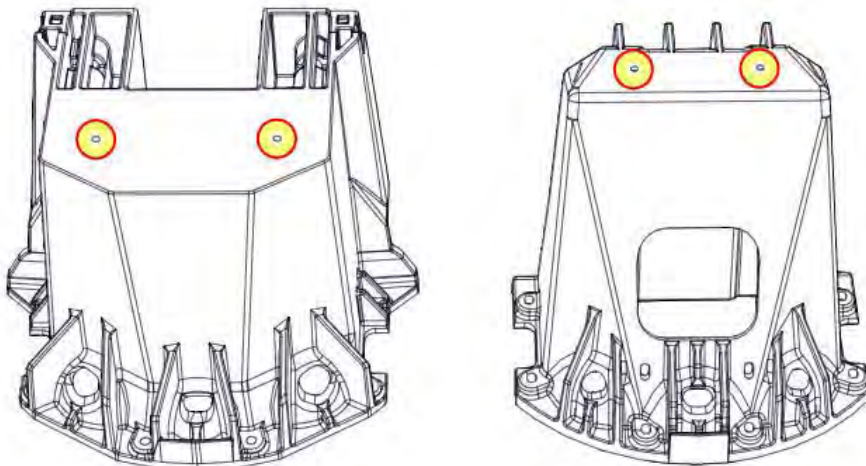
▼ **HEY! TORQUE BOY: READ BEFORE YOU INSTALL THE DECKED DRAWER SYSTEM** ▼

- **DON'T** go rogue on us, please read the instructions.
- Start all bolts with your fingers to avoid cross-threading - you don't want to spin out any inserts.
- **DON'T** over tighten bolts, get em' hand-tight...or you will spin out the inserts.
- **DON'T** use power tools.
- If you don't follow directions and do use power tools, please set the clutch at a very low setting.
- Over-torquing or using an impact wrench will spin out the inserts - we're warning you!
- If you blow it, you can screw the inserts back in from the opposite side with a slotted screwdriver.
- If you really blow it, we've included some repair inserts in the PREP-EXTRA bag - install with a 7/32" hex wrench. Call us if you need more.
- You'll need a buddy for exactly two steps.
- Torque ratings are suggestions - tighten all fasteners until snug.
- Prevent expletive-filled language, watch our detailed installation video or give us a call. We're happy to help!

## AMMO CAN DRAIN HOLES

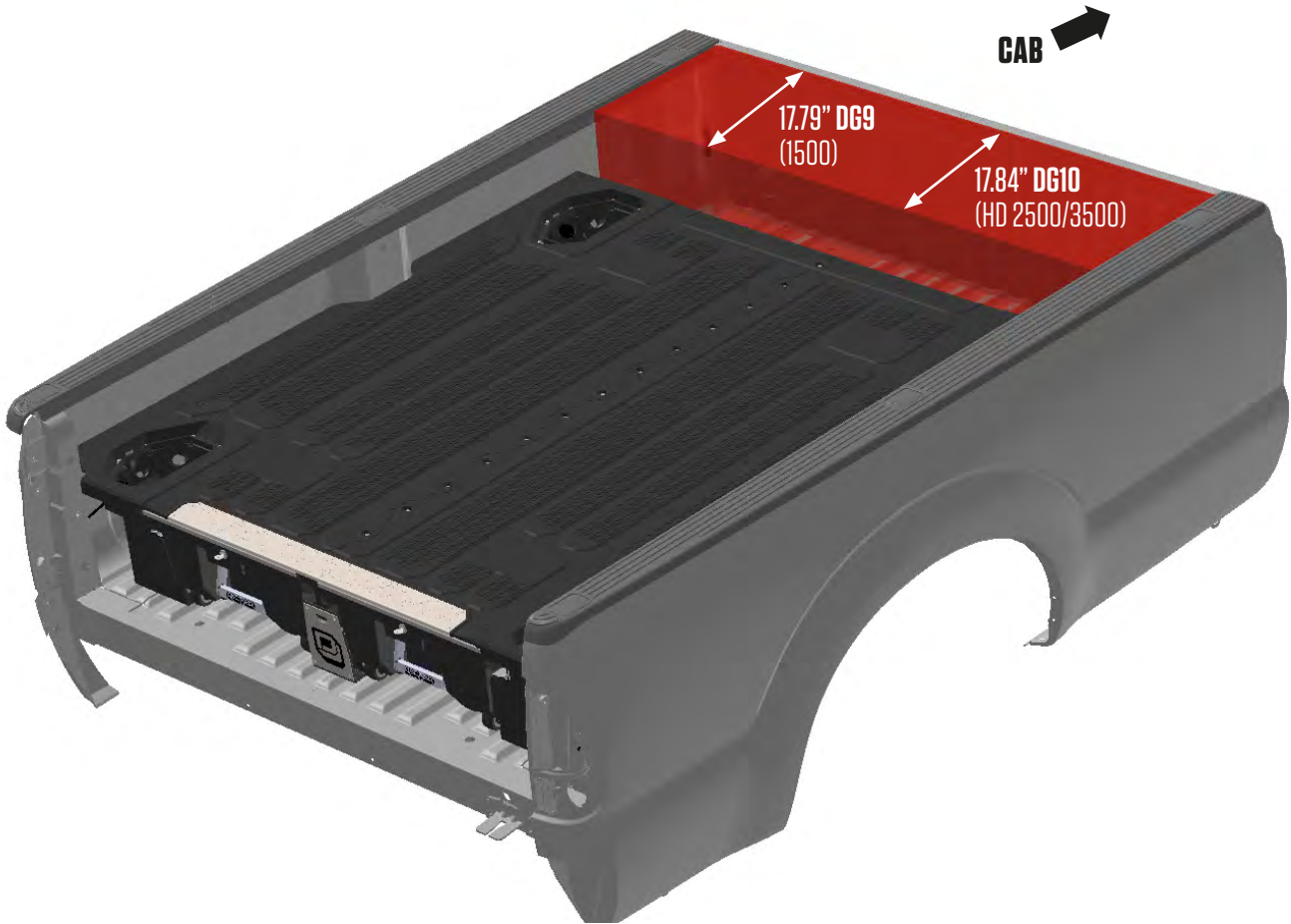
(TO DRILL OR NOT TO DRILL.)

- **Do you use a tonneau or shell over your DECKED system?**  
There is no need to drill holes, unless you leave your tonneau open in a deluge.
- **Does your DECKED system live outside?**  
The ammo cans will get water in them. You'll need to drill holes in the ammo cans. There are two dimples in the bottom of each ammo can. Drill a 1/2" hole at each dimple. A smaller hole will get clogged. Depending on the system, we may have drilled these for you already.



## ▼ FITMENT OVERVIEW ▼

Available space for DECKED Tool Box or crossover tool box shown below (red).





# PREP BED: CABSIDE BRACKET - DG9

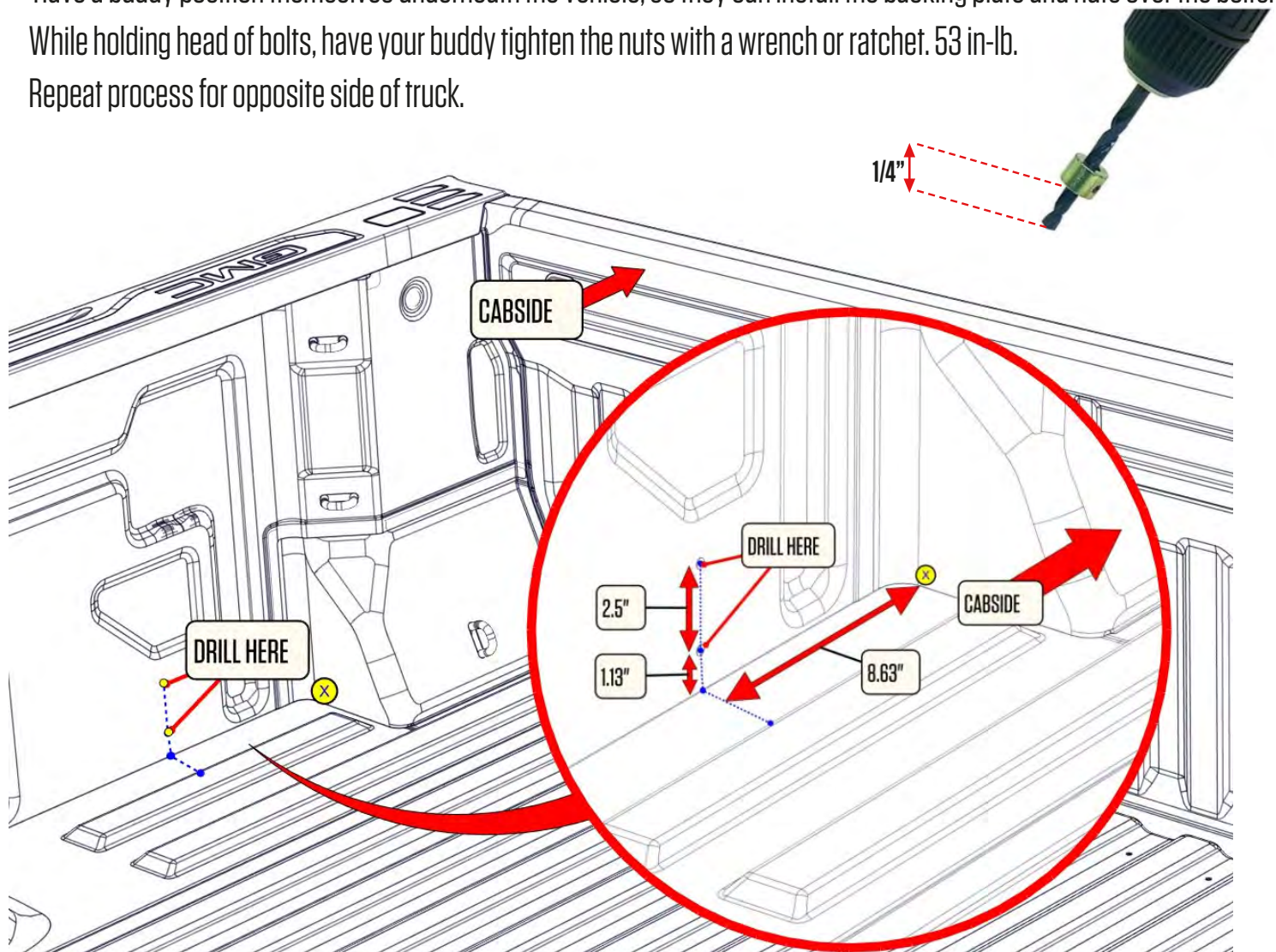


## THE NEXT STEP DEPENDS ON YOUR TRUCK:

If you have a 2019-current 1500 8' bed with the new body style (DG9), follow the instructions below.

Grab your bag: **PREP DG9/DG10**

- Using the "X" as a reference, mark hole centers for mounting bracket using the dimensions in the detail view below.
- Attach a drill stop to 5/16" drill bit and set depth of drill stop to be 1/4" from tip of drill bit.  
**NOTE: Extreme caution must be taken when locating and drilling holes. Not using a drill stop could cause damage to fuel lines and hoses on driver side of vehicle, possibly causing a fire or explosion.**
- Using drill with drill stop, drill two 5/16" holes at locations marked in first step.  
**NOTE: Use the PRIMER included to seal the raw metal edges to resist corrosion and potential fastener point failure.**
- Place tie down bracket up against side panel with the ring side facing the tailgate and place bolts through holes.
- Have a buddy position themselves underneath the vehicle, so they can install the backing plate and nuts over the bolts.
- While holding head of bolts, have your buddy tighten the nuts with a wrench or ratchet. 53 in-lb.
- Repeat process for opposite side of truck.



# PREP BED: CABSIDE BRACKET - DG10

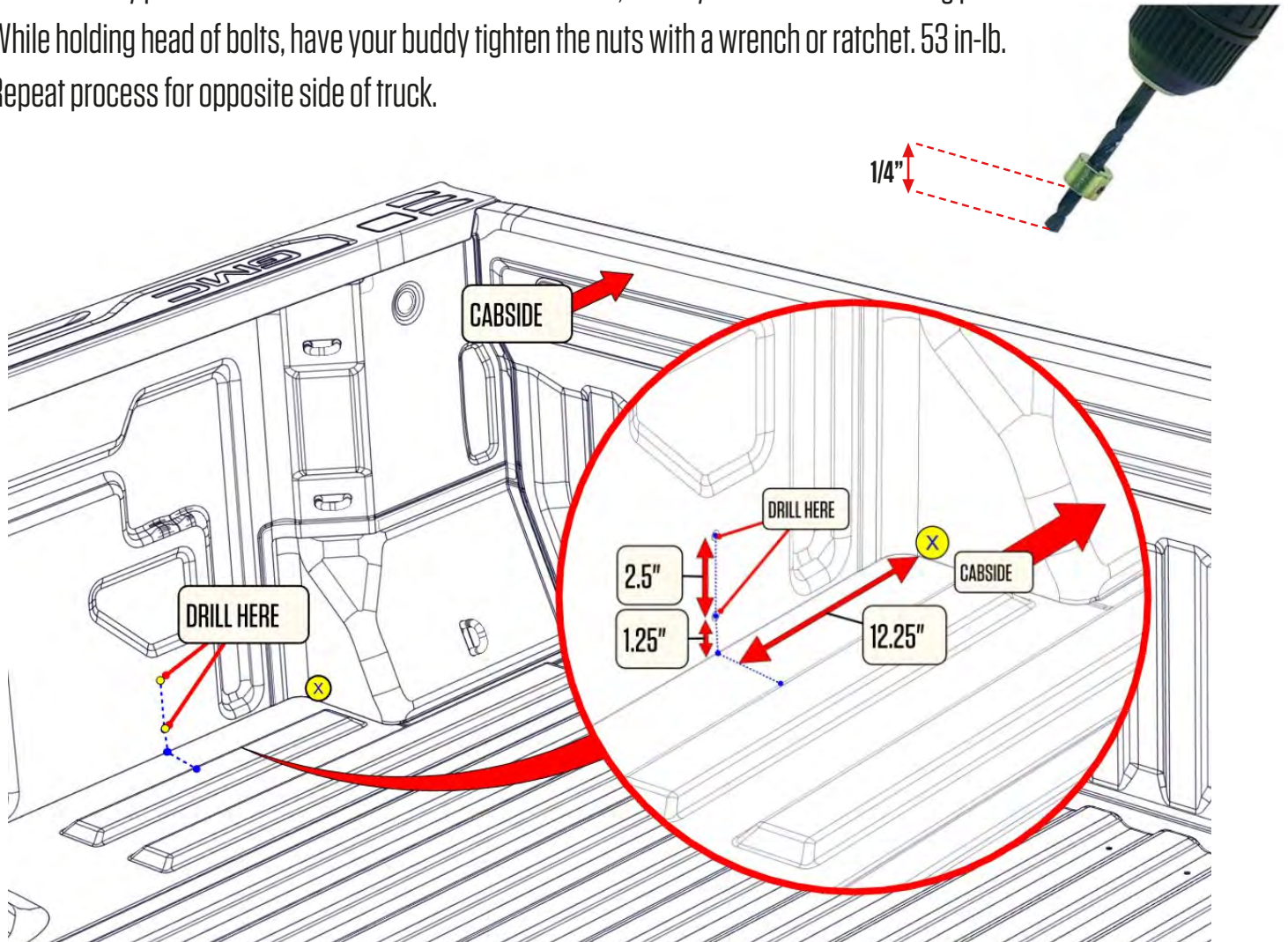


## THE NEXT STEP DEPENDS ON YOUR TRUCK:

If you have a 2020-current 2500/3500 HD 8' bed with the new body style (DG10), follow the instructions below.

Grab your bag: **PREP DG9/DG10**

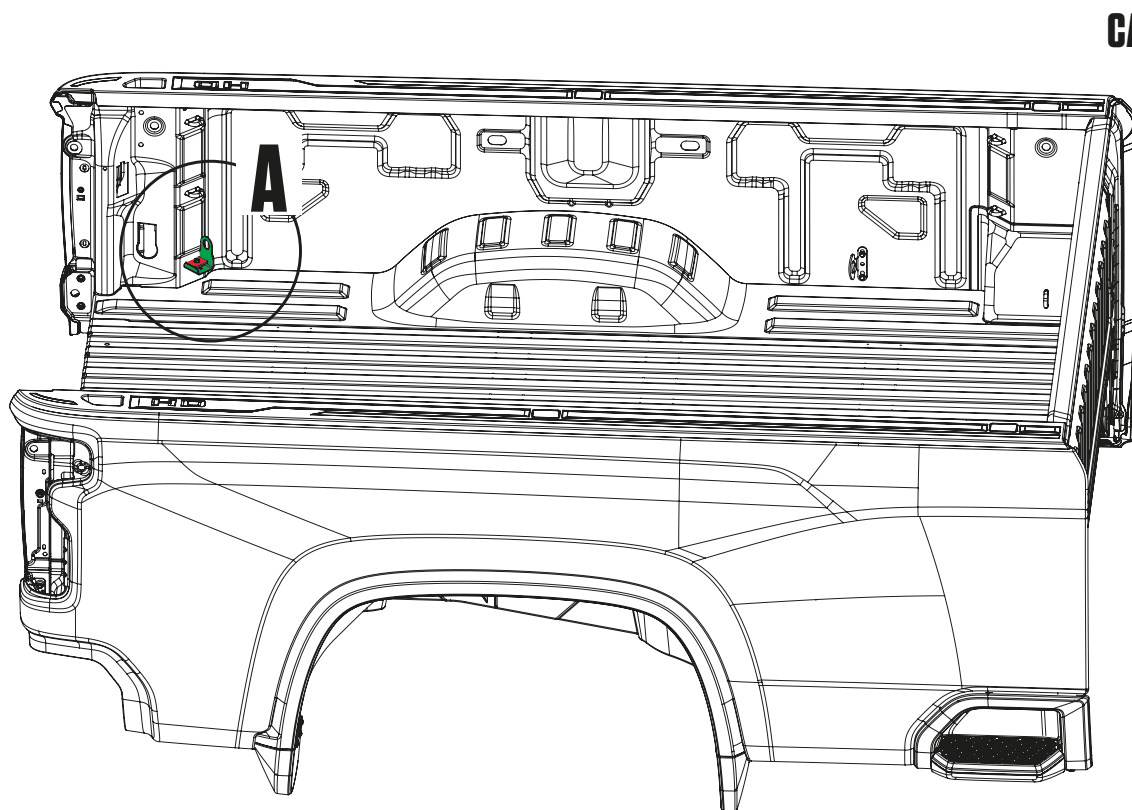
- Using the "X" as a reference, mark hole centers for mounting bracket using the dimensions in the detail view below.
- Attach a drill stop to 5/16" drill bit and set depth of drill stop to be 1/4" from tip of drill bit.  
**NOTE: Extreme caution must be taken when locating and drilling holes. Not using a drill stop could cause damage to fuel lines and hoses on driver side of vehicle, possibly causing a fire or explosion.**
- Using drill with drill stop, drill two 5/16" holes at locations marked in first step.  
**NOTE: Use the PRIMER included to seal the raw metal edges to resist corrosion and potential fastener point failure.**
- Place tie down bracket up against side panel with the ring side facing the tailgate and place bolts through holes.
- Have a buddy position themselves underneath the vehicle, so they can install the backing plate and nuts over the bolts.
- While holding head of bolts, have your buddy tighten the nuts with a wrench or ratchet. 53 in-lb.
- Repeat process for opposite side of truck.



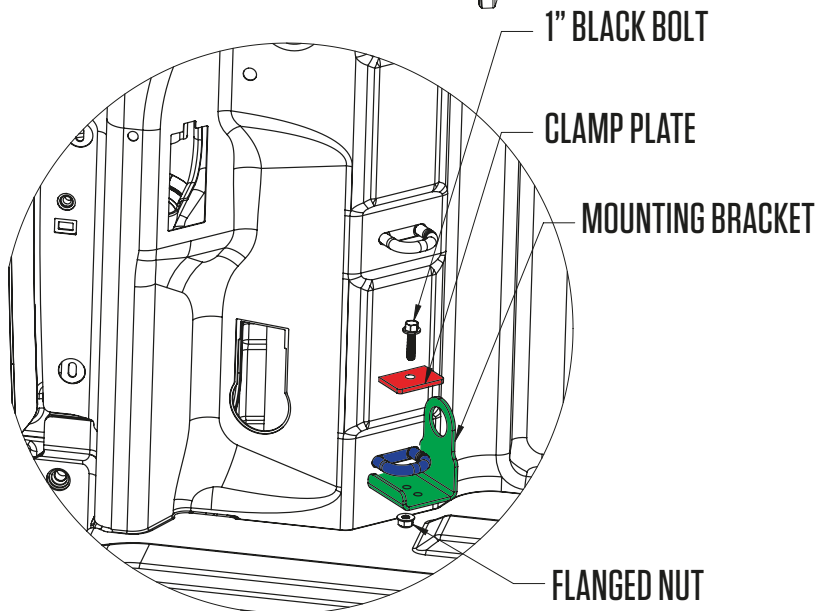
# PREP BED: TAILGATE BRACKET

Grab your bag: **PREP DG9/DG10**

- Using the information in DETAIL A below:
- Orient mounting bracket (green) to tailgate cargo tie down ring in bed (blue).
- Orient clamp plate (red) to cargo tie down ring in bed.
- Join bracket to clamp plate with 1" black bolt and flanged nut.
- Tighten nut and bolt securely, 27 in-lb.
- Repeat sequence for right hand side tailgate bracket.



**DETAIL A**  
LH SIDE SHOWN



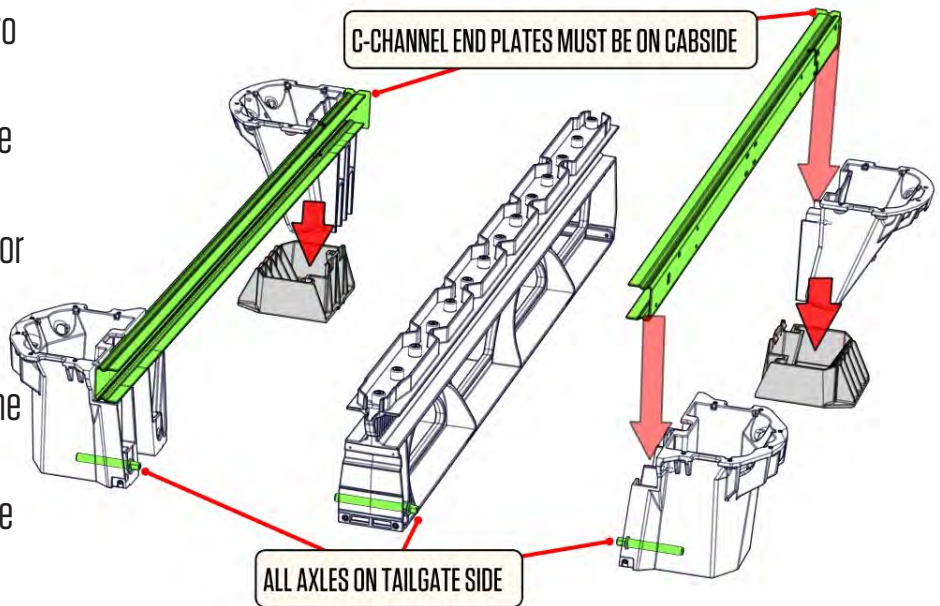


# ASSEMBLY

(Now the fun begins!)

## LAY IT OUT:

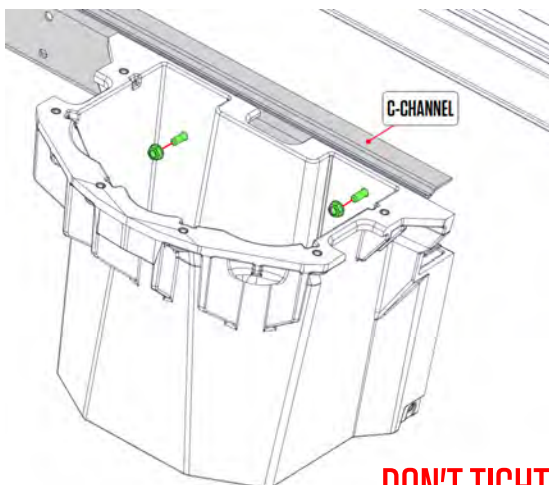
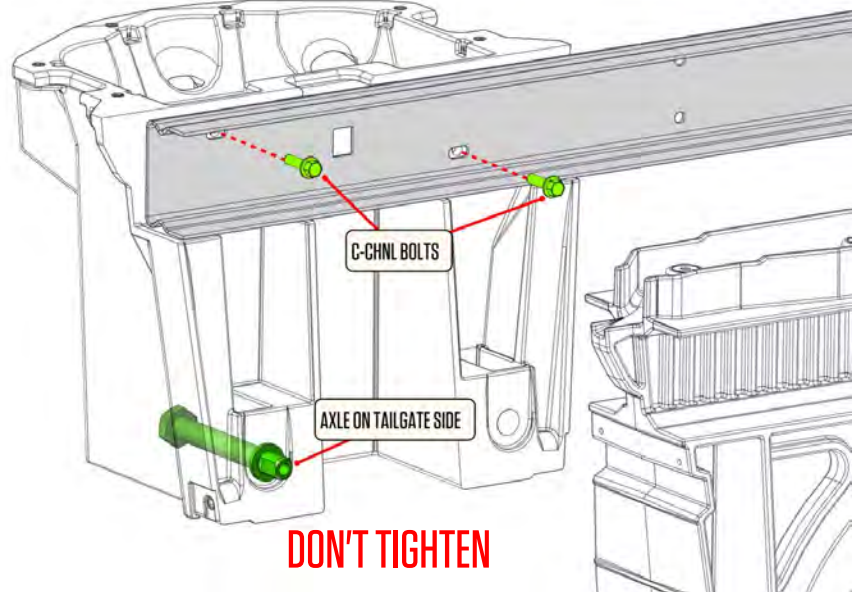
1. Snap the cabside ammo can donuts onto the bottom of the cabside ammo cans.
2. Arrange all components on a flat surface as shown, not in your truck.
3. Make sure all wheel axles we installed for you are on the tailgate side. Read this again. Don't mess this up.
4. Place the C-channels on the ledges of the ammo cans.
5. The C-channel end plates must be on the cabside of the assembly.



## HOOK IT UP:

Grab your bag: **C-CHNL**

1. Install two (2) 1" black bolts through the **INSIDE** of the C-channel and into any ammo can. The bolt head must be on the C-channel side.
2. Fasten with a flanged nut on inside of ammo can, but do not tighten.
3. Repeat the same procedure for the other three ammo cans. **DON'T TIGHTEN YET.**



*Note: 4 things you could have messed up:*

1. C-channel bolt heads are inside ammo cans and not C-channels - wheels ain't gonna roll.
2. Wheel axles on ammo cans and vert aren't all the way at the tailgate side - you won't get full drawer extension.
3. C-channel end caps are on the tailgate side - things ain't gonna fit.
4. You tightened the C-channel to ammo can bolts when I told you not to.

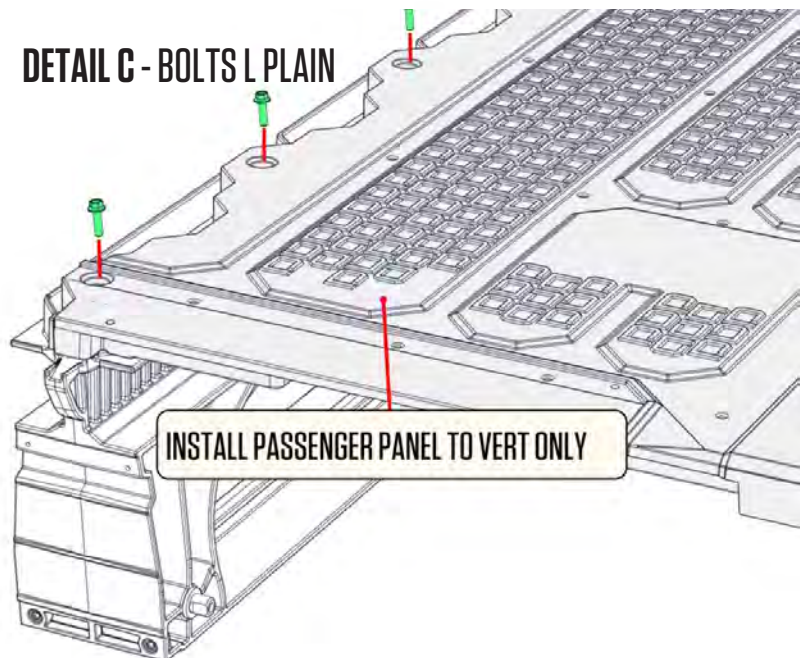
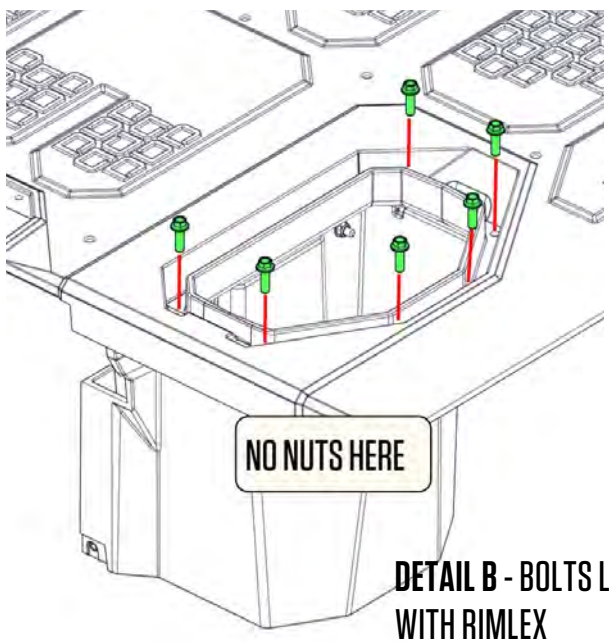
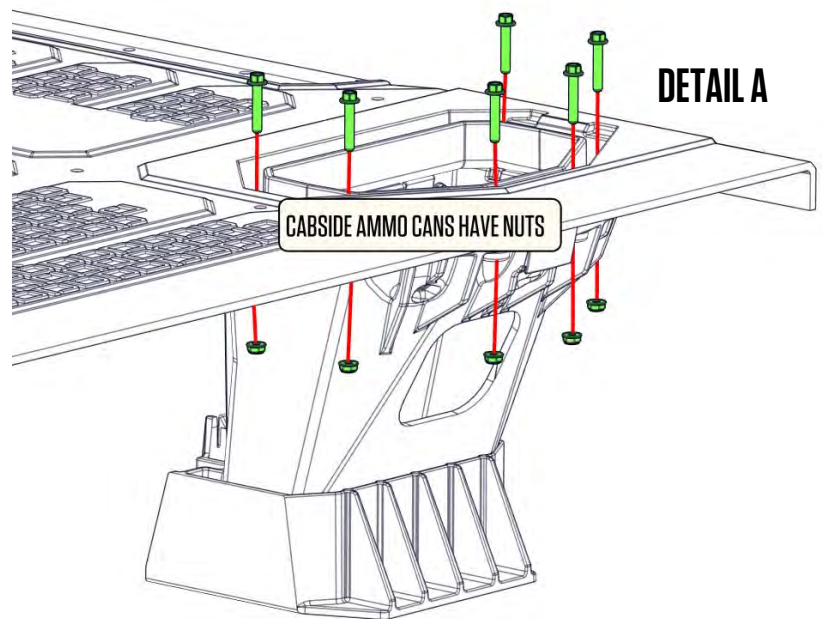
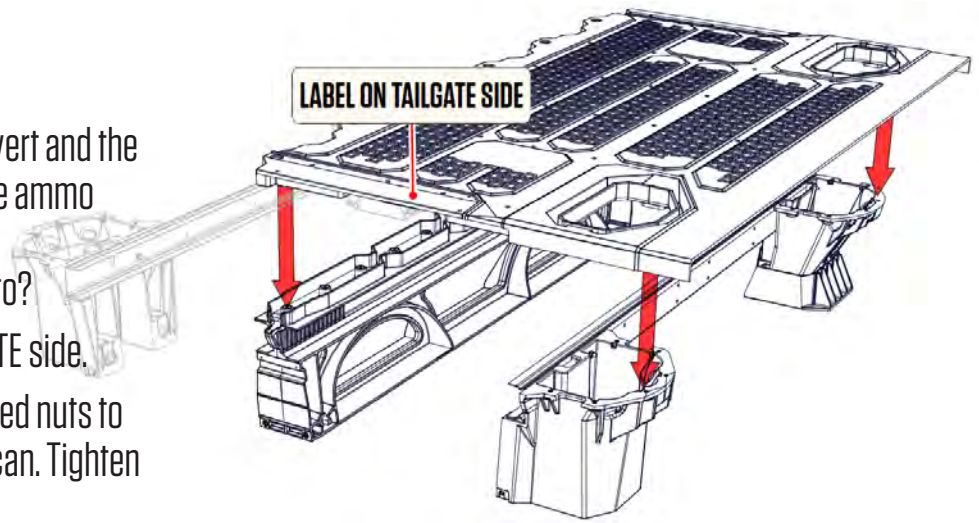


# GET YOUR DECK ON

## LAY IT ON:

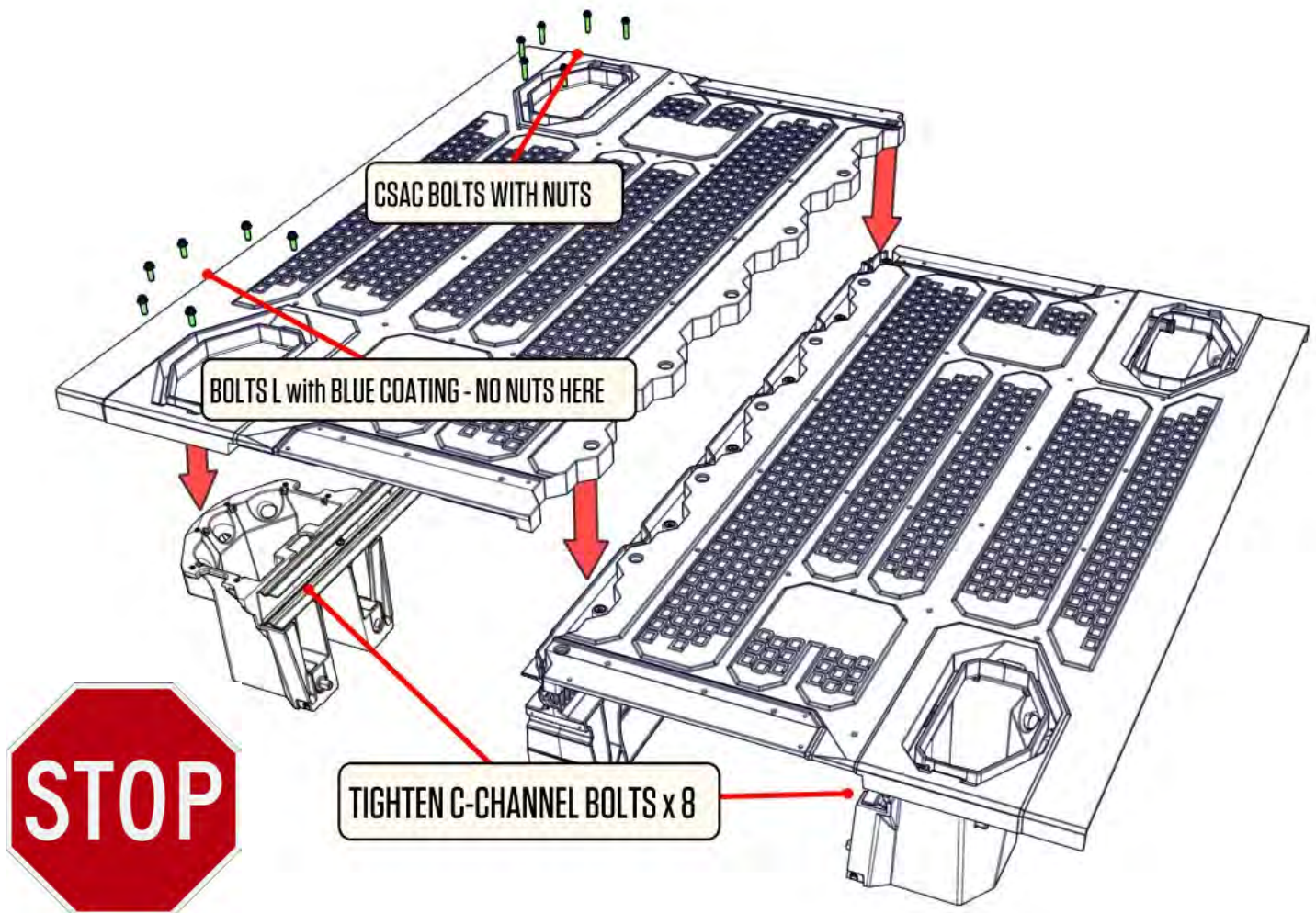
Grab your bag: **CSAC, BOLTS L**

- Seat the passenger side panel on the vert and the ammo cans. You may have to move the ammo cans around a bit - did you leave the channel fasteners loose like I told you to?
- The panel label must be on the **TAILGATE** side.
- Use six (6) of the **CSAC** bolts and flanged nuts to install the panel to the cabside ammo can. Tighten just until snug. 27 in-lb. **DETAIL A.**
- The **BOLTS L** bag contains two type of bolts: 12 have blue RIMLEX sealant applied under the bolt head and 14 are plain.
- Use six (6) of the blue RIMLEX-coated **BOLTS L** bolts to install the panel to the tailgate ammo can - no nuts here. Tighten just until snug. 27 in-lb. **DETAIL B.**
- Use the plain **BOLTS L** bolts to fasten the passenger side panel to the center vert - just until snug. 27 in-lb. **DETAIL C.**  
*Remember what we said about power tools?*



# GET THE REST OF YOUR DECK ON

1. Seat the driver side panel on the ammo cans and center vert.
2. Attach the panel to both ammo cans, repeating steps 4 and 5 from the previous page.
3. Do not attach the driver side panel to the center vert. Do I have to repeat myself?
4. Now you can tighten the eight (8) **C-CHNL** to ammo can bolts. Don't forget unless you like rattles.



If you will be installing a **CargoGlide** onto the **DECKED** drawer system, now is the time to grab your **CargoGlide** instructions. Do not put the drawer system in your truck.

5. Gently remove the driver side assembly from the vert and put aside. If you attached the driver side panel to the vert, see #3 above, smack your hand and carefully remove the bolts.
6. Find a friend to help you lift and place the passenger side assembly into the bed of your truck. Nicely ask the same friend to lift and place the driver side assembly into the bed and seat the panel onto the center vert.
7. Install the driver side panel to the center vert using the remaining plain **BOLTS L** bolts. 27 in-lb.

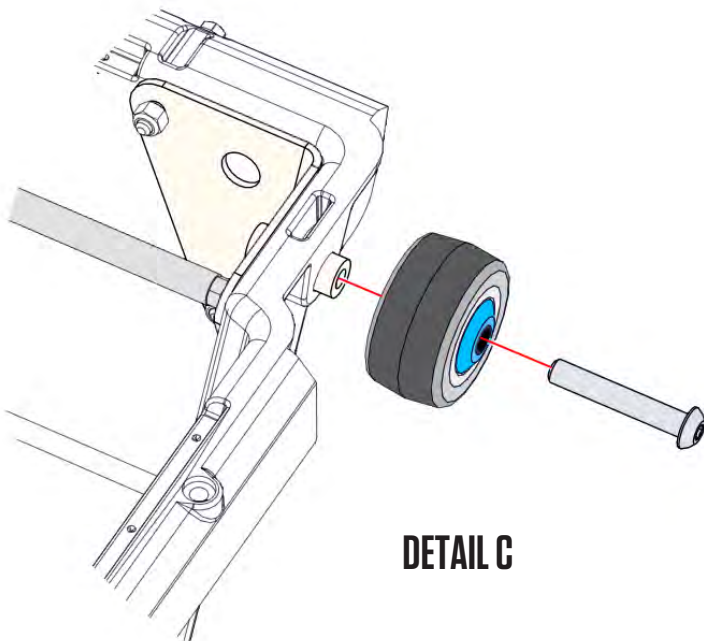
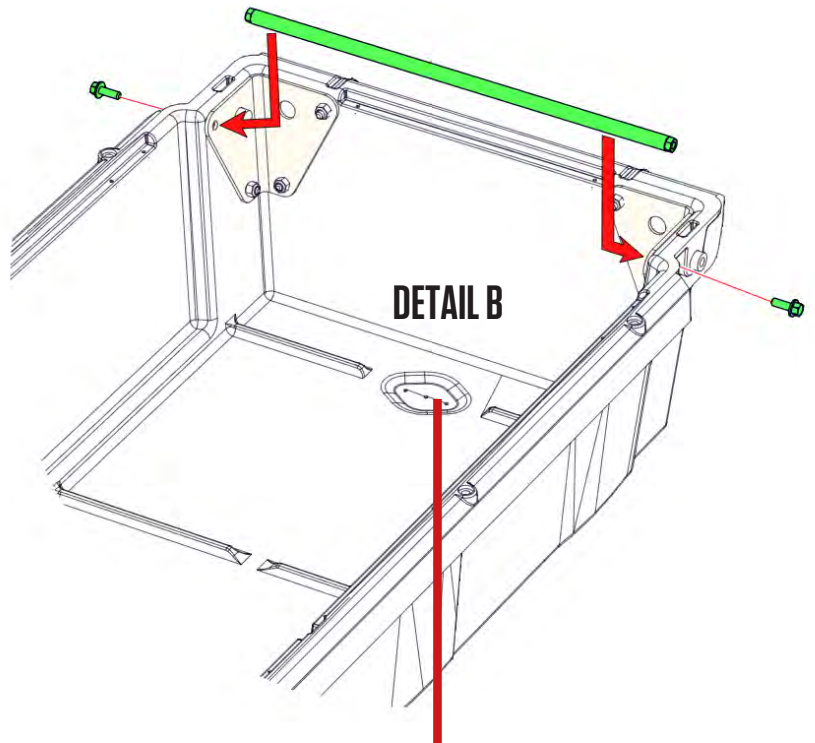
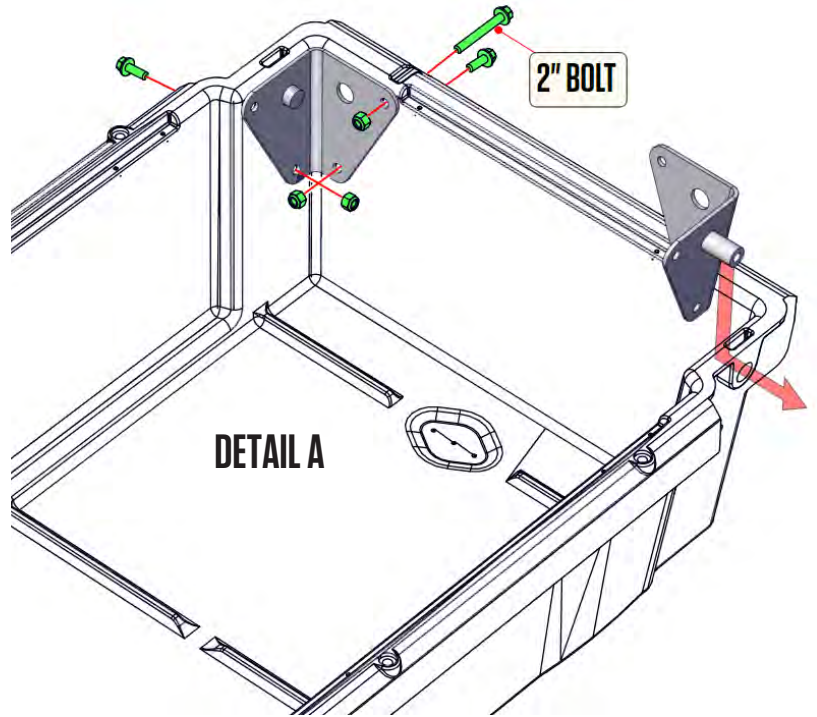


# DRAWERS: BRACKETS + WHEELS

(easier than falling off a log)

Grab your bag: **DRAWER 1, DRAWER 3, WHEELS**

1. Each drawer has a left and a right wheel bracket.
2. Place the brackets into the drawers as shown.
3. Install two 3/4" bolts into the bottom two bracket holes. Secure with nuts but leave loose.  
**DETAIL A.**
4. Install the 2" bolt into the back mounting hole where shown. Secure with a nut. 27 in-lb.  
**DETAIL A.** Tighten above nuts until snug. 27 in-lb.
5. Use two 3/4" bolts to install the tube brace in the **DRAWER 3** bag. 27 in-lb. **DETAIL B.**
6. Install the wheels with a 7/32" hex wrench. 90 in-lb. **DETAIL C.**
7. Repeat all steps for the other drawer.



**HELPFUL TIP:** If you purchased drain plugs, install now (instructions are included with drain plugs).

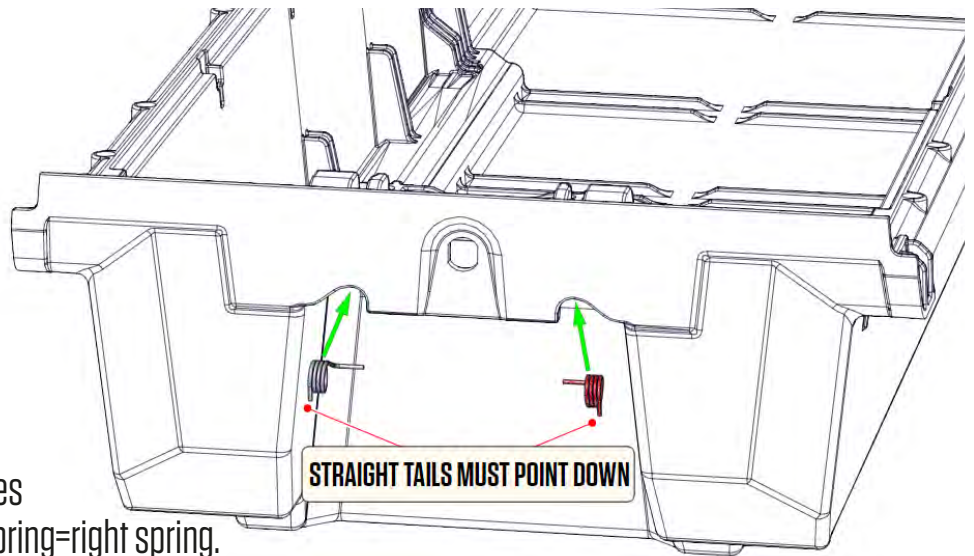


# INSTALL: DRAWER HANDLE

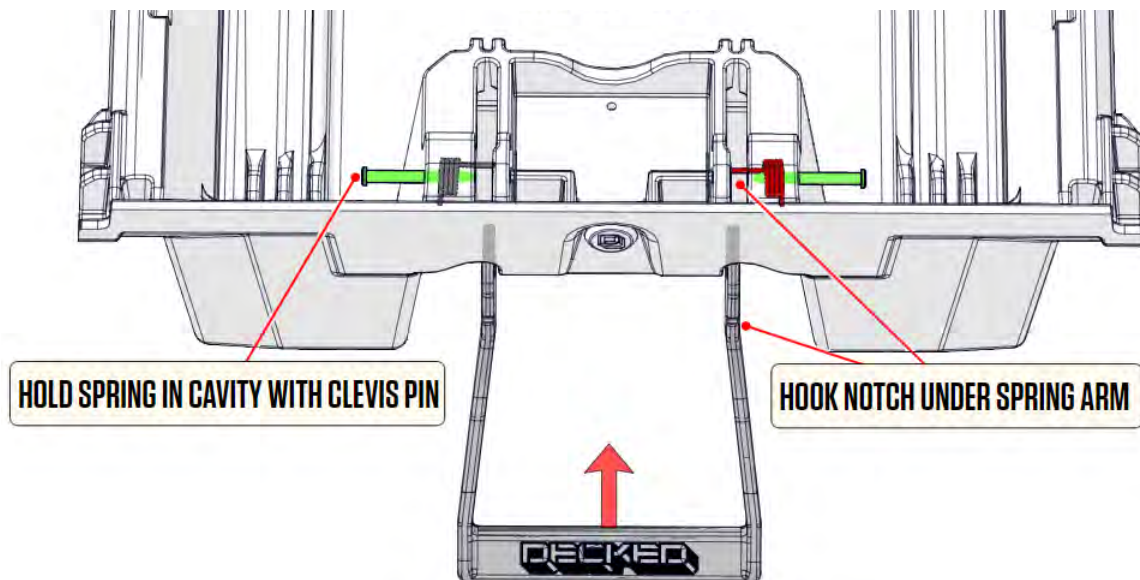
Grab your bag: **HANDLE**

1. OK, Sparky, one drawer handle assembly needs to be installed by you. We did the other one. Save yourself the headache, watch this short installation video: [DECKED.com/videohandle](https://www.decked.com/videohandle).

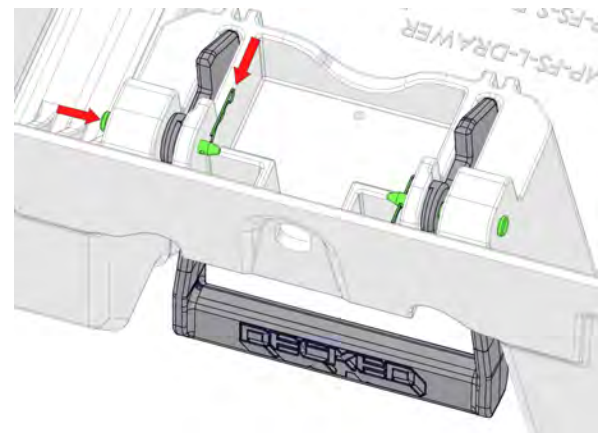
2. From the front face of the drawer, place the springs up and into the cavities on either side of the handle slots, red spring=right spring.



**NOTE: Each spring arm should point inward, with the straight tails facing you and pointing down.**



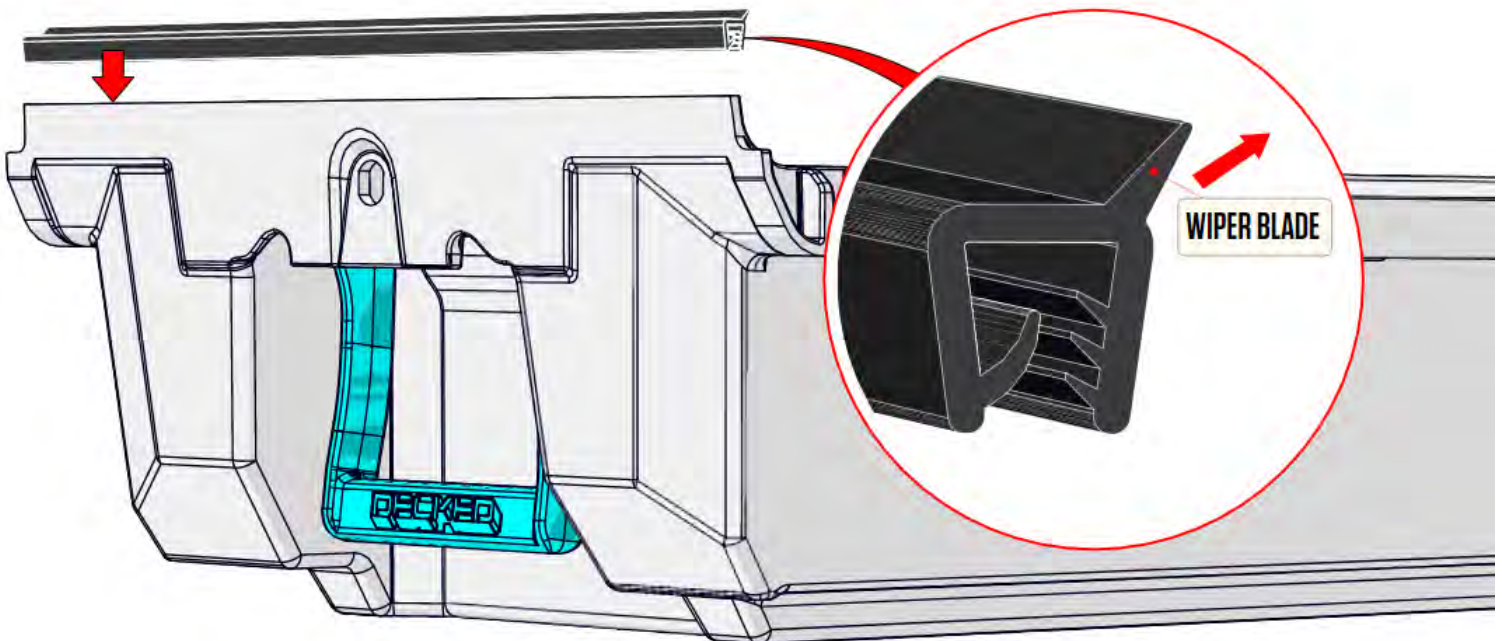
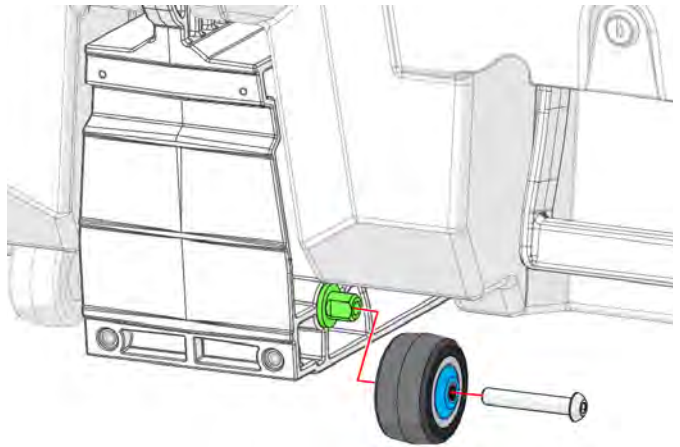
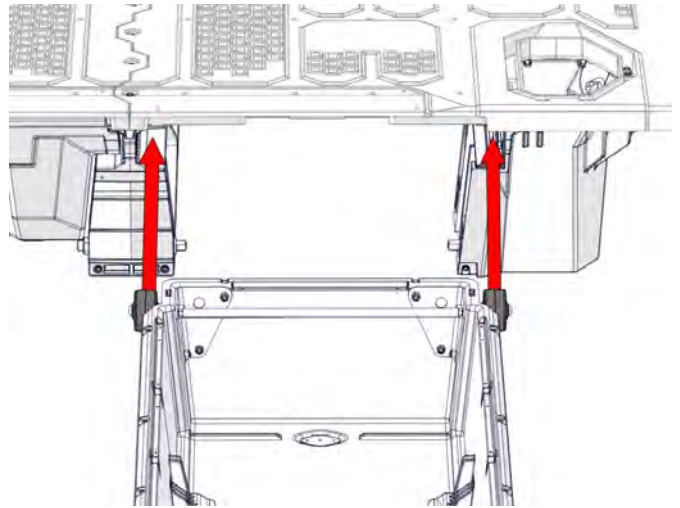
3. Install a clevis pin through each outside drawer hole and through the spring to hold the spring in place. Do not push through 2nd hole.
4. With the DECKED logo facing outward, insert the handle ends behind the spring arms. Hook the spring arms into the handle notches and rotate the arms of the handle toward the clevis pins, which will pull the spring arm downward and load the spring.
5. When the handle hole is aligned to the clevis pin, push the pin through the handle hole and through the inside drawer hole. Repeat on the other side of the handle.
6. Install a hair pin through each clevis pin. Check function.



# INSTALL: DRAWERS

## Grab your bag: **WHEELS**

1. Save yourself the headache, watch this short installation video: [DECKED.com/video/tailgatewheels](https://www.decked.com/video/tailgatewheels).
2. Install the drawer by sliding wheels into their two channels (C-channel and center vert) and slide the drawer all the way forward until closed.
3. Install the remaining tailgate side wheels onto their axles. 90 in-lb. Install the weatherstrips **AFTER** you install the wheels. **NOTE: Placing a spacer under the drawer to raise it into position makes this easier (ammo can lids work well or a small piece of 2x2 or 2x4).**
4. Install the weather strips on the tailgate side drawer edge: With the weatherstrip wiper facing cabside, line up one end with the side of the drawer and place on the top drawer edge, firmly pressing down on the weatherstrip as you move along the drawer edge.  
**NOTE: Facing the weather stripping the wrong way will funnel water into drawer: **BAD**.**

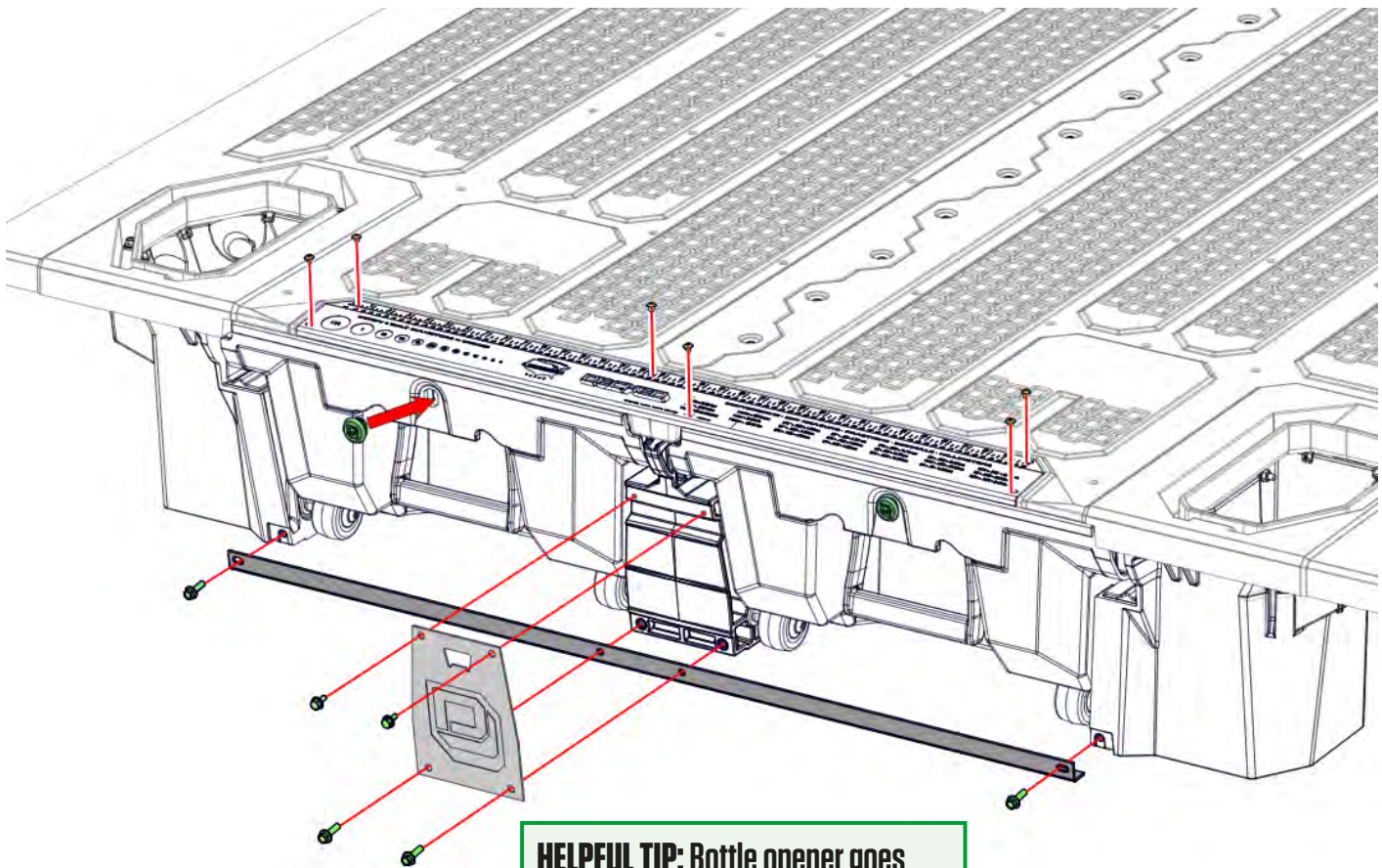




# INSTALL: THE FUN STUFF

## Grab your bag: **FINAL FS**

1. Slide torsion brace under center vert and tailgate ammo cans. The side without the holes slides **UNDER** the center vert and tailgate ammo cans. Place bottle opener on the outside of the torsion brace.
2. Loosely install (start with your fingers to avoid cross-threading):
  - Two 1/2" black bolts through the upper holes in the bottle opener into the center vert - leave loose.
  - Two 1" black bolts through the bottom bottle opener holes and torsion brace into the center vert inserts - leave loose.
  - Two 1" black bolts through the end holes in torsion brace into the tailgate ammo can inserts - leave loose.
3. Align bottle opener to edges of center vert and tighten the four bottle opener bolts.
4. Tighten end bolts into tailgate ammo cans.
5. Install lock core plugs into the drawer lock holes or install locks if purchased. (Instructions included with locks)
6. Align the ruler plate on the tailgate end of the panels. Use an 1/8" hex wrench to install the six ruler screws into the panel inserts - do not overtighten these.



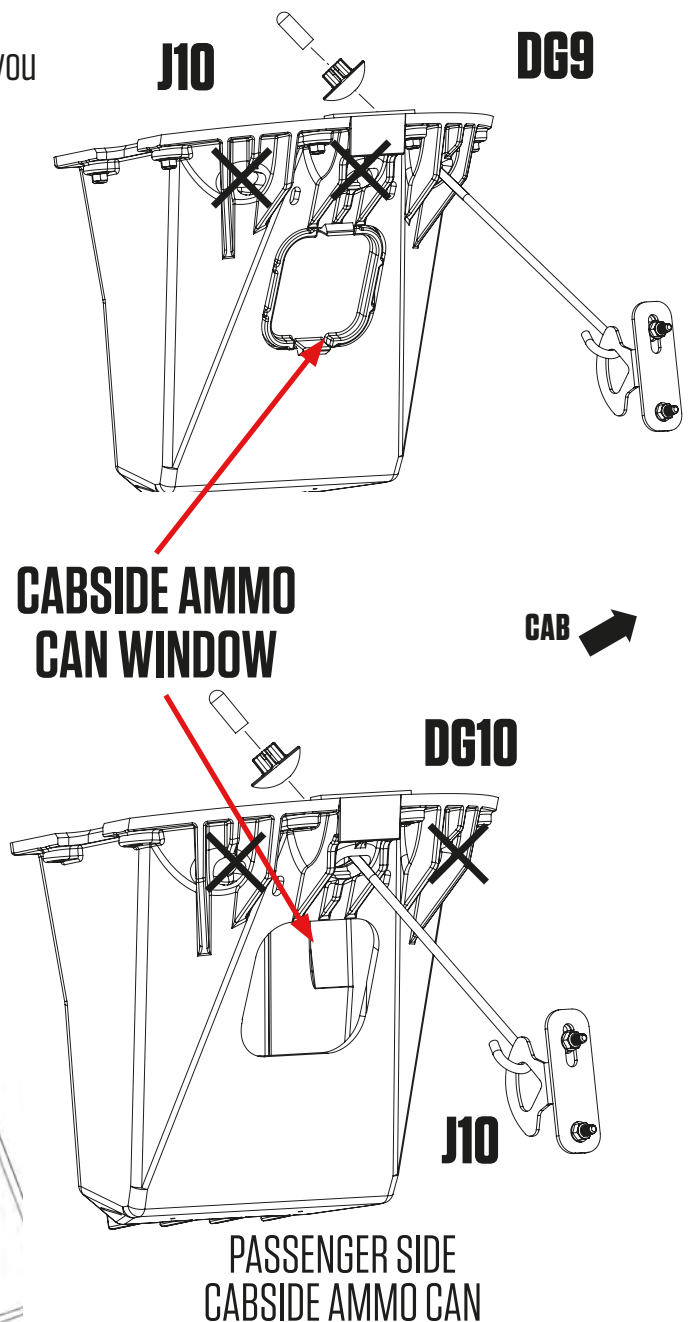
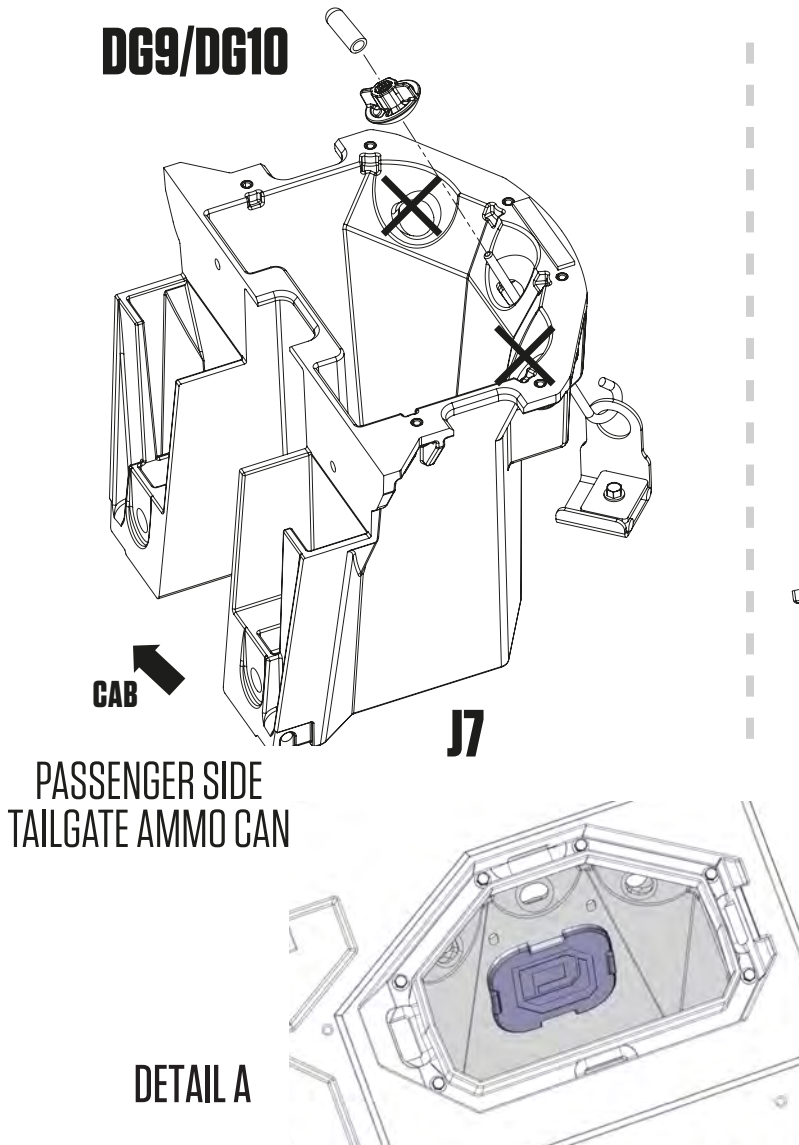
**HELPFUL TIP:** Bottle opener goes on the **outside** of the torsion brace.



# INSTALL: J-HOOKS

Grab your bag: **J7/J10**

- Insert the J-hook through the **center** hole on the passenger side tailgate ammo can and loop J-hook through tie down or mounting bracket in bed. Screw on the winged-spherical nut-washer, round side down, on the J-hook and fasten until finger tight; **BAG J7**. Don't tighten yet. If you do, you won't be able to center the system properly in your bed.
- Insert the J-hook through **cabside** hole for the **DG9** and the **center** hole for the **DG10** on the passenger side cabside ammo can and loop J-hook through tie down or mounting bracket in bed. Screw on the winged-spherical nut-washer, round side down, on the J-hook and fasten until finger tight; **BAG J10**. Don't tighten yet.
- Repeat with J-hooks and ammo cans on drivers side.
- Make sure to center the vert in the center of your bed. Don't worry about side gaps - center the vert (bottle opener) on the center rib/trough of the bed.
- Finally, tighten the J-hooks, gradually and alternately until you can't wiggle them with your fingers. **DO NOT OVER TIGHTEN.**
- Install the cabside ammo can windows. **DETAIL A.**



# INSTALL: DECKED 8' GUTTER ANGLE

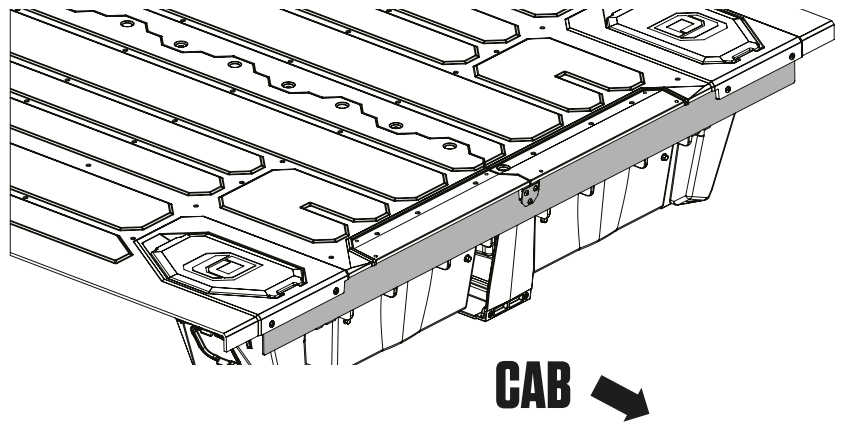
The gutter angle is designed to keep water from entering through the exposed cabside of the drawers. The gutter angle must be installed after the DECKED system is installed in your truck.

You may not need this gutter if you have a tool box or auxillary tank in the gap at the cabside.

## TOOLS REQUIRED

- **#3 Phillips head screwdriver**  
- you'll likely strip out the screws with a #2 - we've done it
- **7/16" wrench**

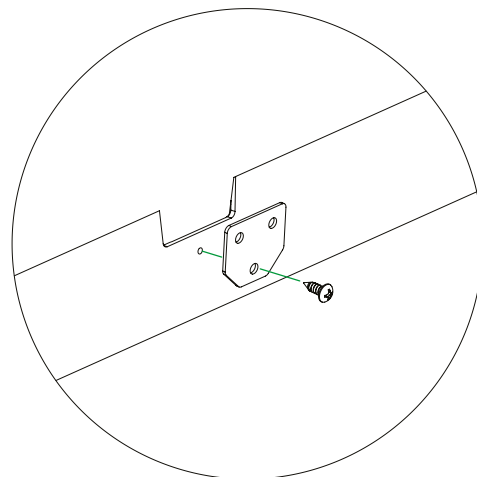
### COMPLETED INSTALLATION:



## STEP 1

### STEP 1: ATTACH CENTER PLATE TO GUTTER ANGLE

Use one of the three, self-tapping screws to install the 'home plate' bracket onto the gutter angle using the existing hole on the gutter angle and the single hole on the bracket. Fasten until snug - there is no nut used here.

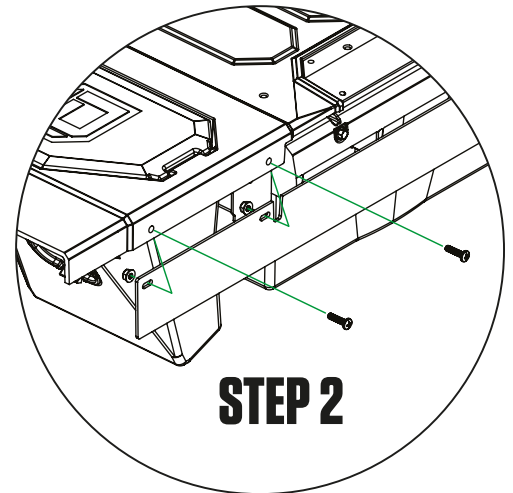


## STEP 2: PLACE GUTTER ANGLE

- Align the end holes in the gutter angle with the holes in the deck panel.
- Place the gutter angle behind the overhanging lip on the deck panel.

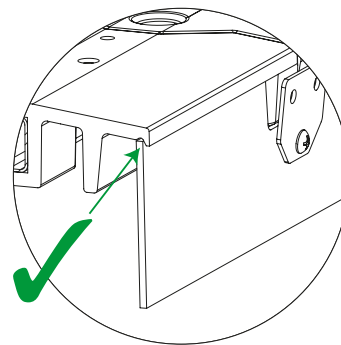
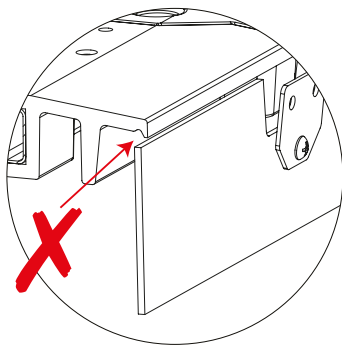
**IMPORTANT; GUTTER ANGLE MUST BE BEHIND LIP!!**

- Install the four 1" long screws into the deck panel, gutter angle, and nut.
- **LEAVE LOOSE.**



## STEP 3: VERIFY POSITION

- This next step is important, so PLEASE pay attention.
- Before securing any fasteners, ensure that the full length of the gutter angle is seated up and under the overhanging lip of the DECKED panel.
- If you see a gap between the DECKED panel and the gutter angle, the gutter angle is not seated high enough in the correct position and water will get into your drawers. **BAD.**

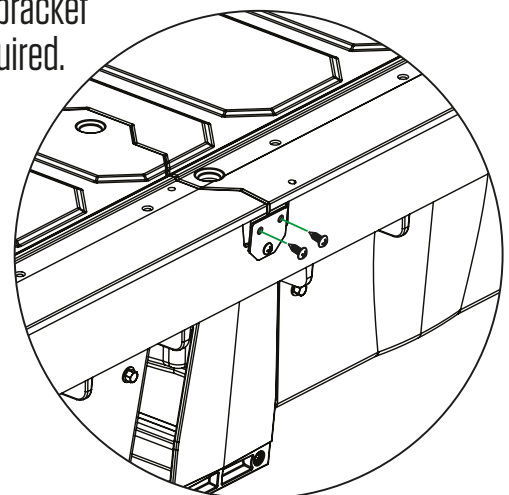


**STEP 3**

## STEP 4: ATTACH GUTTER ANGLE

- Once you have ensured that the gutter angle is seated as high as it can be in the slot **BEHIND** the overhanging lip, use the remaining two screws to fasten the plate bracket to the tabs on the panels. These are self-tapping; no pilot holes are required.
- Tighten the four outbound screws and nuts just until snug.
- Double check for any gaps or bowing.
- You're done!

**STEP 4**



**QUESTIONS? CALL US AT 208.806.0251**



# INSTALLATION INSTRUCTIONS: GM TAILGATE CABLE BOLTS

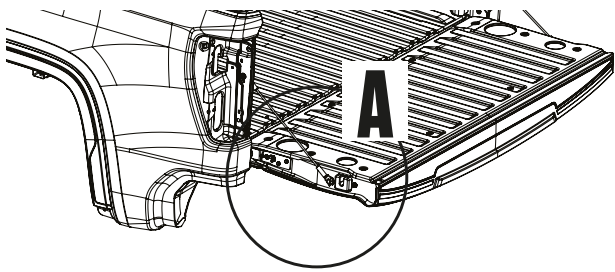
Does your tailgate slope upwards when open? No problem, read below:

If your drawers rub, substitute the factory-supplied tailgate cable mounting bolts with included DECKED cable bolts. Our bolts have smaller diameter shoulders allowing the tailgate to sit flatter.

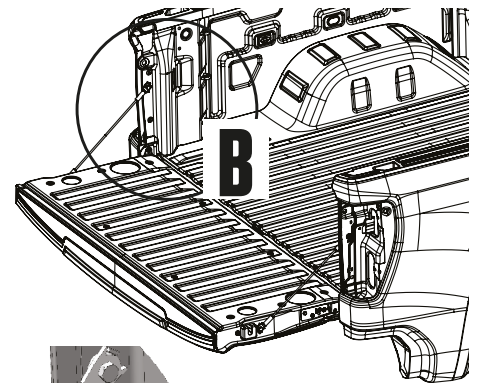
DECKED has utilized an independent testing lab to physically test the tailgate cable assembly with the modified bolts to ensure tailgate load capacity has not been diminished.

You'll need a 13mm and 15mm socket or a crescent wrench.

- Open tailgate and rest the underside of the tailgate on a protected support surface.
- Using a 13mm socket, remove the shoulder screw securing the driver side cable attachment to the tailgate, DETAIL A.
- Referencing the image below, remove the push nut fastener that retains the shoulder screw and locating washer to the cable. Easiest to just snip the push nut with wire cutters to remove, they are not needed for reuse.
- Replace the factory supplied shoulder bolt with the silver shoulder bolt supplied in your kit, ensuring you reassemble the locating washer in the same orientation as when you removed it. Reference installed views below for locating washer orientation.
- Loosely assemble the tailgate end of the cable to the tailgate, orienting the locating washer tab into the rectangular hole in the tailgate.
- Using a 15mm socket, tighten bolt to 11 ft-lb.
- Repeat steps 1-5 for the tailgate end of passenger side cable.
- Repeat steps 1-5 for the driver and passenger side vehicle cables, DETAIL B.



**DETAIL A**  
TAILGATE ATTACHMENT  
DRIVER SIDE SHOWN  
PASSENGER SIDE OPPOSITE

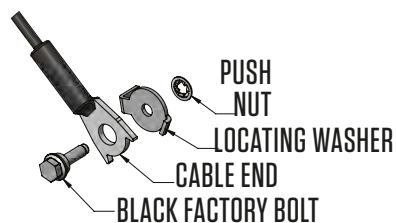


**DETAIL B**

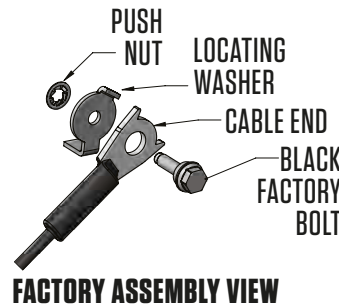
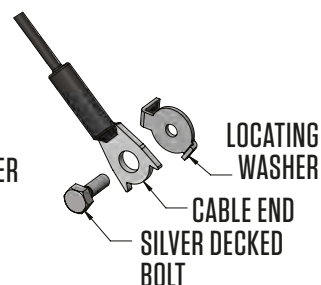


VEHICLE BED ATTACHMENT  
DRIVER SIDE SHOWN  
PASSENGER SIDE OPPOSITE

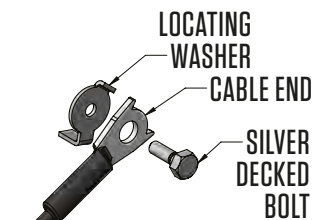
## FACTORY ASSEMBLY VIEW



## DECKED ASSEMBLY VIEW



**FACTORY ASSEMBLY VIEW**



**DECKED ASSEMBLY VIEW**

# DECKED Products – Limited Lifetime Warranty

(Valid on DECKED Products purchased on or after 8/1/2021)

DECKED LLC, (the “Manufacturer”) warrants the original purchaser only that DECKED Truck and Van Products (The “DECKED” Product) will be free from defects in material and workmanship from the date of purchase and continuing for the expected lifetime of the DECKED Product. The DECKED Product must be registered by the original purchaser with DECKED, LLC via its website at, [www.decked.com/register](http://www.decked.com/register), and a copy of the original sales receipt must be supplied to the Manufacturer at the time a warranty claim is made. This warranty terminates if the original purchaser transfers the DECKED Product to any other person or vehicle.

## WHAT IS COVERED

All DECKED Products identified above on or after August 1, 2021

**DECKED's Limited Lifetime Warranty applies to US and Canadian customers only. International shipments are covered by DECKED's 3 Year Limited Warranty.**

## WHAT WE WILL DO TO CORRECT PROBLEMS

Subject to the limitations and exclusions described in this limited warranty, the Manufacturer will remedy defects in workmanship or materials by providing one of the following remedies at its option and without charge to the original purchaser for parts: (a) repairing the defective portion of the DECKED Product or (b) replacing the entire DECKED Product. In addition, the Manufacturer may elect at its option not to repair or replace the DECKED Product, but rather issue to the original purchaser a refund equal to the purchase price paid for the DECKED Product or a credit to be used towards the purchase of a new DECKED Product.

## WHAT IS NOT COVERED

This limited warranty expressly excludes:

- Damage or defects caused by normal wear and tear, cosmetic rust, scratches, accidents, unlawful vehicle operation, installation in a non-supported vehicle or installed in a vehicle which does not match the DECKED Product's SKU-intended fitment or use, or modification of the product, or any types of repair of a DECKED Product other than those authorized or provided by the Manufacturer.
- Damage or defects resulting from conditions beyond the Manufacturer's control and specifications including, but not limited to modification, misuse, overloading, or failure to assemble, install or use the DECKED Product in accordance with the Manufacturer's written instructions or guidelines included with the DECKED Product or separately made available to the original purchaser.
- Damage to the contents of the DECKED Product or vehicle.
- TO THE EXTENT PERMITTED BY LAW, IN NO EVENT SHALL THE MANUFACTURER BE LIABLE FOR ANY INCIDENTAL, SPECIAL, INDIRECT, OR CONSEQUENTIAL DAMAGES, INCLUDING ECONOMIC LOSS, WHETHER RESULTING FROM NONPERFORMANCE, USE, MISUSE, OR INABILITY TO USE THE DECKED PRODUCT OR THE MANUFACTURER'S NEGLIGENCE.

## NO OTHER EXPRESS WARRANTY APPLIES

This Limited Lifetime Warranty is the sole and exclusive warranty for DECKED Products. No employee, agent, dealer, or other person is authorized to alter this warranty or make any other warranty on behalf of DECKED LLC.

## NOTIFICATION PROCEDURES

If the DECKED Product does not conform with the terms of this limited warranty, the original purchaser must promptly notify the Manufacturer in writing upon discovery of the nonconformity. In order to receive remedies under this limited warranty, a warranty claim must have been registered with DECKED LLC by the original purchaser, must describe the nature of the products nonconformity, include a copy of the original sales receipt, invoice, or other proof of purchase and be accompanied with photos or video. Repairs or modifications made to the DECKED Product by other than the Manufacturer or its authorized agent will nullify this limited warranty. Coverage under this limited warranty is conditioned at all times upon the owner's compliance with these required registration, notification, and repair procedures.

Product registration may be performed at: <https://decked.com/register>

Warranty claims must include reciprocal contact information and may be made via certified mail or email to:

**DECKED** Warranty and Claims

Contact info:

**DECKED LLC**

PO Box 885

Ketchum, ID 83340

[warranty@decked.com](mailto:warranty@decked.com)

208-806-0251

