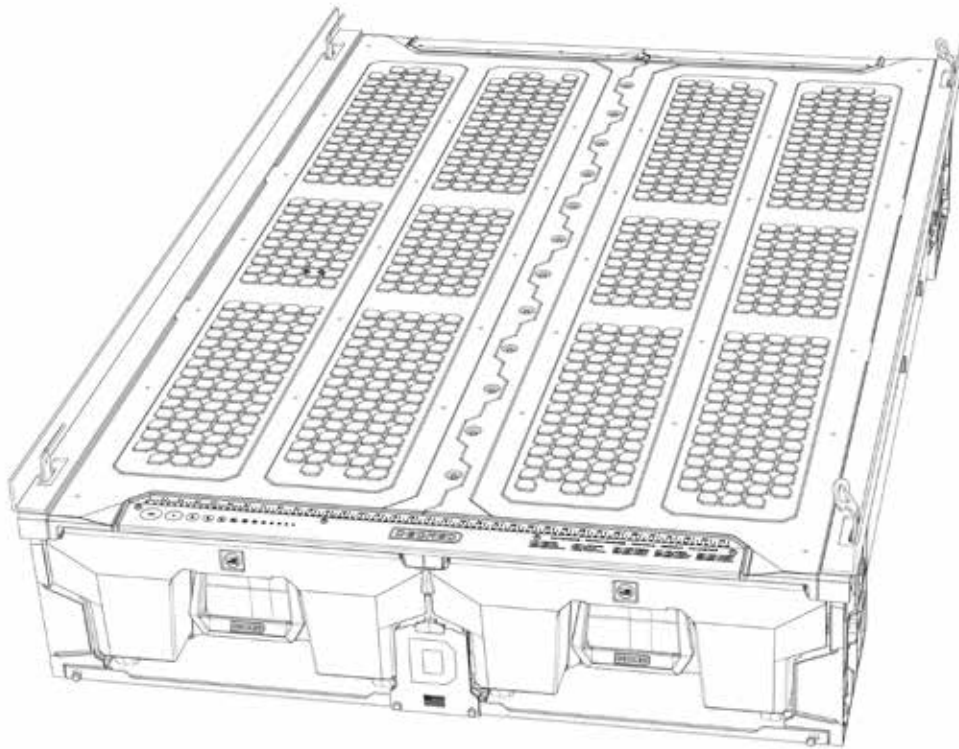


DECKED

INSTALLATION INSTRUCTIONS*



XSB SERVICE BODY

*Trust us on this one; don't go commando and attempt your install without reading. You'll just cuss a bunch and create even more chaos in your truck bed.

TOOLS REQUIRED

- 7/16" wrench
- 3/8" socket
- 3/16" and 7/32" hex keys
(we included these for you, but you may prefer your own)
- Needle nose pliers
- Drill with 5/16" drill bit
- Phillips head screwdriver x 2
- Trusted friend with a weak mind and a strong back.

INSTALL VIDEO

High tech link to video here or you can visit decked.com/video



HEY! TORQUE BOY

READ BEFORE YOU INSTALL

Welcome to DECKED! In a world of crappy instructions, bad advice, and questionable sources of truth, we are here to make sure that your install goes as smoothly as possible, saving you headaches and heartburn. That said, your part is to read the darned instructions!

1. Drop in bed liners need to be removed before installing a DECKED drawer system.
2. Only use cordless screw guns or drivers with a clutch and speed setting adjustment.
3. Set your clutch down in the bottom 1/3 of the available torque settings.
4. Set your drill speed to the slowest speed.
5. We tell you all of this to prevent you from blowing up the inserts and setting your install back. Start screws into inserts with your fingers to make sure you don't cross-thread.
6. Do NOT use pneumatic air tools or old school tools with no torque settings.

*NOTE: Two extra threaded inserts are included in the PREP-EXTRA bag. That's all you get big timer, unless you call us and ask for more. The repair inserts will replace any stripped inserts in the corner support feet and the vert. So, hand-tighten until snug only! You can also screw the feet inserts back in if dislocated. Use a flat screwdriver to screw them back in from below.

CONTENTS

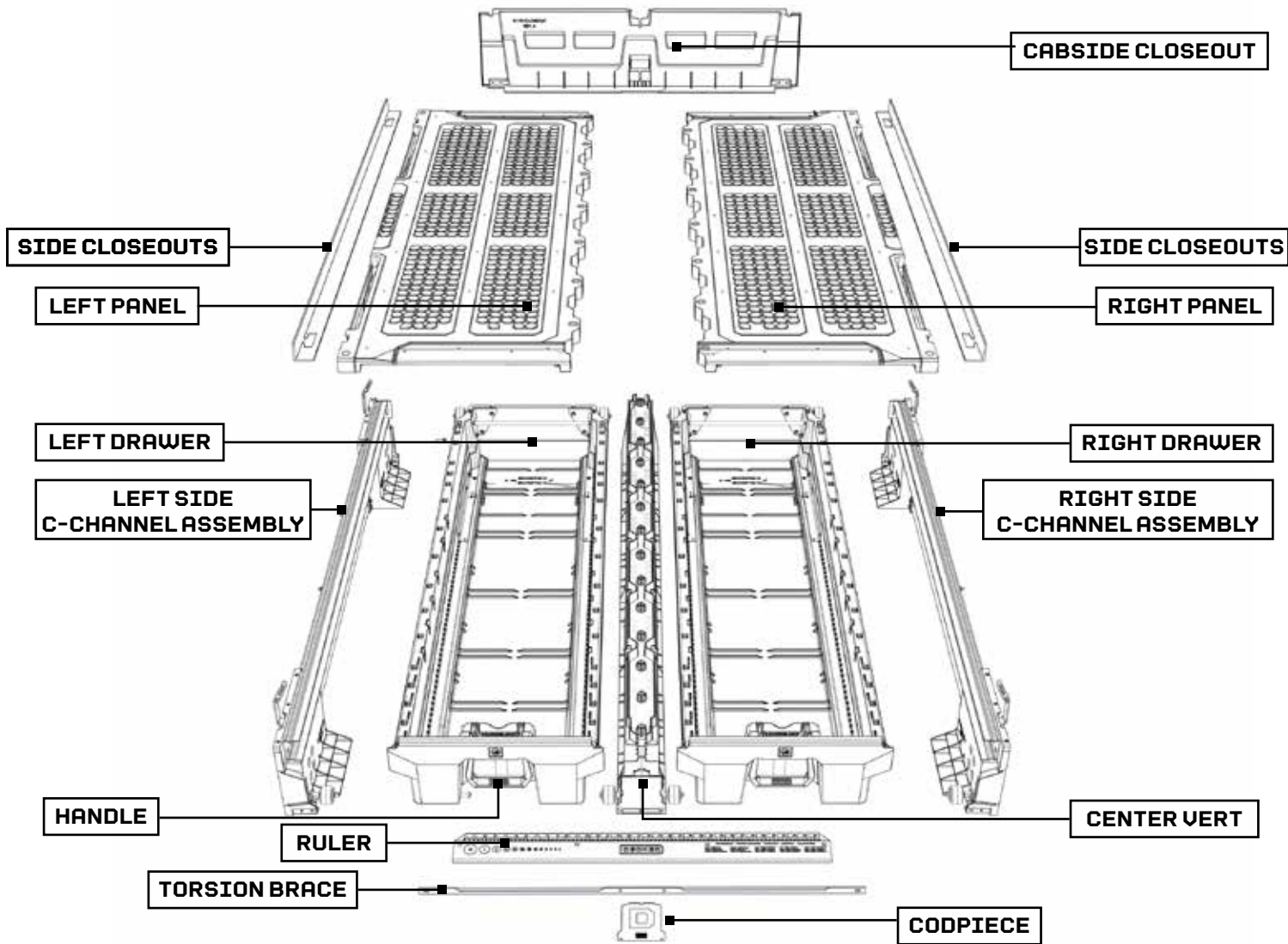
DECKED CARTON

C-CHANNELS	2
SUPPORT FEET (2 HAVE AXLES).....	4
LEFT/DRIVER PANEL	1
RIGHT/PASSENGER PANEL.....	1
CABSIDE CLOSEOUT	1
CENTER VERT (AXLE INSTALLED)	1
DRAWERS (ONE HANDLE INSTALLED)	2
TORSION BRACE.....	1
SIDE CLOSEOUTS.....	2
RULER	1
HARDWARE KIT	1
SIXER CASE	1
HALFRACK CASE.....	1
DRAWER DIVIDERS	2
DRAWERGANIZER	1

HARDWARE BOX

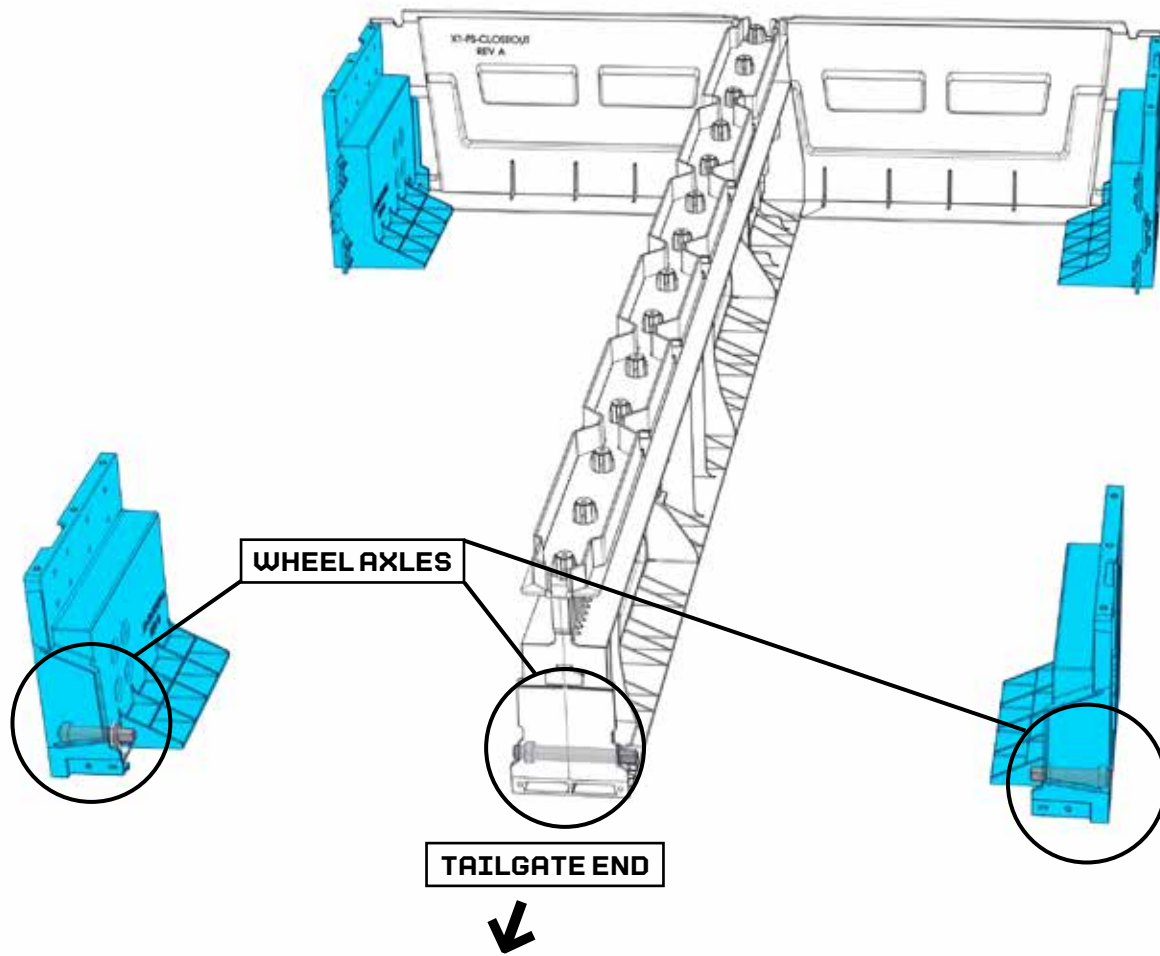
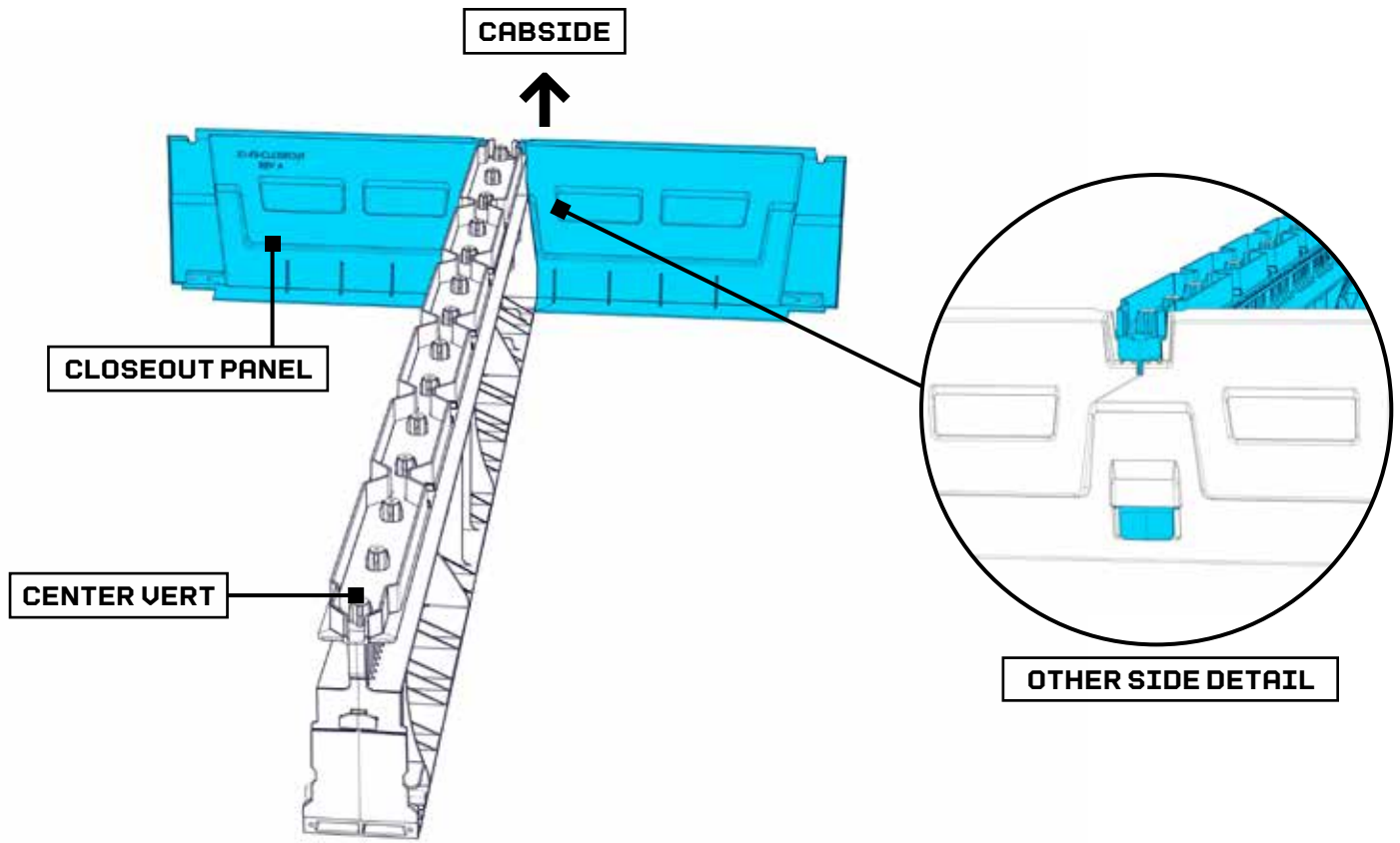
PREP XSB
PREP XSB HW
C-CHANNELS
PREP EXTRA
BOLTS
DRAWER BRACKETS
DRAWER HW
TUBES
HANDLE
HANDLE HARDWARE
XY WHEELS x 2 bags
FS SCREWS
RAMBOX/SB PLUGS
CODPIECE
WEATHERSTRIPS
3/16" HEX KEY
7/32" HEX KEY
PRIMER
BARREL NUTS/SCREWS - LONG DRAWERS ONLY (6'4" - 8' beds: Bag included in outer carton)

ASSEMBLY OVERVIEW



STEP 1: ARRANGE YOUR ARRANGEMENT

1. Hook center vert tabs into cabside closeout panel slots and push vert down to engage.
2. On flat ground arrange the four support feet and vert assembly as shown. The tabs on the support feet must face each other.
3. All three axles must be located at the tailgate end of your lay out.

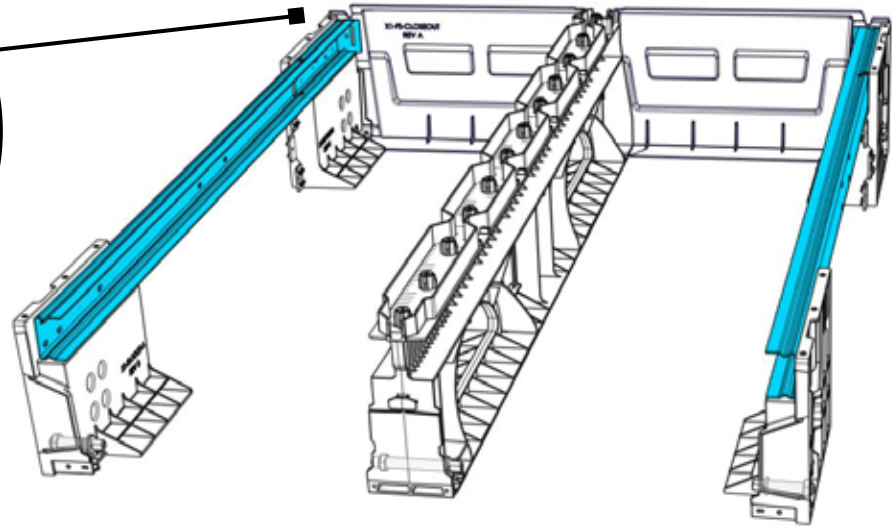


STEP 2: CHANNEL YOUR ENERGY

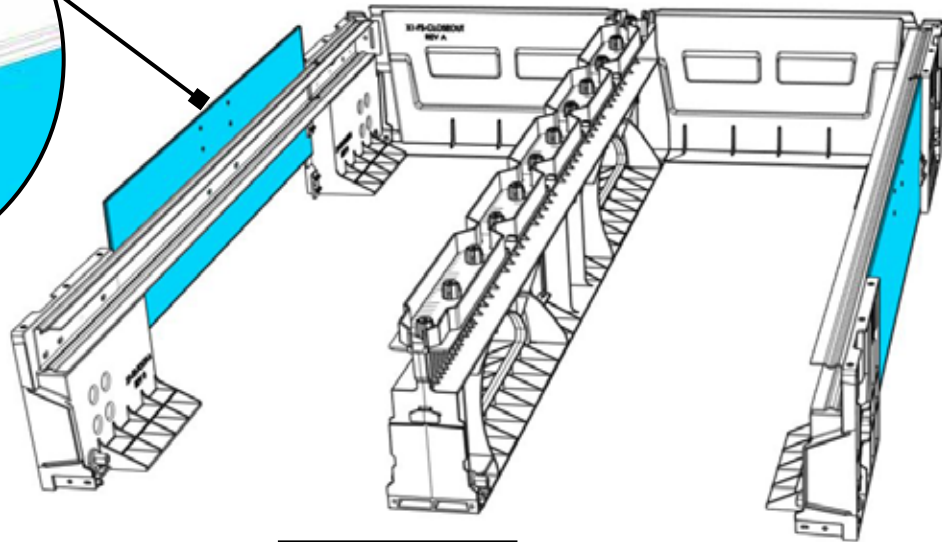
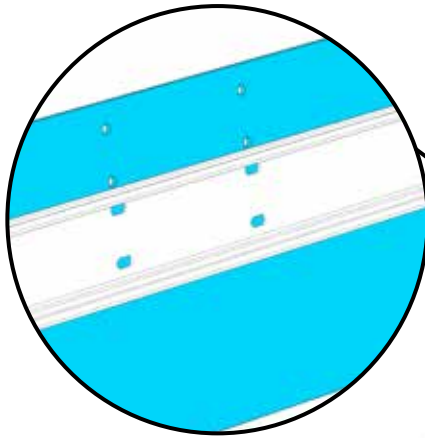
1. Place a C-Channel on the ledges of the corner feet on each side as shown. The end plate **MUST** be on the cabside of the assembly.
2. Slide a side closeout panel down between the tabs on the support feet on both sides. Make sure the mounting holes in the closeout panel align with the mounting holes in the C-Channels.



END PLATE ON CABSIDE



TAILGATE END



TAILGATE END

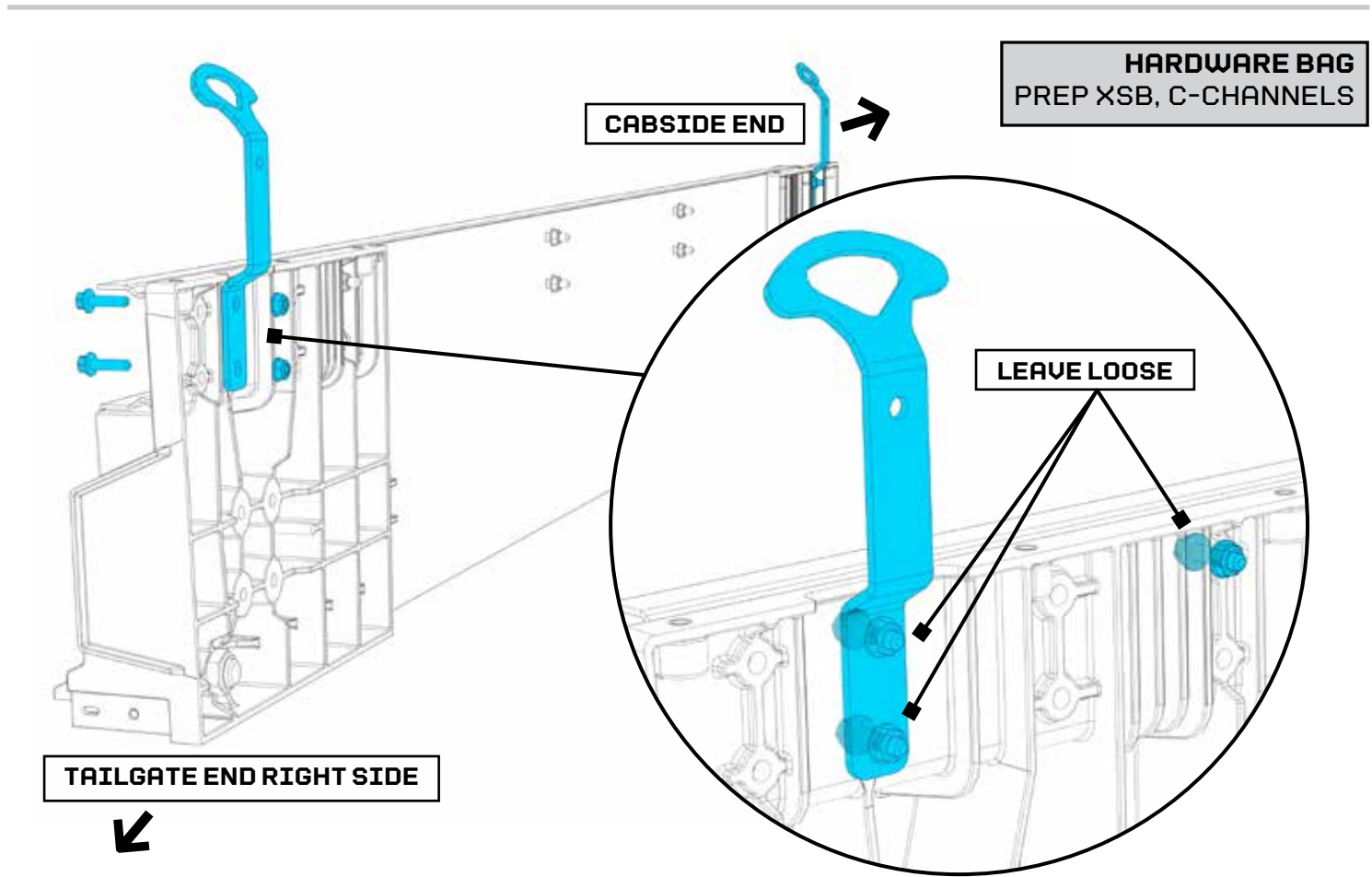
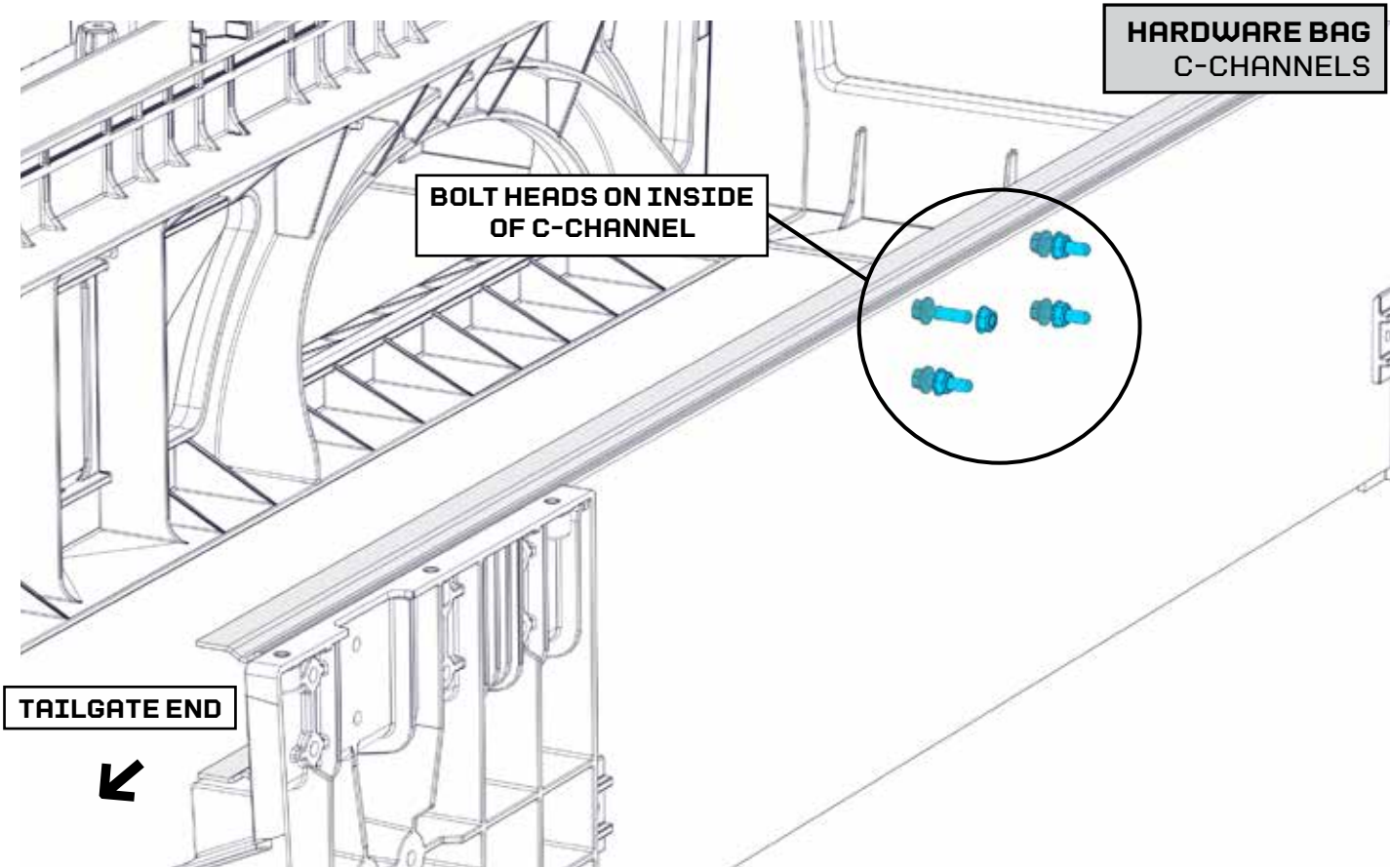
STEP 3: GET BOLTED

1. Secure the left and right side closeout panels to the C-Channels using the 1" bolts and flanged nuts.

NOTE: All bolt heads must be on the inside of the C-Channel.

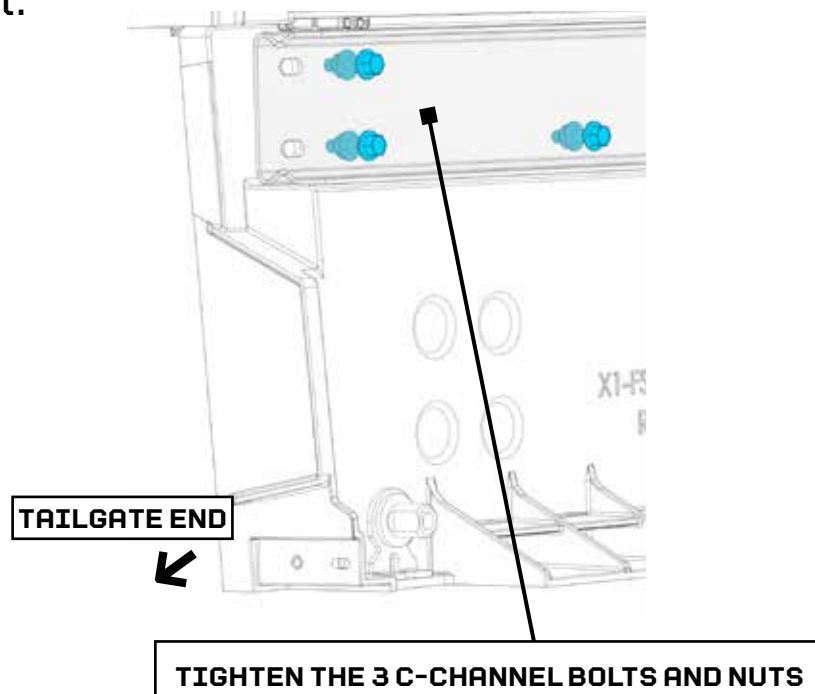
2. Install one Service Body mounting/tie down bracket onto the outside of each corner foot using the C-Channels nuts and bolts. Leave the tailgate foot bolts loose for now.
3. Install one additional nut and bolt through the slotted mounting holes in the C-Channel and into the support foot. The slotted hole may be on the top or bottom of the C-Channel, depending on the side. Leave the tailgate foot bolts loose for now.

There should be 10 bolts and nuts installed on each side.

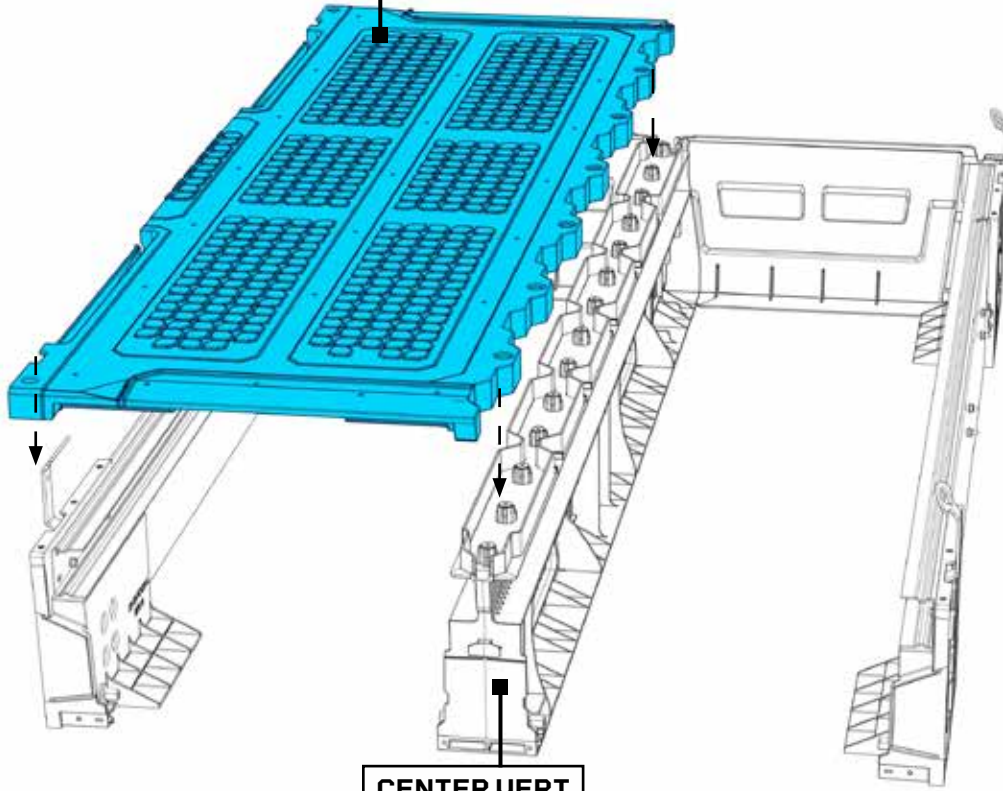


STEP 4: GET DECKED

1. Ask your buddy to help you place either panel on the left side of the assembly. Make sure the cabside closeout panel is seated under the deck panel.
2. Align the deck mounting holes to the inserts in each corner foot. You may need to move the tailgate foot fore/aft to align.
3. Repeat with the other panel.
4. Once all mounting positions are aligned, use three BOLTS in each corner to fasten the panel to the cabside feet. Tighten just until snug. Repeat with the tailgate feet.
5. Now you can tighten the three C-channel bolts and nuts on each tailgate foot.

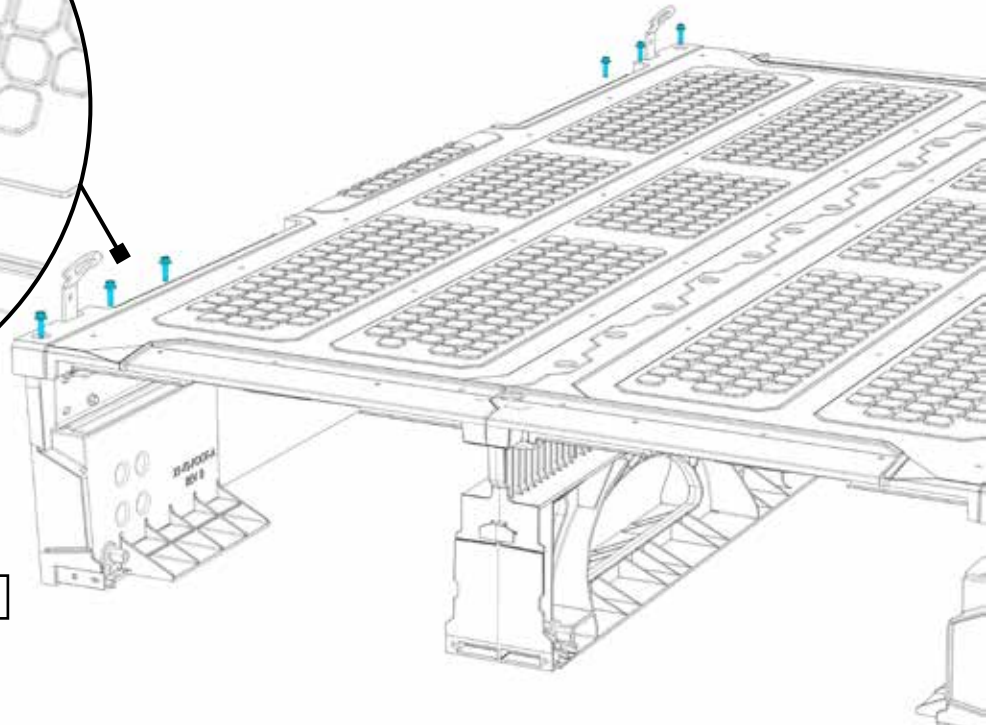
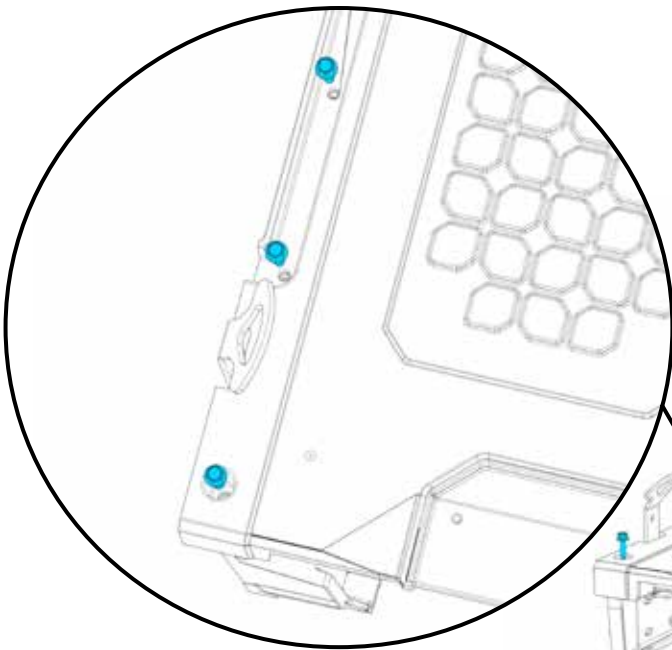


LEFT PANEL



CENTER VERT

HARDWARE BAG
BOLTS



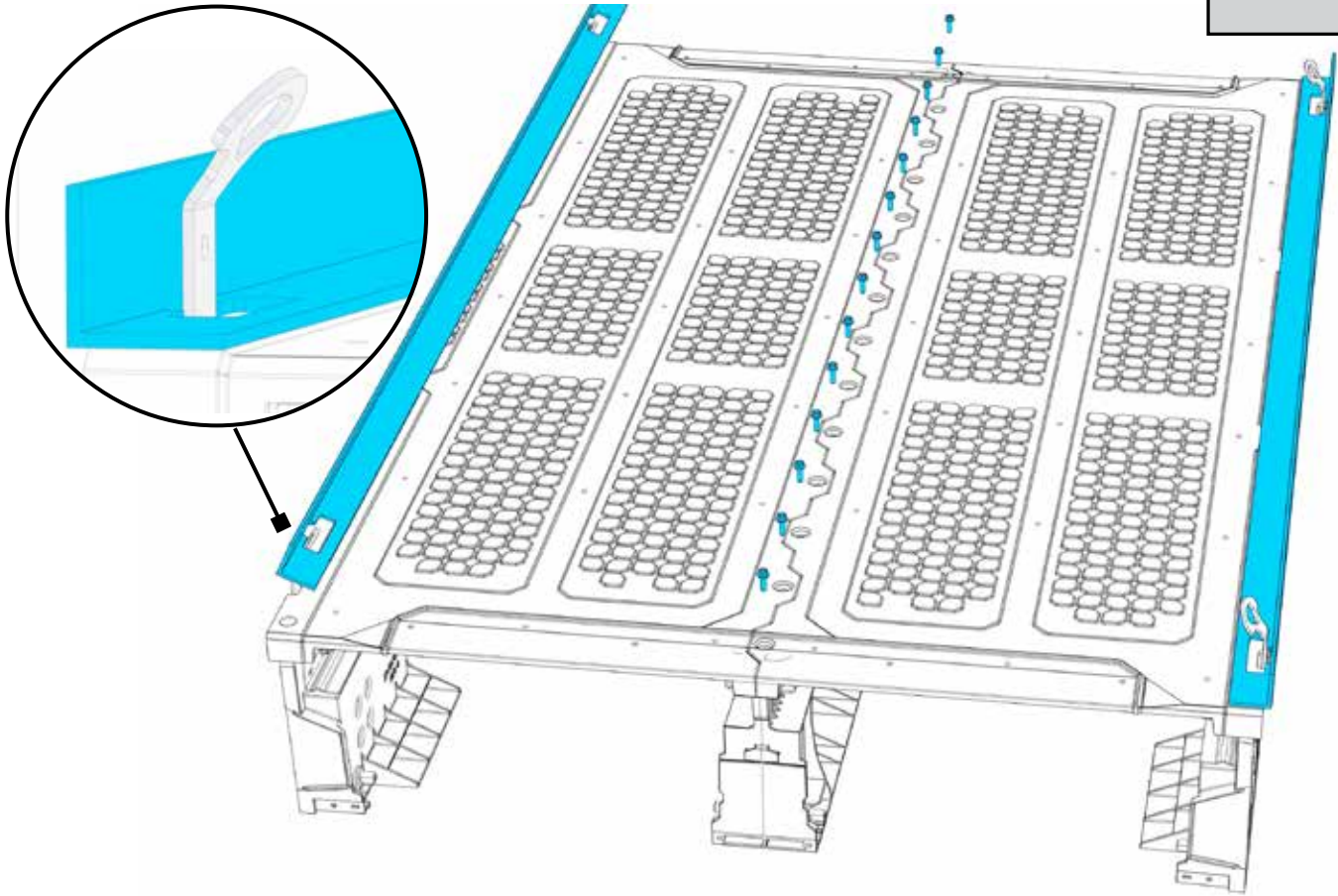
TAILGATE END



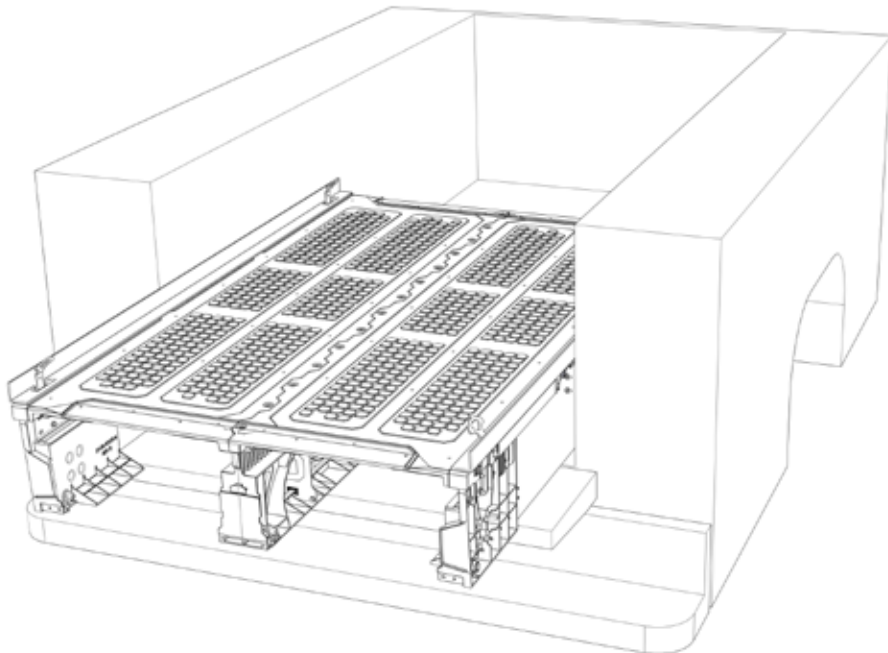
STEP 5: BOLT IT

1. Install all deck to center vert bolts down the zig zag center.
2. Install the aluminum side guards by rotating them over the tie down hooks.
3. Stretch your hamstrings.
4. Wake up your buddy and ask them to help you carefully lift the assembly into the back of the service bed. Make sure the assembly is supported on all sides when placing it into the bed.
5. Push the assembly all the way to the cabside for 6.5' service body beds. Leave a gap at the cabside for 8' service body beds.
6. Make sure the DECKED system is where you want it and you can close your tailgate.

**HARDWARE BAG
BOLTS**



CABSIDE



STEP 6:

ADORN YOUR DRAWERS

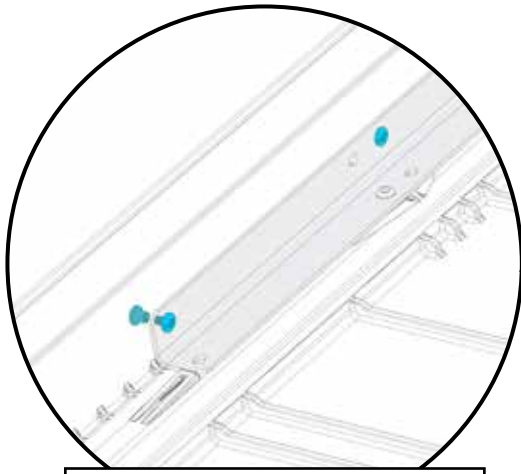
1. **LONG BED TRUCKS ONLY: (6'4" - 8' beds)**
Your drawers will have drawer braces pre-installed.
Look for the **BARREL NUTS/SCREWS** bag in the outer carton, not in your hardware kit.

Install two barrel nuts/screws through each drawer brace where shown.

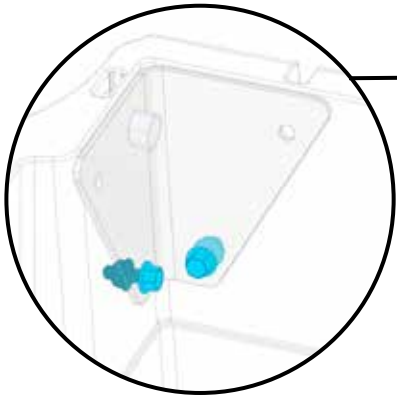
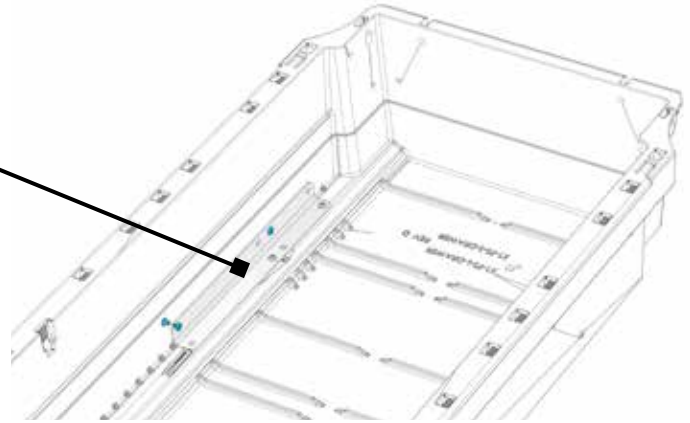
There are no drawer brackets in the short drawers (5'5" - 5'9" beds) - skip this step.

2. Each drawer has a left and a right wheel bracket.
3. Place the brackets into the drawers as shown.
4. Install two 3/4" bolts into the bottom two bracket holes. Secure with nuts and tighten until snug.
5. Install the 1.5" (the obviously longer one) bolt into the back mounting hole where shown. Secure with a nut and tighten until snug.
6. Use two 3/4" bolts to install the tube braces.
7. Install the **BIG** wheels with a 7/32" hex driver.
8. Flex for the neighbors.

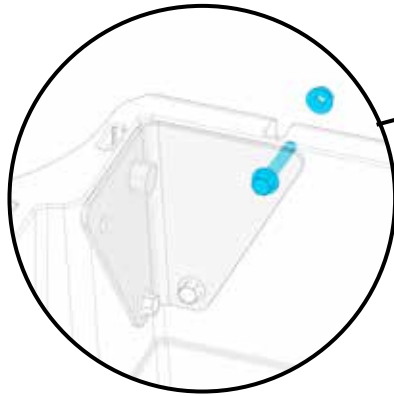
HARDWARE BAG
DRAWER BRACKETS, DRAWER HW, XY WHEELS,
TUBES, BARREL NUTS/SCREWS (long drawers only)



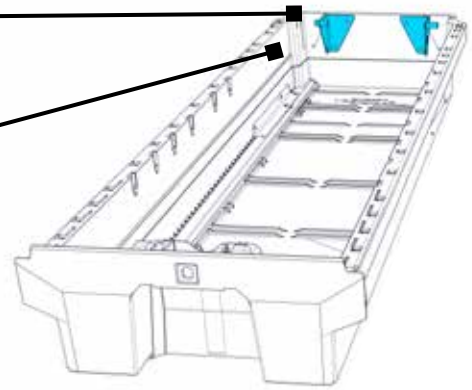
**BARREL SCREWS INSTALLED
INTO DRAWER BRACKETS.
LONG BEDS ONLY.**



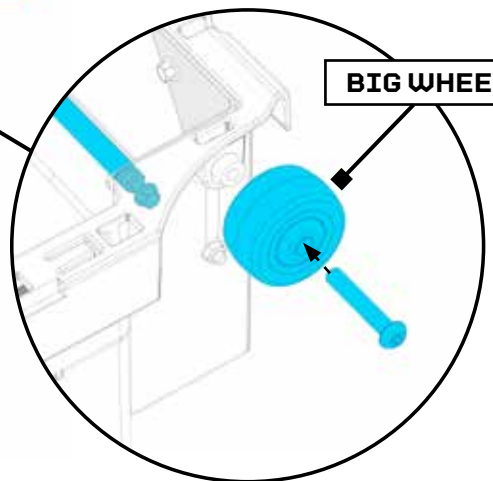
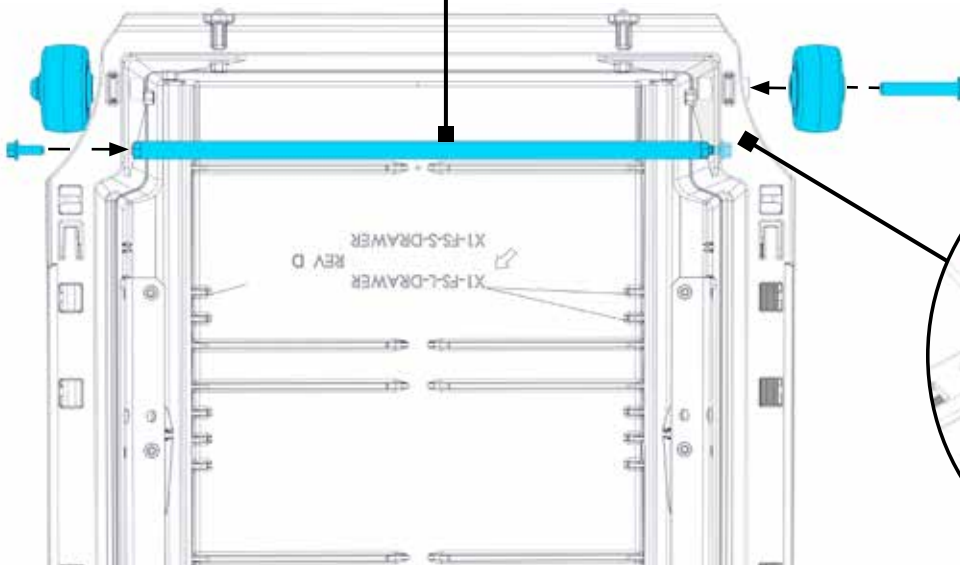
3/4" BOLTS



1.5" BOLT



TUBE BRACE

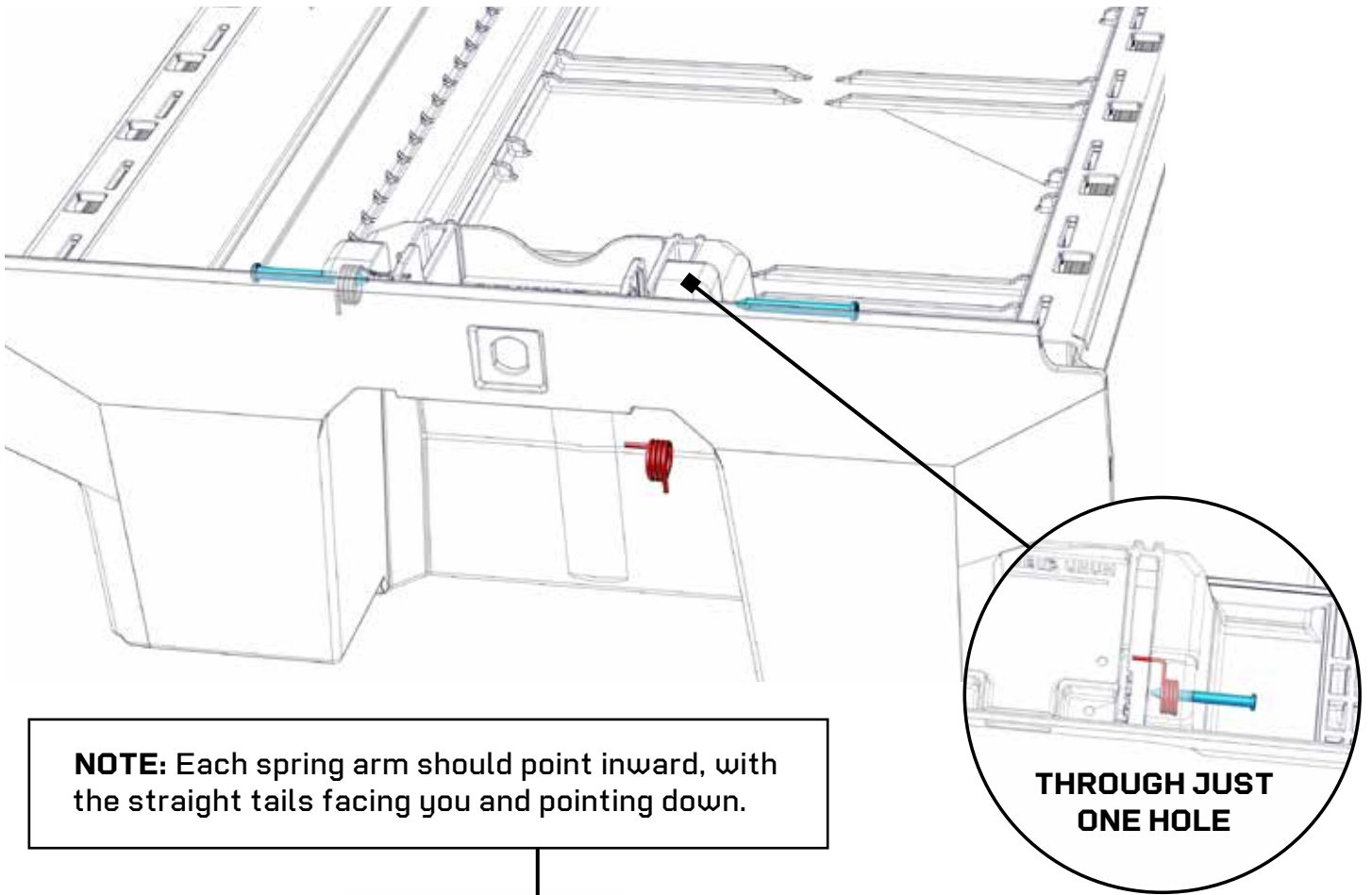


BIG WHEEL

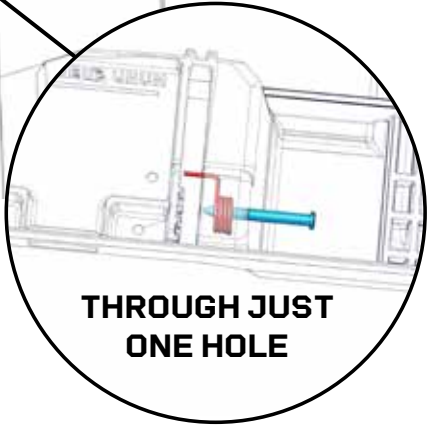
STEP 7:

THE LOVE HANDLE

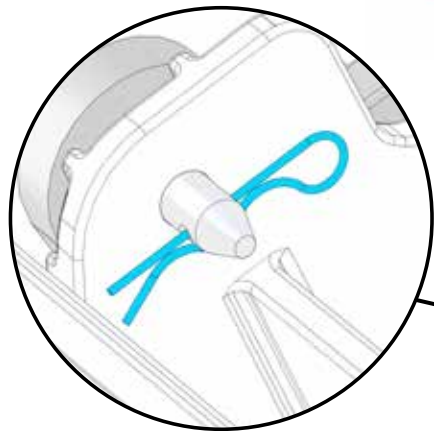
1. Ok, big timer, one drawer handle assembly needs to be done by you. Why? We had to fit every thing in one box!
2. Save yourself the headache, watch this short installation video: [DECKED.com/videohandle](https://www.decked.com/videohandle).
3. From the front face of the drawer, place the springs up and into the cavities on either side of the handle slots, red spring=right spring.
4. Install a clevis pin through each outside drawer hole and through the spring to hold the spring in place. Do not push through 2nd hole yet. If it's sticky you may need to lightly tap the clevis pin to get it threaded.
5. With the DECKED logo facing outward, insert the handle ends behind the spring arms. Hook the spring arms into the handle notches and rotate the arms of the handle toward the clevis pins, which will pull the spring arm downward and load the spring with pressure.
6. When the handle hole is aligned to the clevis pin, push the pin through the handle hole and through the inside drawer hole. Repeat on the other side of the handle. If it's sticky you may need to lightly tap with a hammer to get it all the way through.
7. Install a hair pin through each clevis pin. Check function, make sure your handle is snappy.



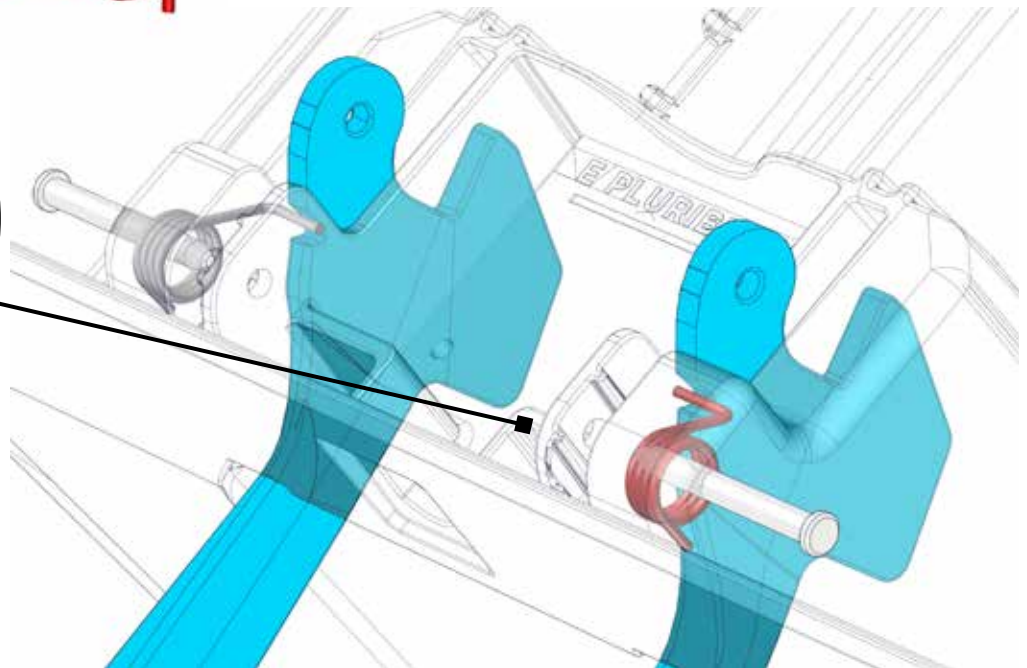
NOTE: Each spring arm should point inward, with the straight tails facing you and pointing down.



**THROUGH JUST
ONE HOLE**



ADD HAIR PIN



STEP 8:

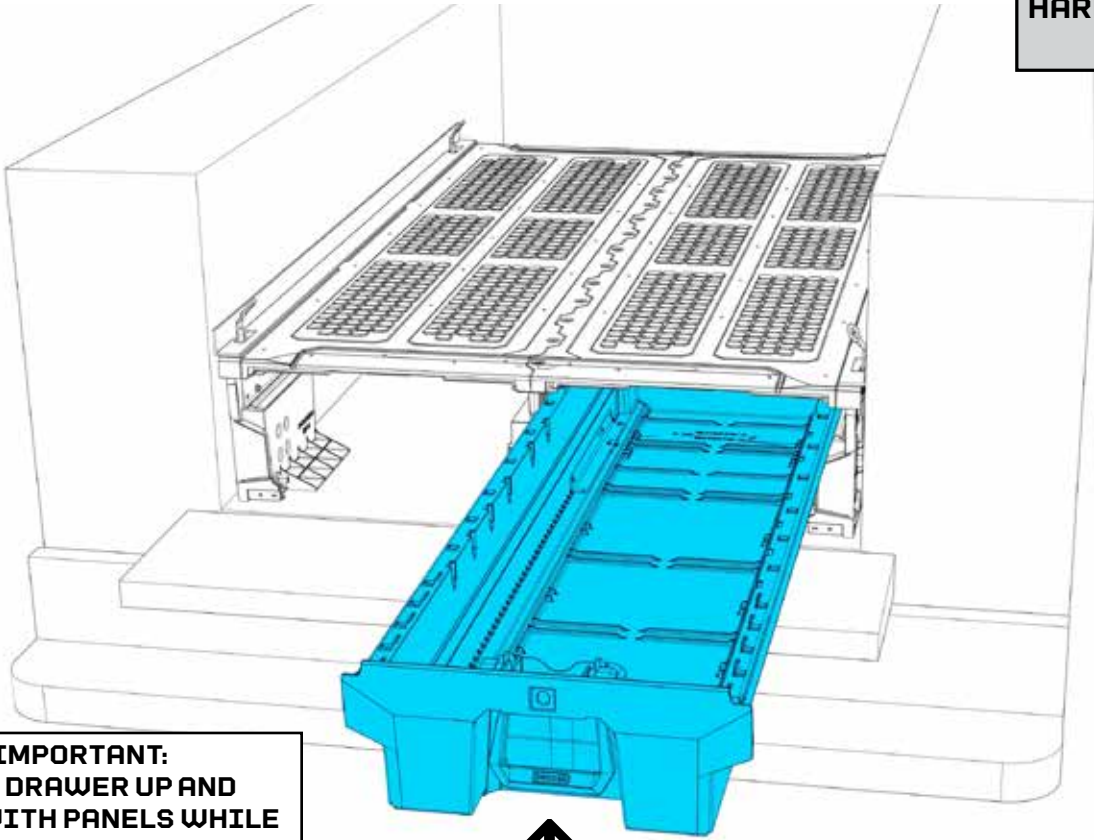
DRAWERS MADE TO ORDER

1. Install one drawer at a time.
2. Holding the drawer level with the panel, carefully support the drawer while rolling the wheels into the channels. Seat the drawer into place.

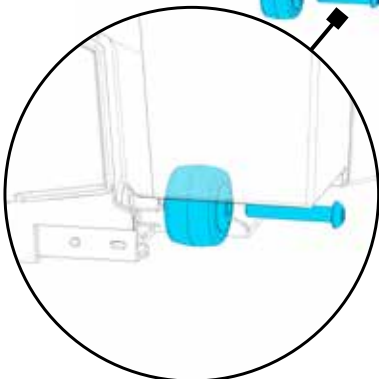
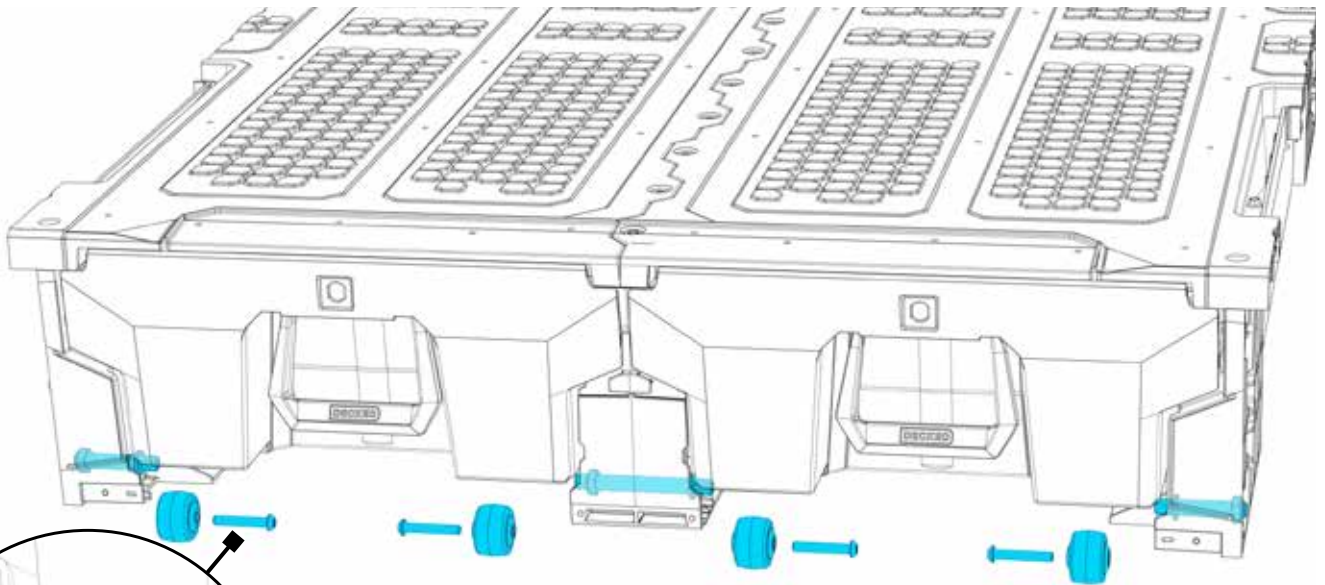
NOTE: Do not attempt to open/close the drawers until all tailgate wheels are installed.

3. Use a piece of 2x2 or a friend to prop the drawer up. Install the four LITTLE wheels under the drawers using the 7/32" hex key.
4. Repeat with the other drawer.
5. Perform two karate high kicks.

TECHNIQUE TRICK: Get the drawer pressed all the way up against the deck panel and make sure you have not placed the weatherstrips on the drawer lip yet. If you have man hands, press the wheel against the axle to start the threads using the driver.



IMPORTANT:
HOLD DRAWER UP AND
LEVEL WITH PANELS WHILE
INSTALLING TO AVOID
DRAWER DAMAGE.

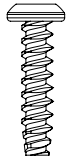


STEP 9:

PUT THE MUSTARD

ON THE DOG

1. Install the ruler with four 3/16" hex drive screws. Do not over torque, torque boy. Just get 'em snug.
2. Position the torsion brace such that the holes are facing you and the angle is under the center vert and corner feet. The hole-free side should be hidden underneath.
3. Slide the top of the codpiece under the lip on the center vert. Hold the codpiece in place and install two 1" long, 3/8" hex head screws through the codpiece and torsion brace and into the center vert. Do not tighten completely.
4. Install the torsion brace ends with the same hex head screws. Do not tighten completely.
5. Once you have the torsion brace where you like it, check to make sure the edge of the feet are plumb vertically, adjust as necessary. Once you are happy go back and tighten completely.
6. Install the drawer lock core plugs or locks if you ordered them.
7. Install weatherstrips onto drawer lip. Work from one end to the other, pressing firmly in place. Make sure the point of the weatherstrip is angled towards the cab.

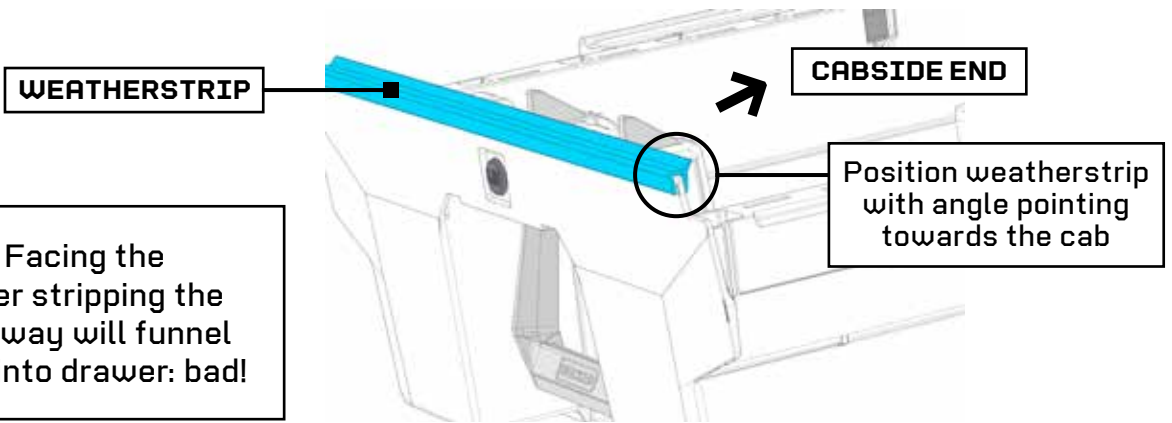
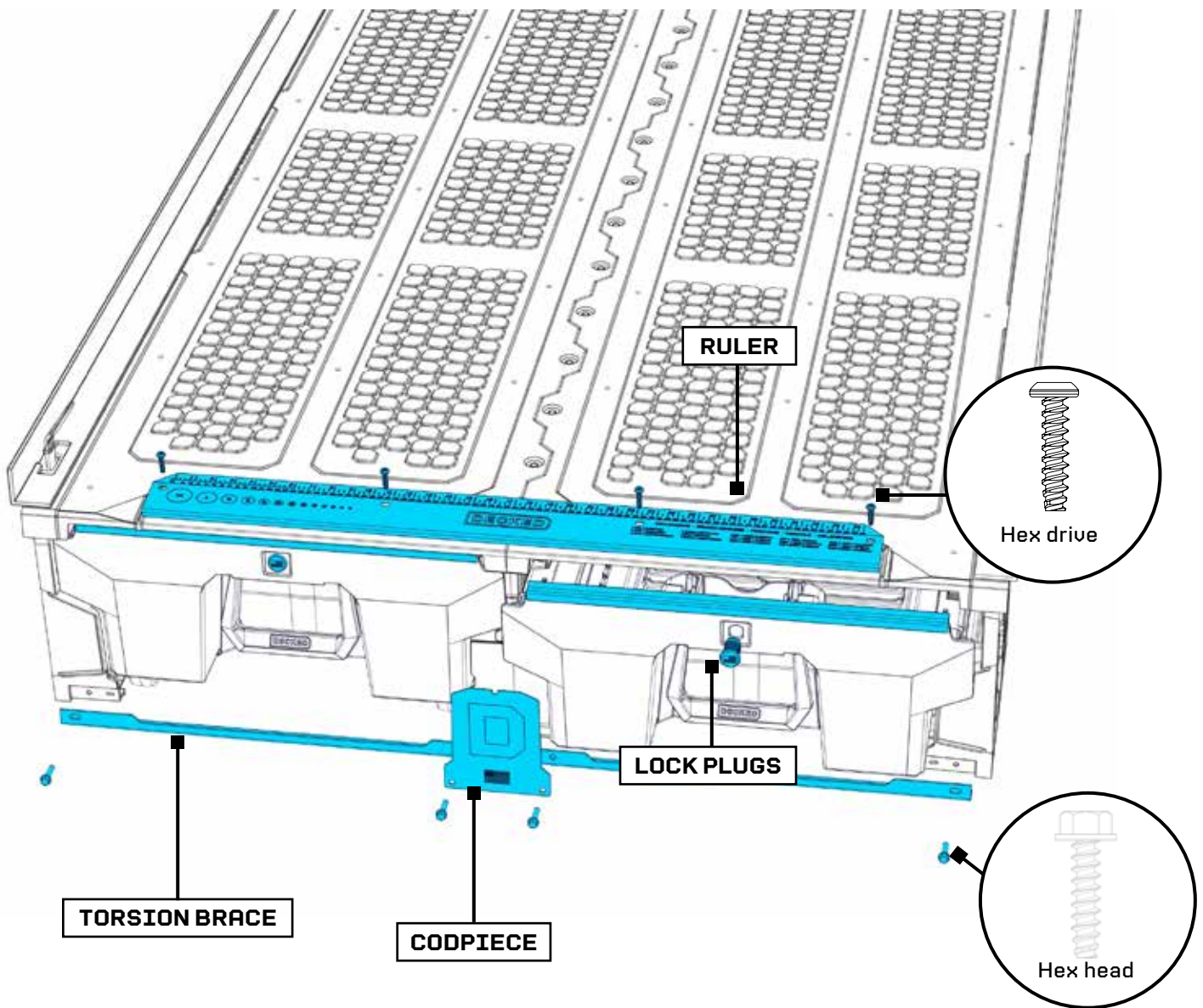


Hex drive



Hex head

HARDWARE BAG
FS SCREWS, PREP XSB HW

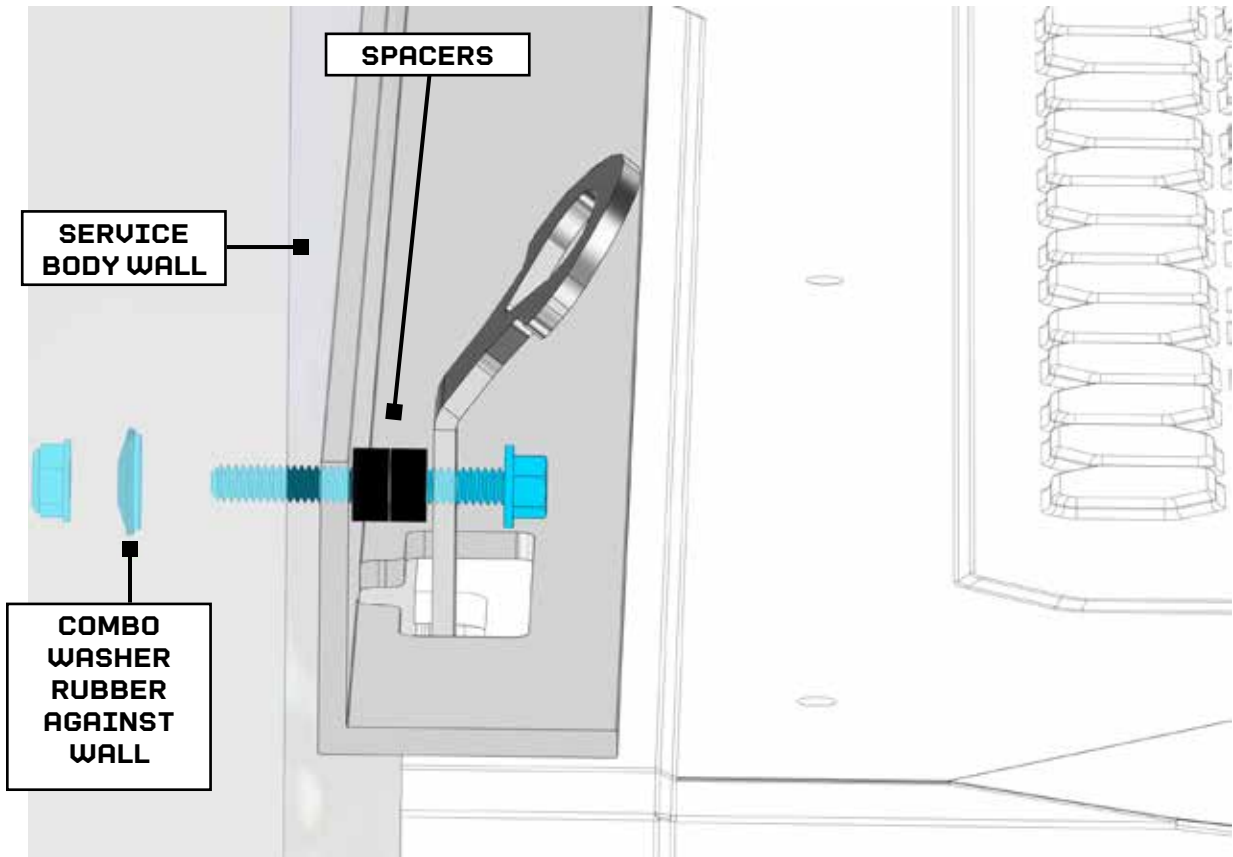
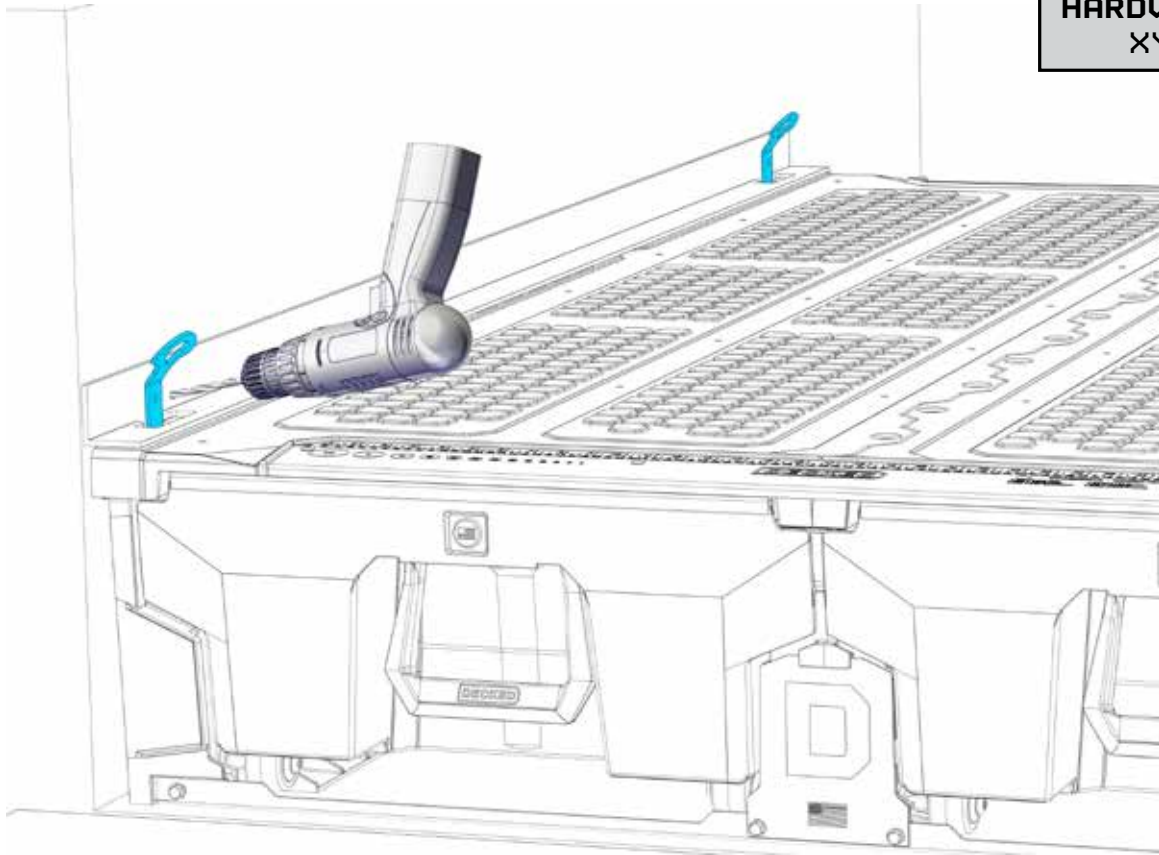


STEP 10:

IT'S INSTALL TIME

1. Push the sideguards flush against the service body wall, away from the brackets.
2. Using the round holes in the brackets as guides, drill a 5/16" hole through the aluminum sideguards and the service body wall. Make sure the holes are straight.
3. Seal the raw edges with the self-etching primer included in the hardware kit.
4. Fill the gap between the the sideguard and the tie down bracket with the spacers provided. Use the correct combination of spacers to ensure the sideguards remain flush against the service body wall. Hold the spacers with needle nose pliers and thread the bolt through the bracket, spacers and service body wall.
5. Thread the combo rubber/metal washer onto the tail of the bolt from the inside of the service body unit. Make sure the rubber side of the washer is against the service body wall for proper sealing.
6. Install nut onto bolt tail. Tighten until snug.
7. Repeat with the other three mounting points.
8. Stand back and say, "YUP" with your hands on your hips.

**HARDWARE BAG
XY WHEELS**



CONGRATS, GAME CHANGER! **YOU DID IT.**

Crack open a cold one of your liking, sit back
and admire your work. Now get busy organizin'!



DECKED PRODUCTS LIMITED LIFETIME WARRANTY

(Valid on DECKED Products purchased on or after 8/1/2021)

DECKED LLC, (the "Manufacturer") warrants the original purchaser only that DECKED Truck and Van Products (The "DECKED" Product) will be free from defects in material and workmanship from the date of purchase and continuing for the expected lifetime of the DECKED Product. The DECKED Product must be registered by the original purchaser with DECKED, LLC via its website at, decked.com/register, and a copy of the original sales receipt must be supplied to the Manufacturer at the time a warranty claim is made. This warranty terminates if the original purchaser transfers the DECKED Product to any other person or vehicle.

WHAT IS COVERED

All DECKED Products identified above on or after August 1, 2021. **DECKED's Limited Lifetime Warranty applies to US and Canadian customers only. International shipments are covered by DECKED's 3 Year Limited Warranty.**

WHAT WE WILL DO TO CORRECT PROBLEMS

Subject to the limitations and exclusions described in this limited warranty, the Manufacturer will remedy defects in workmanship or materials by providing one of the following remedies at its option and without charge to the original purchaser for parts: (a) repairing the defective portion of the DECKED Product or (b) replacing the entire DECKED Product. In addition, the Manufacturer may elect at its option not to repair or replace the DECKED Product, but rather issue to the original purchaser a refund equal to the purchase price paid for the DECKED Product or a credit to be used towards the purchase of a new DECKED Product.

WHAT IS NOT COVERED

This limited warranty expressly excludes:

- Damage or defects caused by normal wear and tear, cosmetic rust, scratches, accidents, unlawful vehicle operation, installation in a non-supported vehicle or installed in a vehicle which does not match the DECKED Product's SKU-intended fitment or use, or modification of the product, or any types of repair of a DECKED Product other than those authorized or provided by the Manufacturer.
- Damage or defects resulting from conditions beyond the Manufacturer's control and specifications including, but not limited to modification, misuse, overloading, or failure to assemble, install or use the DECKED Product in accordance with the Manufacturer's written instructions or guidelines included with the DECKED Product or separately made available to the original purchaser.
- Damage to the contents of the DECKED Product or vehicle.
- TO THE EXTENT PERMITTED BY LAW, IN NO EVENT SHALL THE MANUFACTURER BE LIABLE FOR ANY INCIDENTAL, SPECIAL, INDIRECT, OR CONSEQUENTIAL DAMAGES, INCLUDING ECONOMIC LOSS, WHETHER RESULTING FROM NONPERFORMANCE, USE, MISUSE, OR INABILITY TO USE THE DECKED PRODUCT OR THE MANUFACTURER'S NEGLIGENCE.

NO OTHER EXPRESS WARRANTY APPLIES

This Limited Lifetime Warranty is the sole and exclusive warranty for DECKED Products. No employee, agent, dealer, or other person is authorized to alter this warranty or make any other warranty on behalf of DECKED LLC.

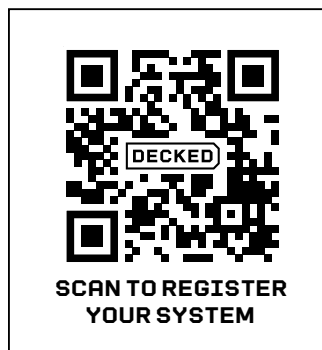
NOTIFICATION PROCEDURES

If the DECKED Product does not conform with the terms of this limited warranty, the original purchaser must promptly notify the Manufacturer in writing upon discovery of the nonconformity. In order to receive remedies under this limited warranty, a warranty claim must have been registered with DECKED LLC by the original purchaser, must describe the nature of the products nonconformity, include a copy of the original sales receipt, invoice, or other proof of purchase and be accompanied with photos or video. Repairs or modifications made to the DECKED Product by other than the Manufacturer or its authorized agent will nullify this limited warranty. Coverage under this limited warranty is conditioned at all times upon the owner's compliance with these required registration, notification, and repair procedures.

Product registration may be performed at:
decked.com/register

Warranty claims must include reciprocal contact information and may be made via certified mail or email to:

DECKED Warranty and Claims
PO Box 885
Ketchum, ID 83340
warranty@decked.com
208-806-0251



Register your system at
decked.com/warranty

PATENTS

MIDSIZE DRAWER SYSTEM:

US10988087B2, 112017005448.6, AU2017348386A1, 3042037

FULL SIZE DRAWER SYSTEM:

US9527454-B2, USD719905 S, US9168874 B2, CA2969118A1

TOOL BOX:

US20210062581A1

For more information on our patents visit: decked.com/patents

DECKED