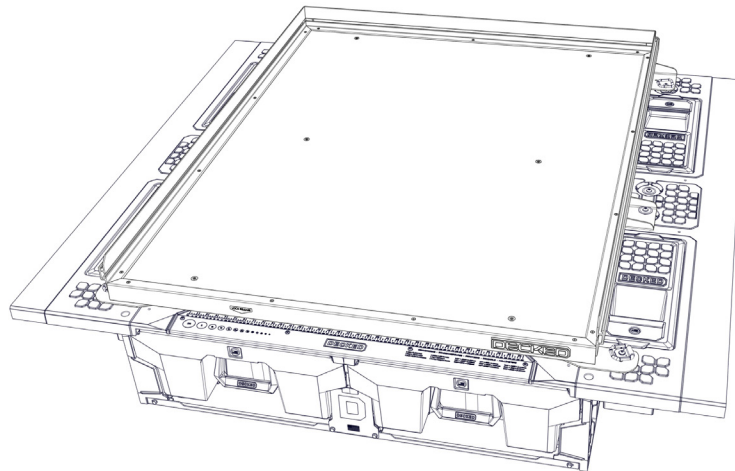




# INSTALLATION INSTRUCTIONS\*



## CARGO GLIDE TO DECKED DRAWER SYSTEM CG1000 ONLY \*\*FULL SIZE TRUCKS\*\*

\*Trust us on this one; don't go commando and attempt your install without reading.  
You'll just cuss a bunch and create even more chaos in your truck bed.

# TOOLS REQUIRED

---

- 3/16" hex wrench
- 1/2" socket
- Trusted friend with a weak mind and a strong back.

# INSTALL VIDEO

---

High tech link to video here or you can visit [decked.com/video](https://decked.com/video)



# CONTENTS

---

**INTEGRATION BRACKETS - 6**  
**ANCHOR HARDWARE - 12 SETS**

# HEY! TORQUE BOY

## READ BEFORE YOU INSTALL

---

Welcome to DECKED! In a world of crappy instructions, bad advice, and questionable sources of truth, we are here to make sure that your install goes as smoothly as possible, saving you headaches and heartburn. That said, your part is to read the darned instructions!

Does your DECKED drawer system have ammo cans?

This install is not for you - you'll need the other CargoGlide to Drawer System hardware kit. Please call us: 208-806-0251.

# STEP 1: PREP YOUR BED

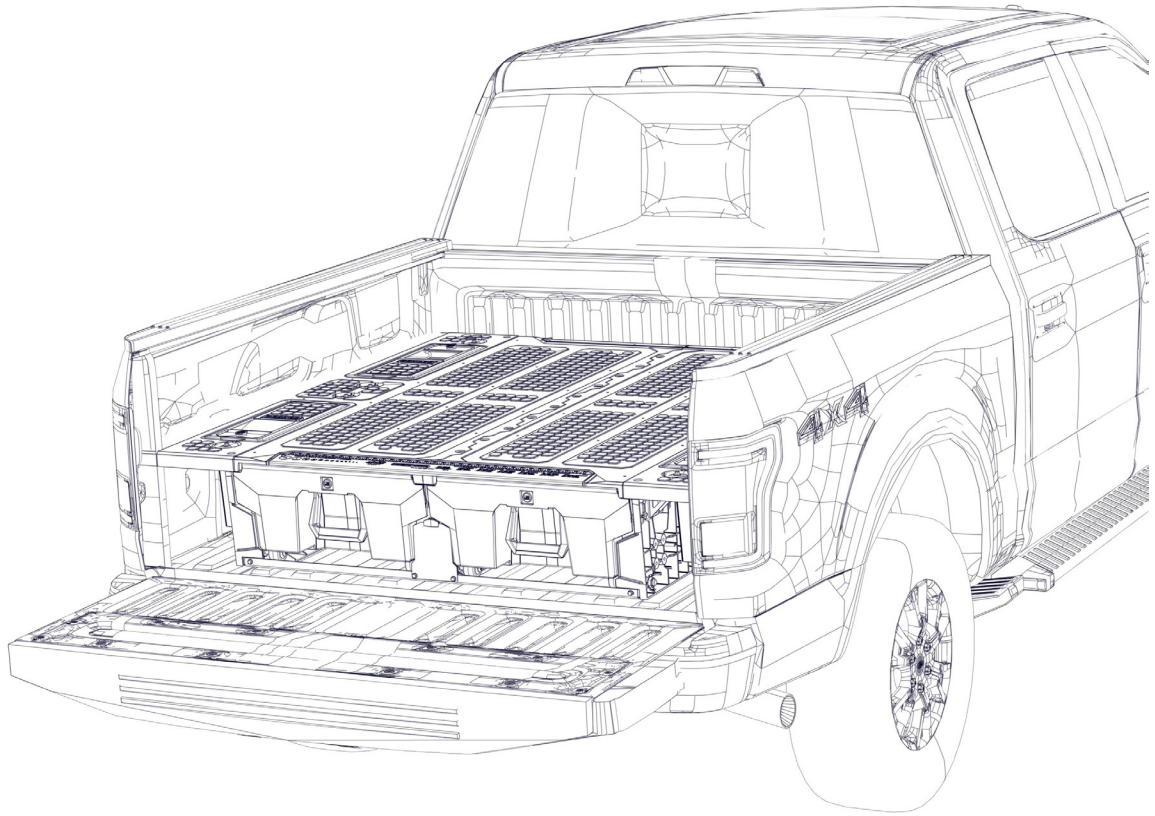
---

1. Install the DECKED drawer system as instructed.
2. Remove the tray from the CargoGlide. Now's the time to bribe your buddy for help.

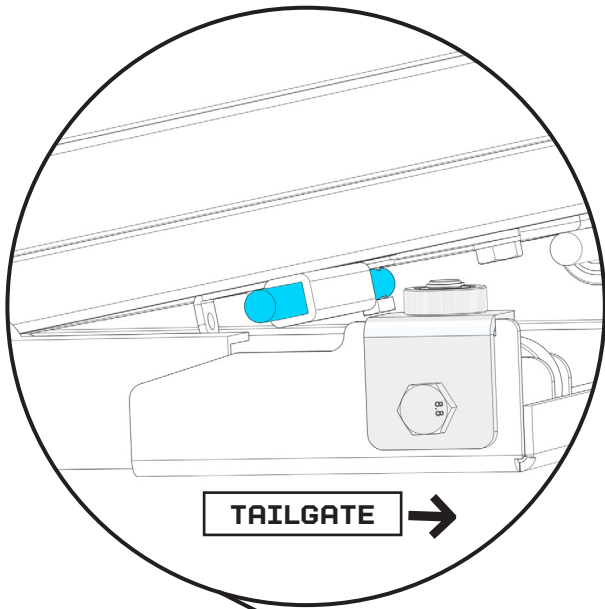
Hold the lock release handle in the unlocked position and pull the deck platform out as far as possible. Continue to hold the lock release and lift the deck platform up at a 45° angle and pull the deck out even further past the stopper blocks on the bottom frame until the deck stops again. Carefully lower the front of the CargoGlide deck platform (tailgate end) to lift the wheel bearings up and out of the slots placed on the top side of bottom frame C-channels.

Do not allow latch pin to hit side placement bearing assembly.

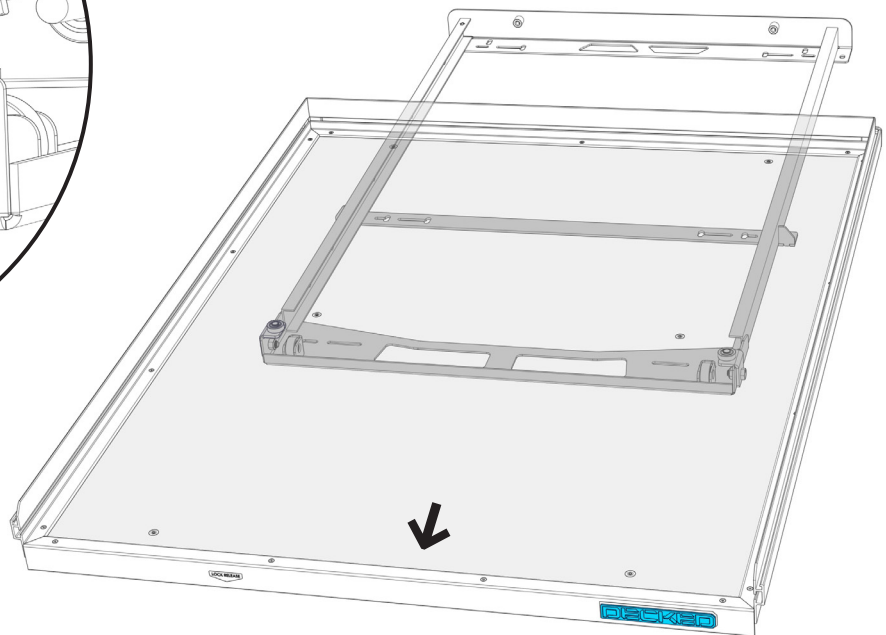
Set the tray aside in a safe place.



**INSTALL DECKED DRAWER SYSTEM**



**TAILGATE** →

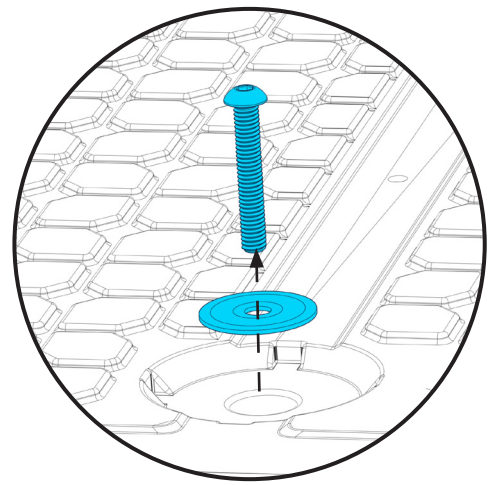
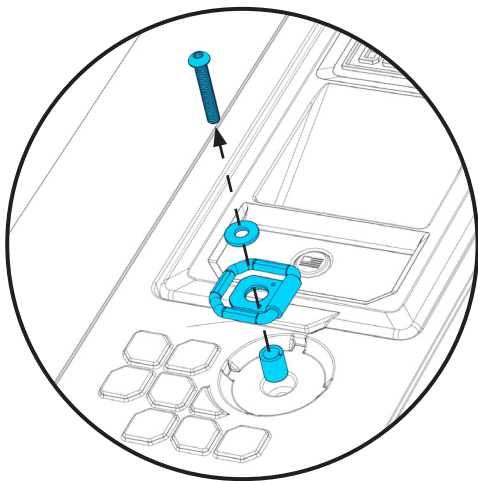


**SQUEEZE RELEASE, PULL TRAY OUT AND UP TO RELEASE PIN**

# STEP 2: PREP DECKED

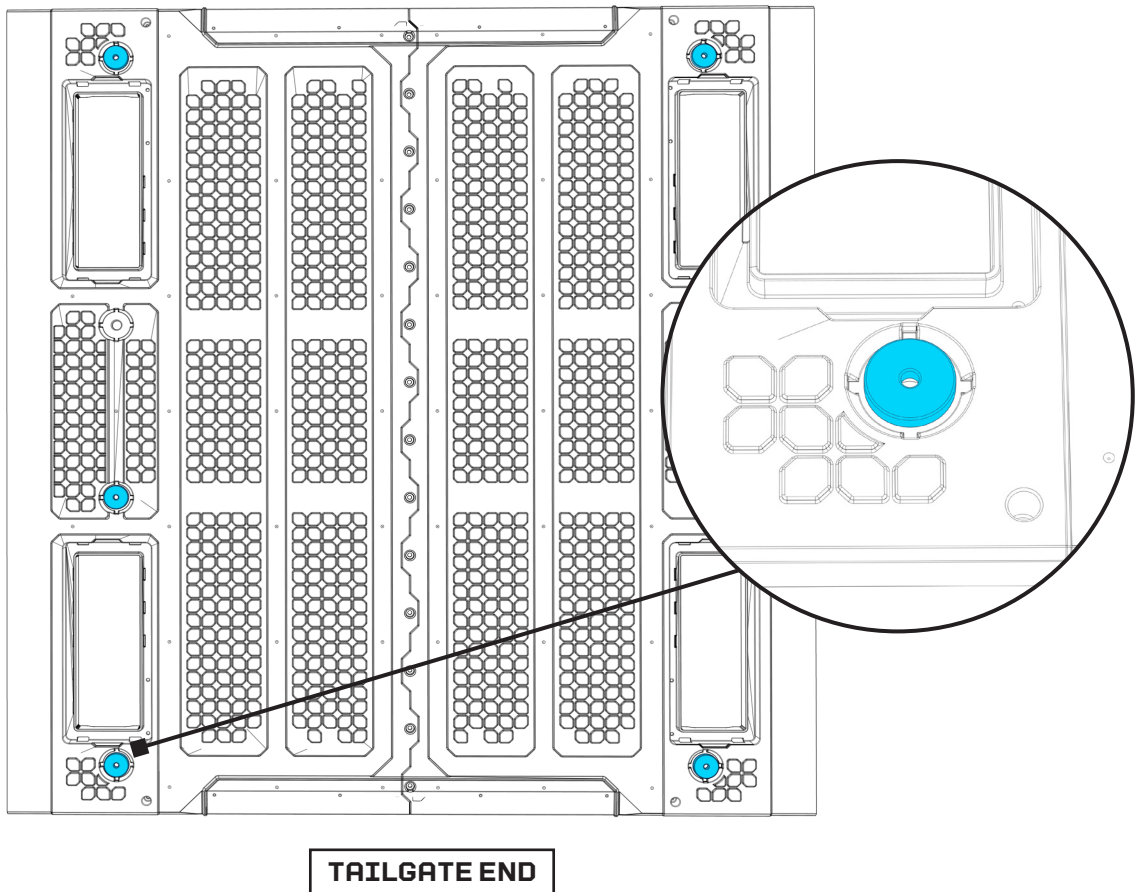
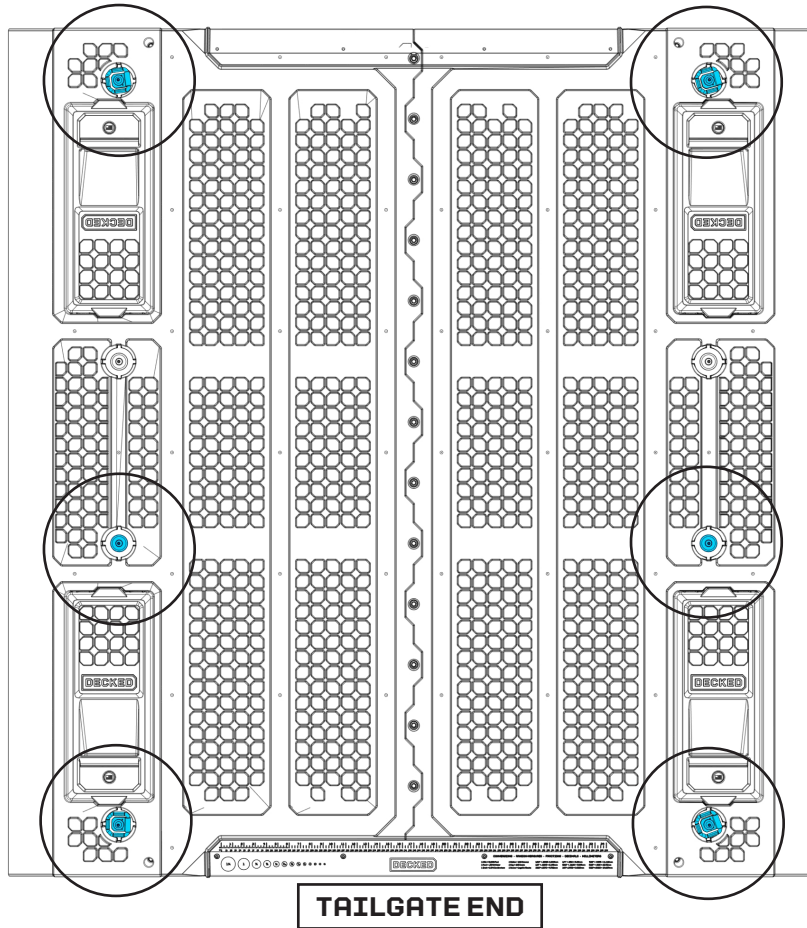
---

1. Remove the four corner D-Rings from the drawer system. (It was necessary to install these earlier for proper panel alignment - we didn't waste your time). Save the hardware.
2. Remove the TAILGATE side mid-panel bolts and washers only. Save the hardware.



3. Place a bracket spacer in the four corner depressions and the two tailgate side mid-panel depressions.

**REMOVE THESE**



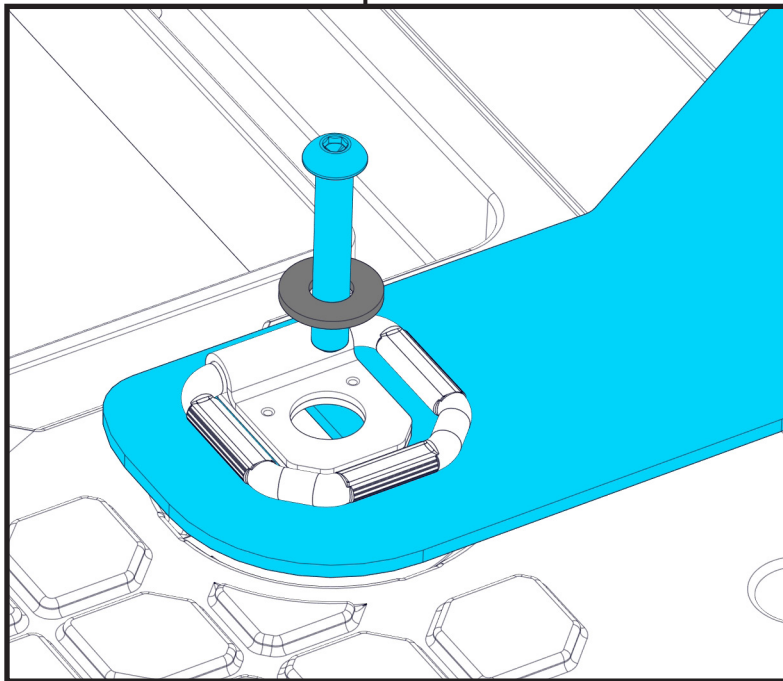
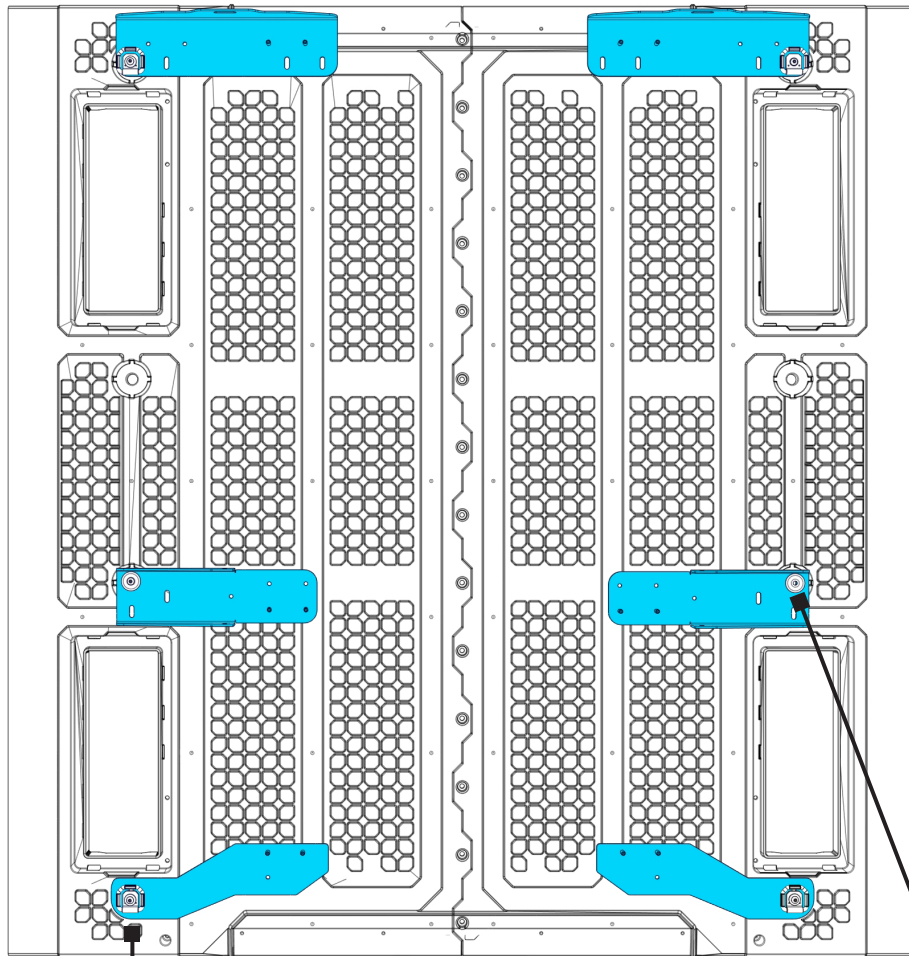
# STEP 3:

# BRACE YOURSELF

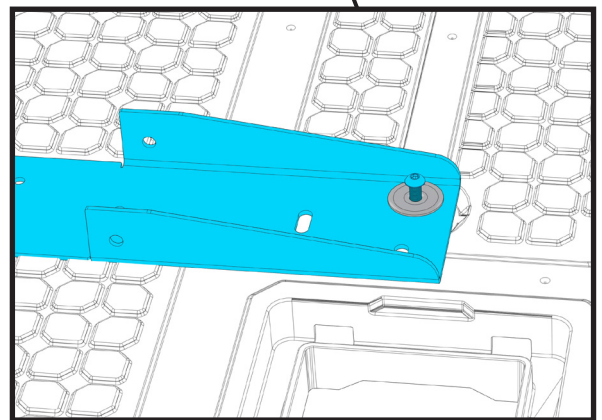
---

1. Place the DECKED no-drill brackets as shown. The mounting pins must be facing up.
2. You have the option of re-installing the D-Rings or just the washers and D-Ring bolts. Place a D-Ring directly on top of the no-drill bracket at the corner D-Ring locations, or if no D-Ring is desired, place a D-Ring washer or large washer here. Position the D-Ring where you want it; it won't spin after installation. Leave these loose for now.
3. Install the D-Ring bolts you removed earlier either through the washers and D-Rings or washers and through the no-drill brackets into the C-Channel tie down brackets. Leave these loose for now.





**D-RING INSTALL**

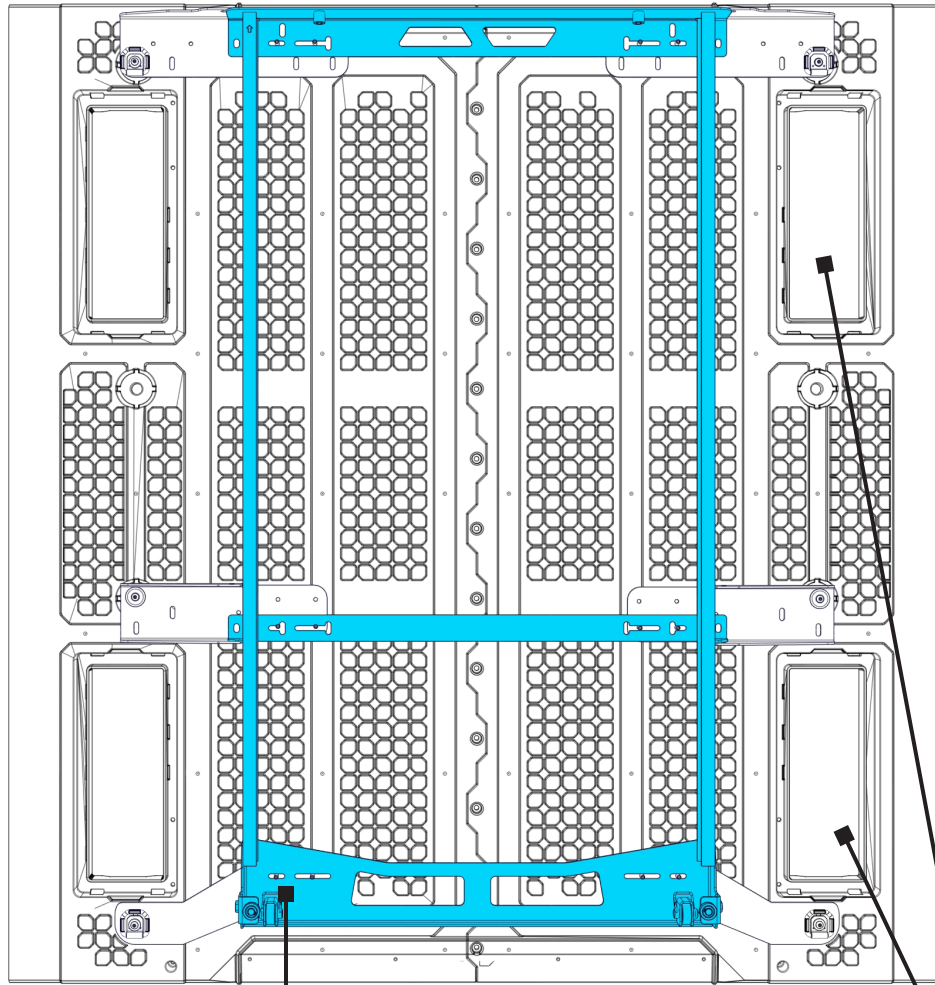


**BOLT/WASHER INSTALL**

# STEP 4: FRAME IT

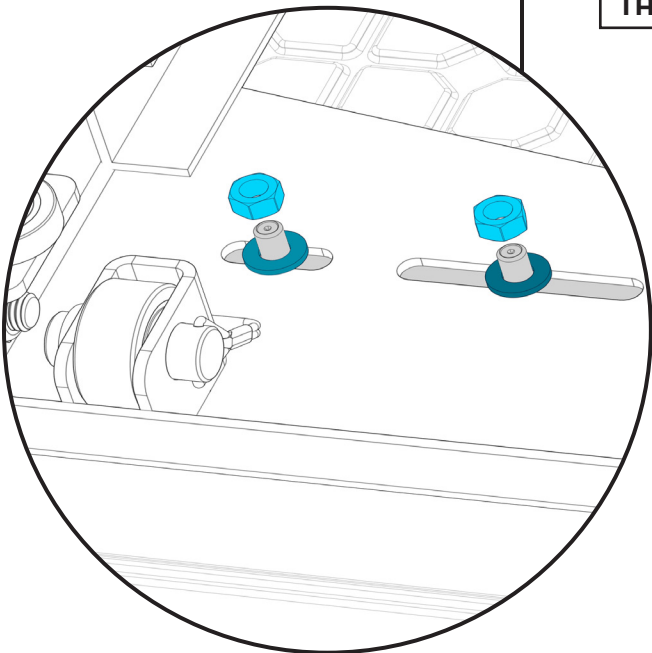
---

1. Find your buddy and carefully place the CargoGlide bottom frame on top of the the no-drill brackets, aligning the frame slots over the bracket pins. The wheels on the CargoGlide frame must be on the tailgate side.
2. Install 12 washers and nuts on the no-drill bracket pins. Leave loose for now.
3. Install any STASH BINS where you want them now. Depending on your truck, they may not be removable once the CargoGlide tray is installed.
4. Install STASH BIN LIDS.



**TAILGATE END**

**INSTALL STASH BINS NOW**

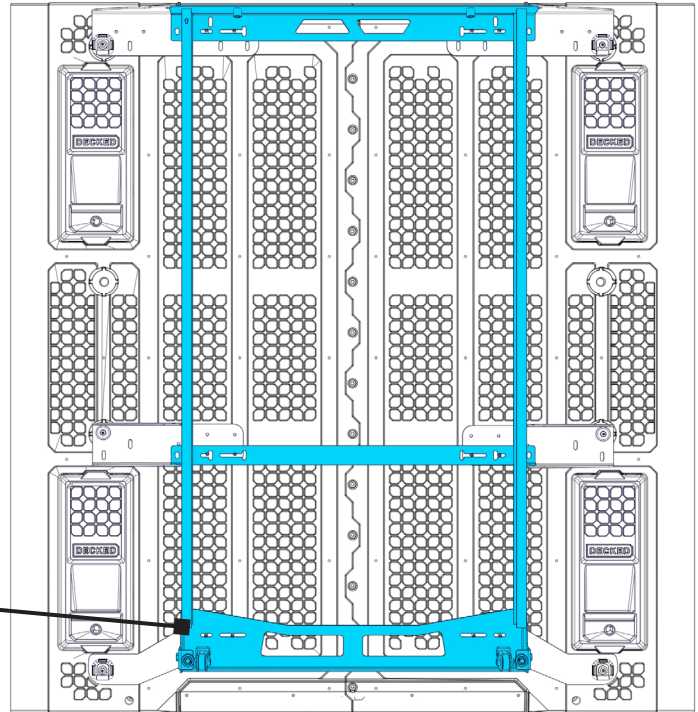
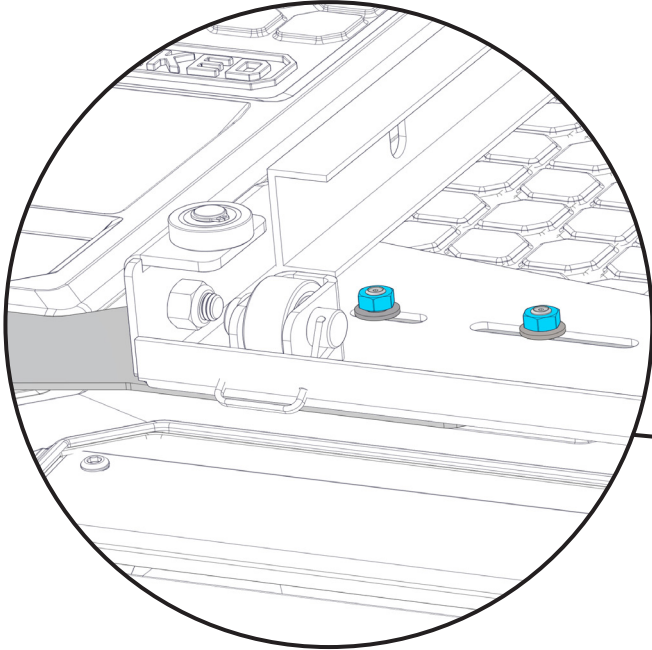


# STEP 5: WORK IT

---

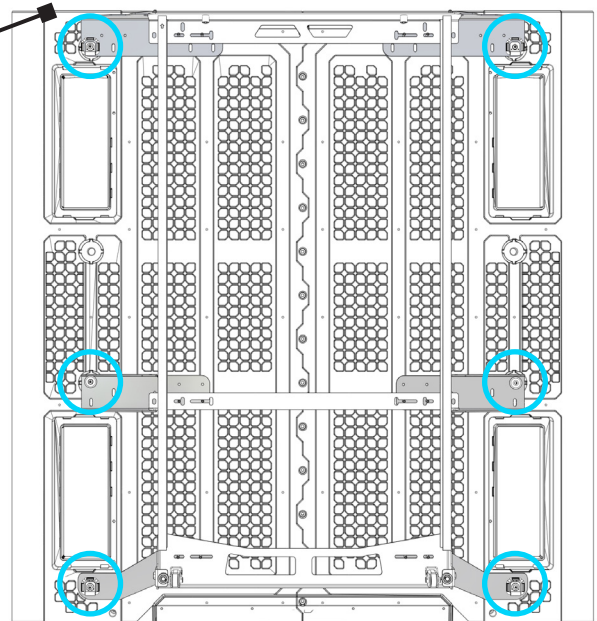
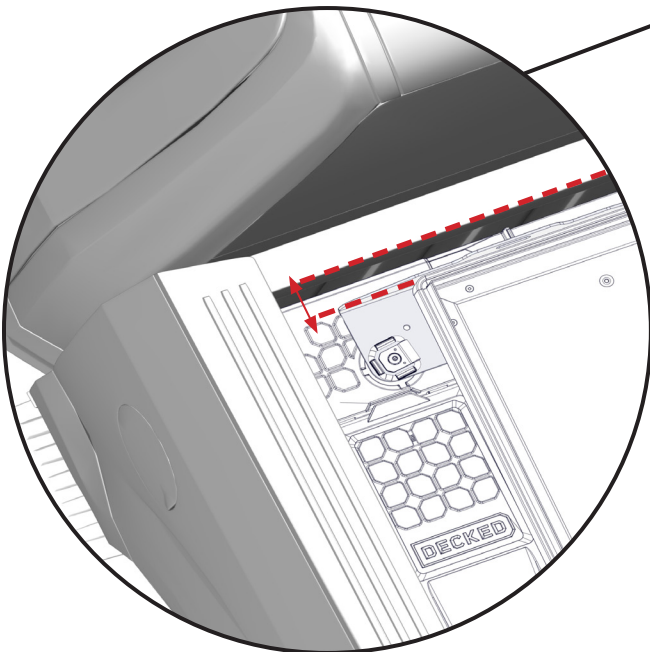
1. Center the CargoGlide frame LEFT TO RIGHT using the deck pattern as a guide.
2. Tighten the 12 nuts on the no-drill bracket pins.
3. Ask your buddy one last time for some help. Reverse the previous steps to reinstall the CargoGlide tray. Carefully latch it in the closed position.
4. Verify CargoGlide fitment: Pull the entire CargoGlide assembly at least 1/2" away from the cabside bulkhead. Close the tailgate fully. Does everything fit the way you want it? Adjust now if needed. Loosen the D-Ring bolts if needed to move the system front to back.
5. Tighten the six D-Ring bolts. Test function.
6. Flex for the neighbors.

**CENTER FRAME LEFT TO RIGHT**



**ADJUST FRONT TO BACK**

**AT LEAST 1/2" CLEARANCE AT CABSIDE**



**TIGHTEN AFTER FITMENT IS CONFIRMED**

---

# **CONGRATS, GAME CHANGER!** **YOU DID IT.**

Crack open a cold one of your liking, sit back  
and admire your work. Now get busy organizin'!



# DECKED PRODUCTS LIMITED LIFETIME WARRANTY

(Valid on DECKED Products purchased on or after 8/1/2021)

DECKED LLC, (the "Manufacturer") warrants the original purchaser only that DECKED Truck and Van Products (The "DECKED" Product) will be free from defects in material and workmanship from the date of purchase and continuing for the expected lifetime of the DECKED Product. The DECKED Product must be registered by the original purchaser with DECKED, LLC via its website at, [decked.com/register](https://decked.com/register), and a copy of the original sales receipt must be supplied to the Manufacturer at the time a warranty claim is made. This warranty terminates if the original purchaser transfers the DECKED Product to any other person or vehicle.

## WHAT IS COVERED

All DECKED Products identified above on or after August 1, 2021. **DECKED's Limited Lifetime Warranty applies to US and Canadian customers only. International shipments are covered by DECKED's 3 Year Limited Warranty.**

## WHAT WE WILL DO TO CORRECT PROBLEMS

Subject to the limitations and exclusions described in this limited warranty, the Manufacturer will remedy defects in workmanship or materials by providing one of the following remedies at its option and without charge to the original purchaser for parts: (a) repairing the defective portion of the DECKED Product or (b) replacing the entire DECKED Product. In addition, the Manufacturer may elect at its option not to repair or replace the DECKED Product, but rather issue to the original purchaser a refund equal to the purchase price paid for the DECKED Product or a credit to be used towards the purchase of a new DECKED Product.

## WHAT IS NOT COVERED

This limited warranty expressly excludes:

- Damage or defects caused by normal wear and tear, cosmetic rust, scratches, accidents, unlawful vehicle operation, installation in a non-supported vehicle or installed in a vehicle which does not match the DECKED Product's SKU-intended fitment or use, or modification of the product, or any types of repair of a DECKED Product other than those authorized or provided by the Manufacturer.
- Damage or defects resulting from conditions beyond the Manufacturer's control and specifications including, but not limited to modification, misuse, overloading, or failure to assemble, install or use the DECKED Product in accordance with the Manufacturer's written instructions or guidelines included with the DECKED Product or separately made available to the original purchaser.
- Damage to the contents of the DECKED Product or vehicle.
- TO THE EXTENT PERMITTED BY LAW, IN NO EVENT SHALL THE MANUFACTURER BE LIABLE FOR ANY INCIDENTAL, SPECIAL, INDIRECT, OR CONSEQUENTIAL DAMAGES, INCLUDING ECONOMIC LOSS, WHETHER RESULTING FROM NONPERFORMANCE, USE, MISUSE, OR INABILITY TO USE THE DECKED PRODUCT OR THE MANUFACTURER'S NEGLIGENCE.

## NO OTHER EXPRESS WARRANTY APPLIES

This Limited Lifetime Warranty is the sole and exclusive warranty for DECKED Products. No employee, agent, dealer, or other person is authorized to alter this warranty or make any other warranty on behalf of DECKED LLC.

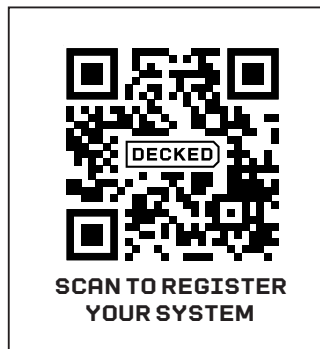
## NOTIFICATION PROCEDURES

If the DECKED Product does not conform with the terms of this limited warranty, the original purchaser must promptly notify the Manufacturer in writing upon discovery of the nonconformity. In order to receive remedies under this limited warranty, a warranty claim must have been registered with DECKED LLC by the original purchaser, must describe the nature of the products nonconformity, include a copy of the original sales receipt, invoice, or other proof of purchase and be accompanied with photos or video. Repairs or modifications made to the DECKED Product by other than the Manufacturer or its authorized agent will nullify this limited warranty. Coverage under this limited warranty is conditioned at all times upon the owner's compliance with these required registration, notification, and repair procedures.

Product registration may be performed at:  
**[decked.com/register](https://decked.com/register)**

Warranty claims must include reciprocal contact information and may be made via certified mail or email to:

DECKED Warranty and Claims  
PO Box 885  
Ketchum, ID 83340  
[warranty@decked.com](mailto:warranty@decked.com)  
208-806-0251



Register your system at  
[decked.com/warranty](https://decked.com/warranty)

## PATENTS

### MIDSIZE DRAWER SYSTEM:

US10988087B2, 112017005448.6, AU2017348386A1, 3042037

### FULL SIZE DRAWER SYSTEM:

US9527454-B2, USD719905 S, US9168874 B2, CA2969118A1

### TOOL BOX:

US20210062581A1

For more information on our patents visit: [decked.com/patents](https://decked.com/patents)

**DECKED**