



HOW TO: TOOL BOX CORE TRAX INSTALL

**WARNING: TOOL BOX MUST BE SECURELY FASTENED TO THE BEDRAILS AT ALL TIMES.
CHECK THE MOUNTING HARDWARE OFTEN TO CONFIRM IT'S TIGHT.**

TOOLS NEEDED:

- DRILL
- 5/32" DRILL BIT
- 1/2" DRILL STOP OR TAPE
- #3 PHILLIPS SCREWDRIVER

(CAUTION: YOU'LL MOST LIKELY STRIP OUT THE SCREWS IF YOU USE A #2 SCREWDRIVER. BAD.)

STEP 1:

Find a friend or bribe your kid to help you align the two Core Trax along the aluminum spanner just below the Tool Box lid.

NOTE: The mounting holes which are further inbound from the edge of the Core Trax (holes are 1" from the edge) should be located in the middle of the spanner and butt up next to each other. Center the coupled Core Trax in the middle of the aluminum spanner from left to right and top to bottom.

STEP 2:

Using the edge of one track, mark the centerline with a Sharpie or marking pen.

STEP 3:

Using the centerline made in Step 2, hold one Core Trax in place. Use a 5/32" drill bit and a drill stop or piece of tape placed at 1/2" to drill a pilot in the mounting location closest to the center mark into the aluminum spanner.

STEP 4:

Install one screw and tighten until snug.

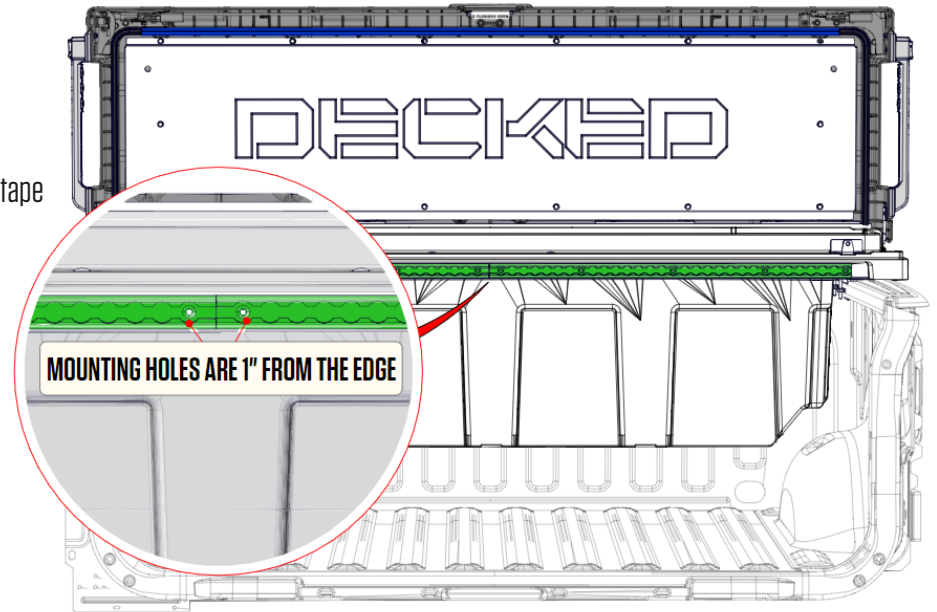
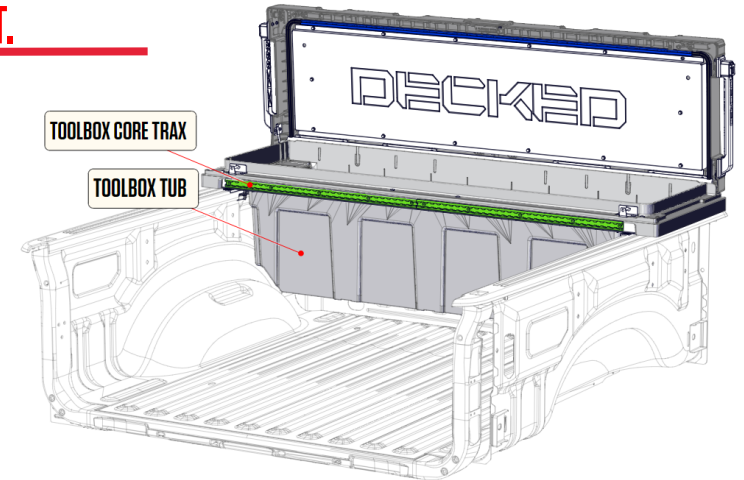
Verify that the track is level and repeat with the remaining mounting holes using the Core Trax as a template.

STEP 5:

Place and install the other Core Trax, making sure the tracks meet at the center.

Use the included load locks to secure any loads (instructions are in the load lock package).

Additional load locks are available for purchase at www.DECKED.com.



THESE MIGHT BE USEFUL: Watch installation videos at www.DECKED.com/video

RC836 | V1 | ATB4