



# Cellular & NB-IoT Remote I/O UC3x Series

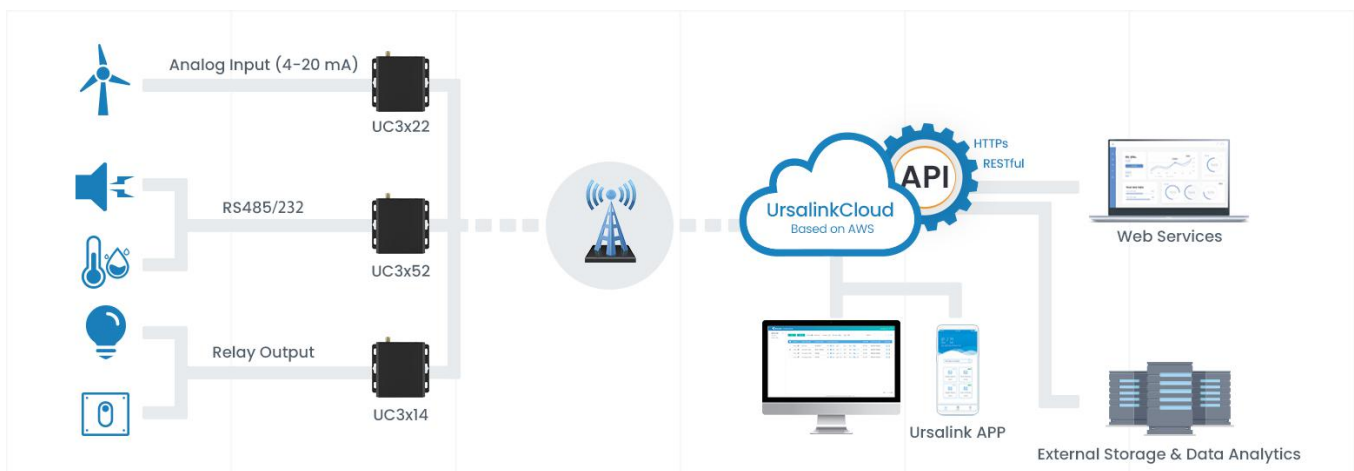
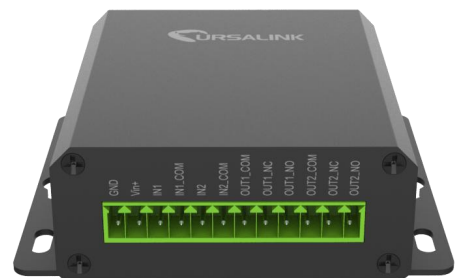
Easy to Operate,  
Monitor and Control Your System

## Industrial Cellular Remote I/O

### ► Features

- Quick configuration by USB and Ursalink Cloud
- Reporting updated status to Cloud if any inputs are detected
- Hundreds of combinations of trigger conditions and actions
- Built-in opto-isolated digital inputs and relay outputs
- Rich interfaces, supporting AI and serial ports
- Global GSM/WCDMA/4G LTE/NB-IoT network
- Embedded timer and hardware watchdog
- Rugged enclosure, optimized for shelf mounting

### ► Application Example



## ► Interface Type

Model	Interface
UC3x14	2 × DI, 2 × Relay Output
UC3x22	2 × AI, 1 × DI, 1 × Relay Output
UC3x52	1 × RS232, 1 × RS485, 1 × DI, 1 × Relay Output

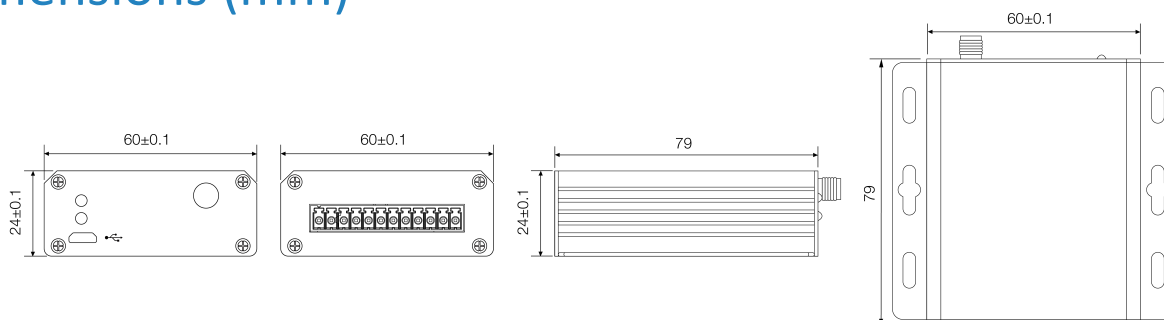
## ► Specifications

Cellular Interface	
Connector	1 × 50 Ω SMA (Center PIN: SMA Female)
SIM	Micro SIM (Inside the device)
Configuration Interface	
Port	1 × Micro USB
Baud Rate	115200bps
IO	
Connector	Terminal block
Digital Inputs	Opto-isolated Digital Inputs, 3-24VDC Volage
Digital Outputs	SPDT Relay Contact Rating: 3 amp DC (Max: 30 V) or 3 amp AC (Max: 250 V)
Analog Input	
Connector	Terminal block
Input	Standard 4-20mA
Serial Interface	
Ports	RS232 & RS485
Connector	Terminal block
Baud Rate	4800bps to 115200bps
Protocol	Transparent (RS232), Modbus RTU (RS485)
Power Supply	
Connector	Terminal block
Input Voltage	5-24 VDC (Standard adapter: DC 12 V/0.5 A)
Physical Characteristics	
Ingress Protection	IP30
Dimensions	79 × 60 × 24 mm (3.11 × 2.36 × 0.94 in)
Mounting	Desktop, Wall Mounting
Others	
LED Indicators	1 × System, 1 × ACT
Built-in	Watchdog, Timer
Operating Temperature	-40°C to +70°C (-40°F to +158°F) Reduced Cellular Performance Above 60°C

Relative Humidity

0% to 95% (non-condensing) at 25°C/77°F

## ► Dimensions (mm)



## ► Ordering Information

Model	Network	Frequency Bands
UC3214 UC3222 UC3252	GPRS/GSM	850/900/1800/1900@GSM
UC3314 UC3322 UC3352	HSDPA/WCDMA/GPRS/GSM/ED GE	-E: 900/2100@UMTS, 900/1800@GSM -A: 850/1900@UMTS, 850/900/1800/1900@GSM -T: 850/2100@UMTS, 850/900/1800/1900@GSM
UC3414 UC3422 UC3452	FDD-LTE/TDD-LTE/DC-HSPA+/HS PA+/HSDPA/HSUPA/WCDMA/E DGE/GPRS/GSM	-E: B1/B3/B5/B7/B8/B20@LTE FDD, B1/B5/B8@WCDMA, 900/1800@GSM -A: B2/B4/B12@LTE FDD, B2/B4/B5@WCDMA -V: B4/B13@LTE FDD -AU: B1/B2/B3/B4/B5/B7/B8/B28@LTE FDD, B40@LTE TDD, B1/B2/B5/B8@WCDMA, 850/900/1800/1900@GSM -J: B1/B3/B8/B18/B19/B26@LTE FDD -CE: B1/B3/B8@FDD LTE, B38/B39/B40/B41@TDD LTE, B1/B8@WCDMA, B34/B39@TD-SCDMA, BC0@CDMA2000 1×/EVDO, 900/1800@GSM
UC3514 UC3522 UC3552	NB-IoT	B1/B2/B3/B4/B5/B8/B12/B13/B17/B18/B19/B20/B2 5/B26/B28/B66@NB

Xiamen Ursalink Technology Co., Ltd.

4/F, No. 63-2 Wanghai Road, 2nd Software Park, Xiamen 361008, China

Phone: +86-592-5023060

Fax: +86-592-5023065

Website: www.ursalink.com

Email: info@ursalink.com

