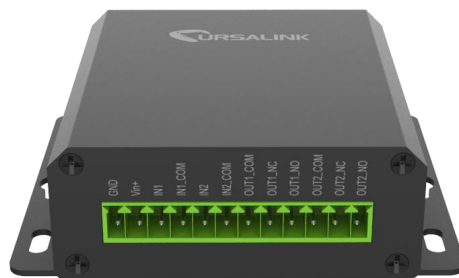




UC1X14 Series
SMS Remote I/O
Quick Start Guide



Welcome

Thank you for choosing Ursalink UC1x14 series SMS remote I/O.

This guide describes how to install the UC1x14 series SMS remote I/O.

Once you complete the installation, refer to the Ursalink UC1x14 User Manual for instructions on how to perform configurations on the device.

Related Documents

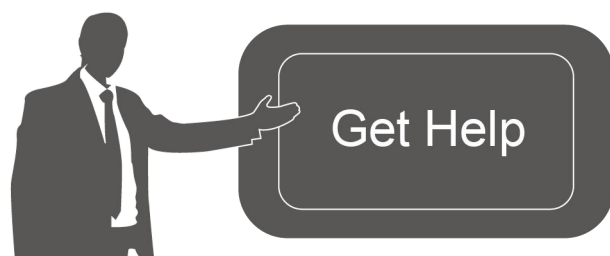
This Start Guide only explains the installation of Ursalink UC1x14 series SMS remote I/O. For more functionality and advanced settings, please refer to the relevant documents as below.

Document	Description
Ursalink UC1x14 Datasheet	Datasheet for the Ursalink UC1x14 series SMS remote I/O.
Ursalink UC1x14 User Guide	Users could refer to the guide for instruction on how to configure all the settings.

The related documents are available on Ursalink website: <http://www.ursalink.com>.

Declaration of Conformity

Ursalink UC1x14 series SMS remote I/O is in conformity with the essential requirements and other relevant provisions of the CE, FCC, and RoHS.

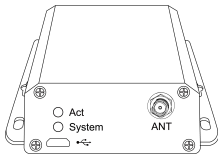


For assistance, please contact
Ursalink technical support:
Email: support@ursalink.com
Tel: 86-592-5023060
Fax: 86-592-5023065

1. Packing List

Before you begin to install the UC1x14 series SMS remote I/O, please check the package contents to verify that you have received the items below.

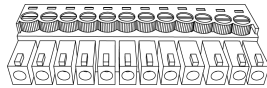
1.1 Package Contents



1 × UC1x14 Series
Device



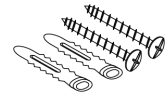
1 × Stubby
Cellular Antenna



1 × 12-Pin Pluggable
Terminal

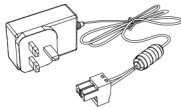


1 × Warranty Card



Setscrews

Optional Accessories



1 × Power Adapter
(Optional)



1 × Magnetic Mount
Cellular Antennas
(Optional)

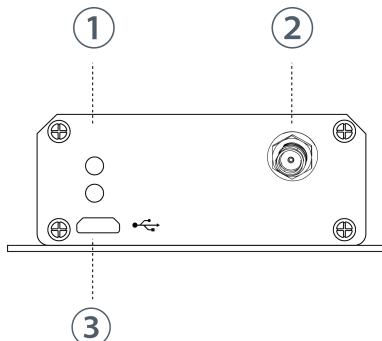


If any of the above items is missing or damaged, please contact your Ursalink sales Representative.

2. Hardware Introduction

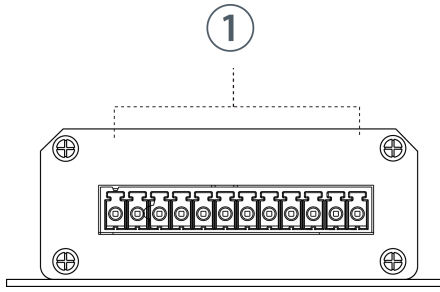
2.1 Overview

A. Front Panel



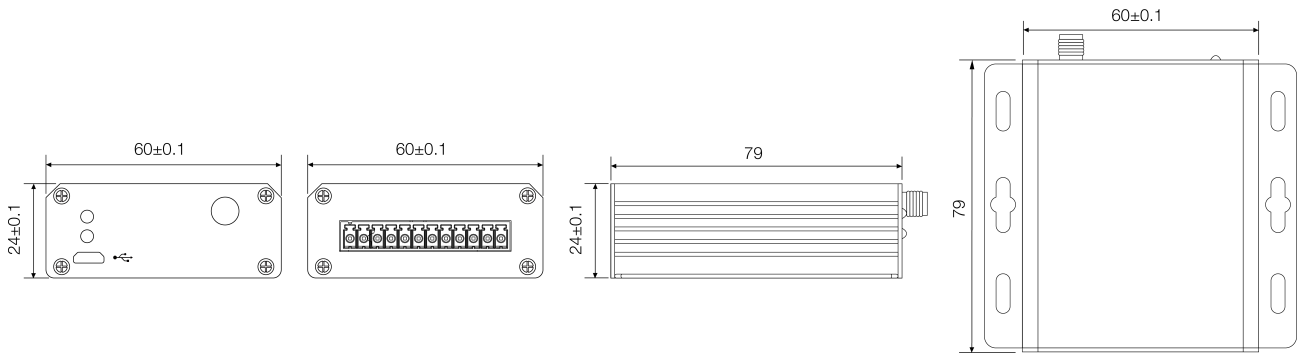
- ① LED Indicator Area
System: System Indicator
ACT: Network Indicator
- ② Cellular Antenna Connector
- ③ Micro USB Interface

B. Rear Panel

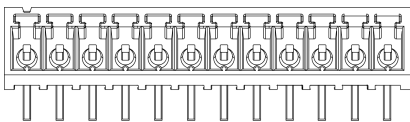


① 12-Pin Pluggable Terminal

2.2 Dimensions (mm)



2.3 Pinouts



PIN	Power	Digital Input	Relay Output	Description
1	GND	---	---	DC power supply (-)
2	VIN	---	---	DC power supply (+)
3	---	IN1	---	Input1
4	---	IN1_COM	---	Common Ground
5	---	IN2	---	Input2
6	---	IN2_COM	---	Common Ground2
7	---	---	OUT1_COM	Common Ground
8	---	---	OUT1_NC	Normally Closed1
9	---	---	OUT1_NO	Normally Open1
10	---	---	OUT2_COM	Common Ground
11	---	---	OUT2_NC	Normally Closed2
12	---	---	OUT2_NO	Normally Open2

2.4 LED Indicators

LED	Indication	Status	Description
System	System Status	Solid On	Equipment starts
		On for 500ms, off for 500ms	All OK
		On for 100ms, off for 100ms	Device can not send SMS
ACT	Network Status	Off	Network registration fails
		On for 75ms, off for 3000ms	Successfully registered on network
			Sending/Receiving SMS

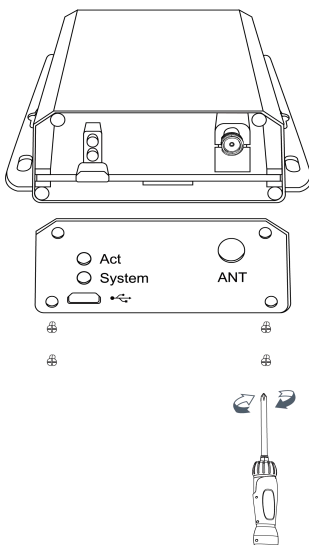
3. Hardware Installation

Environmental Requirements

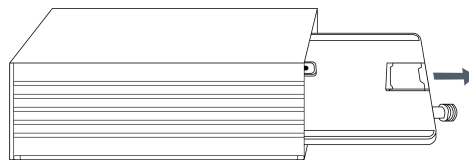
- Power Input: 5-24 VDC
- Operating Temperature: -40°C to 70°C (-40°F -158°F)
- Relative Humidity: 0% to 95% (non-condensing) at 25°C/77°F

3.1 SIM Card Installation

A. Unscrew the four screws in front panel of the device



B. Takeout mother board from the case.

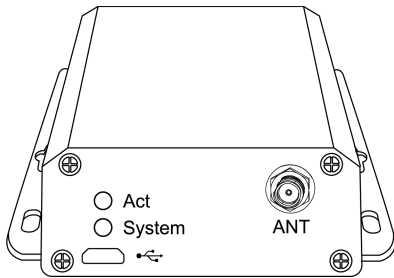


C. Push-down the SIM card cover and lift the cover

D. Install SIM card and close the sim card cover



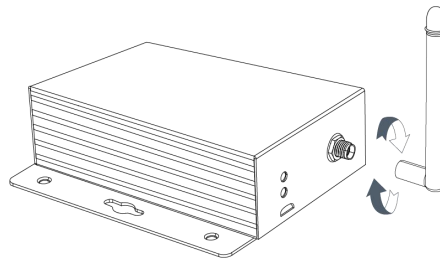
E. Re-install the mother board into the case



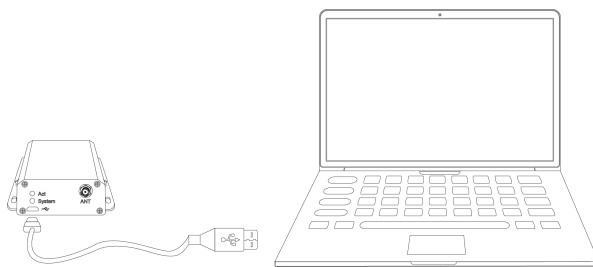
3.2 Antenna Installation

Rotate the antenna into the antenna connector accordingly.

The external cellular antenna should be installed vertically always on a site with a good cellular signal.

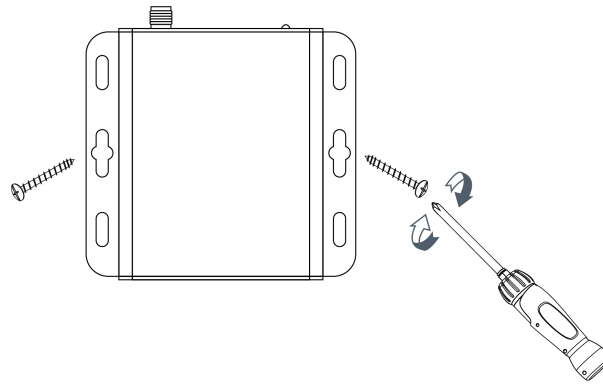


3.3 Connect the UC1x14 to a Computer



3.4 Mount the UC1x14

Use 2 pcs of flat head Phillips screws to fix the UC1x14 onto the wall mounting.

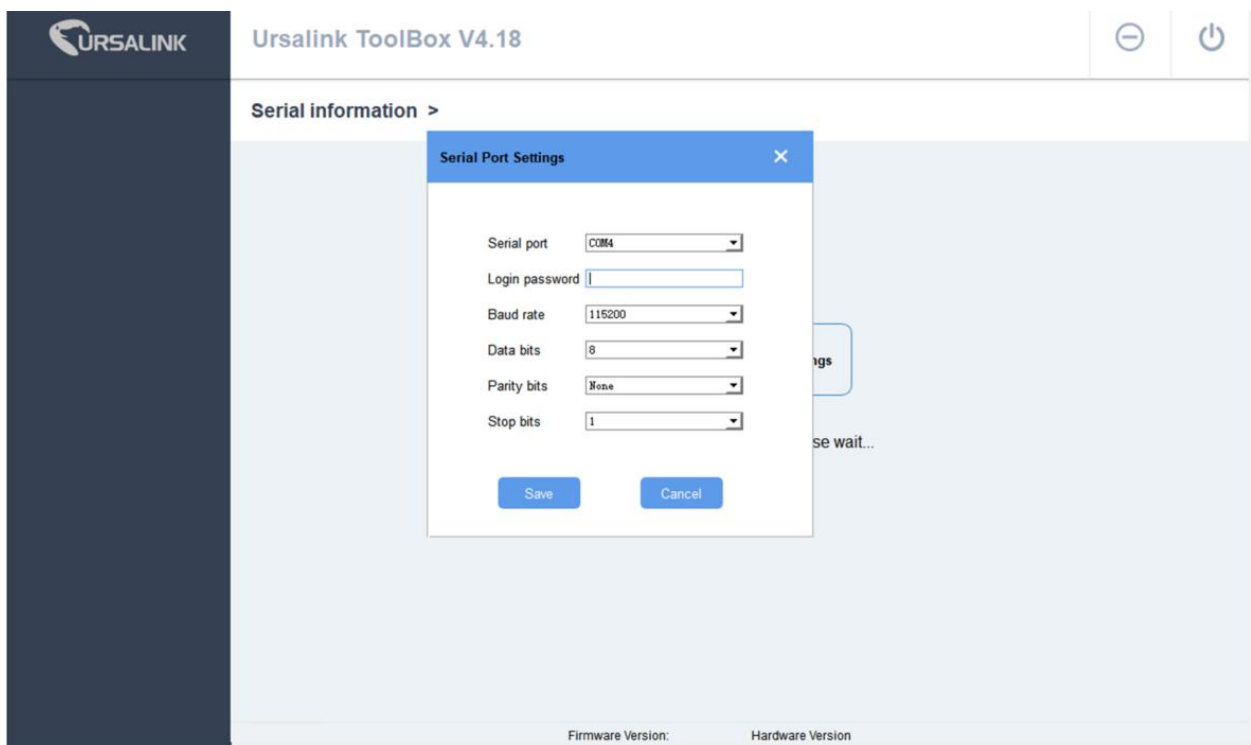


4. Configure UC1x14

4.1 Configure UC1x14 via Toolbox

Please connect PC USB port to micro USB port of UC1x14 series SMS remote I/O directly, PC Setup the Toolbox.

- ① Select Serial port and fill in the login password, default “123456”, then click “Save”



- ② Click "Status" to check status of the Remote I/O

The screenshot shows the 'Status' page of the Ursalink Toolbox V4.18. The left sidebar contains navigation icons for Status, General, Command, Application, and Upgrade. The main content area displays the following information:

Model:	UC1314
Serial Number:	611790930836
Partnumber:	EU-C000
Firmware Version:	01.04
Hardware Version:	V2.0
Local Time:	2019-05-14 15:58:07 Tuesday
Network Status:	Registered
Signal Strength:	22asu(-69dbm)
Input:	Low /Low
Output:	Low /Low

At the bottom of the page, it shows 'Firmware Version: 01.04' and 'Hardware Version V2.0'.

- ③ Click "General", network type use Auto and configure the SMS center number of the SIM card

The screenshot shows the 'General' page of the Ursalink Toolbox V4.18. The left sidebar contains navigation icons for Status, General, Command, Application, and Upgrade. The main content area displays the following settings:

Basic Settings

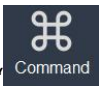
Change Password

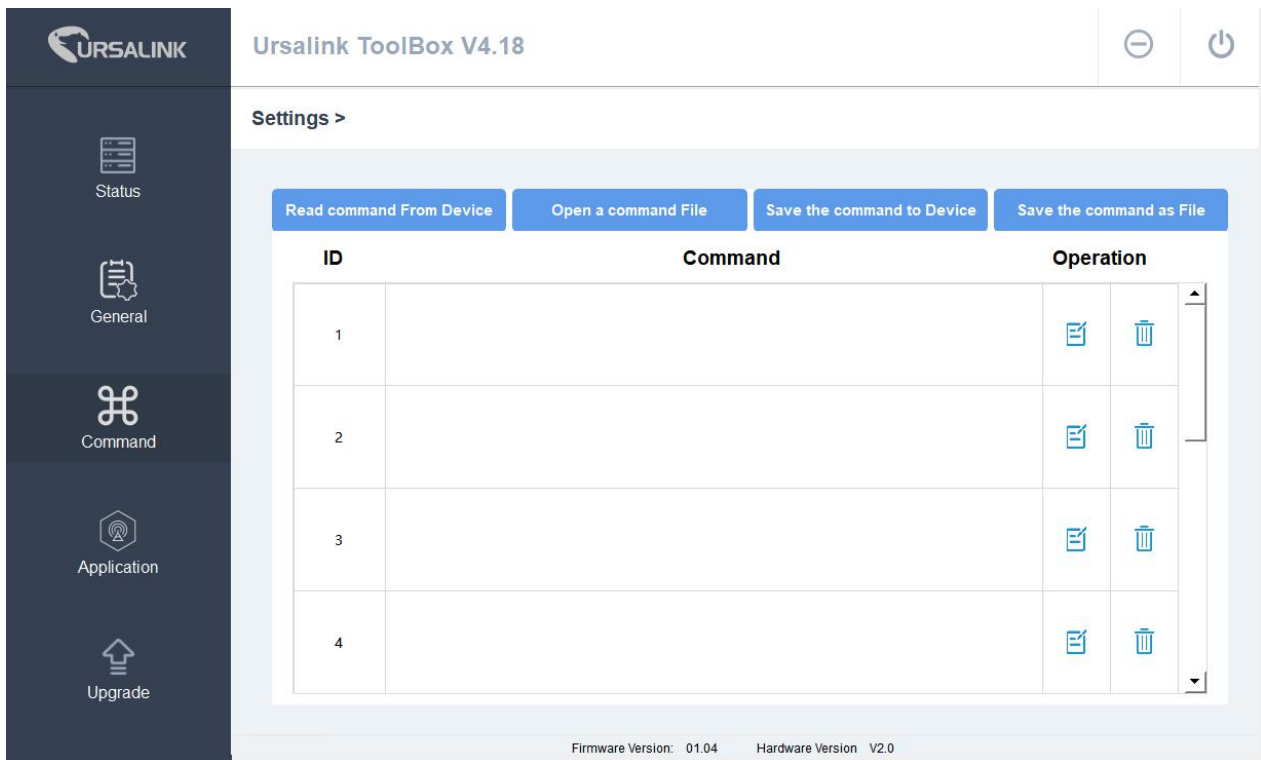
Cellular Settings



Network Type: Auto
SMS Center Number: +8613010390500
SMS Encoding Method: 7 BIT
PIN Code:

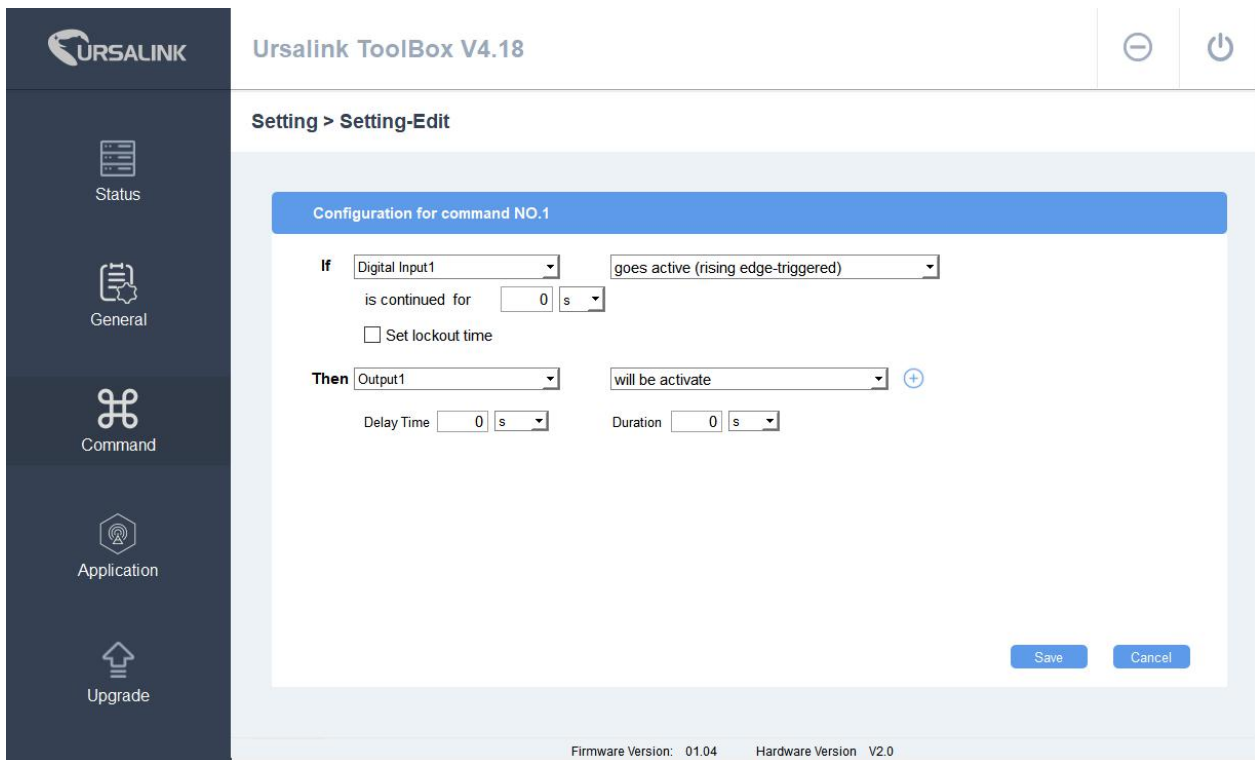
Save

At the bottom of the page, it shows 'Firmware Version: 01.04' and 'Hardware Version V2.0'.

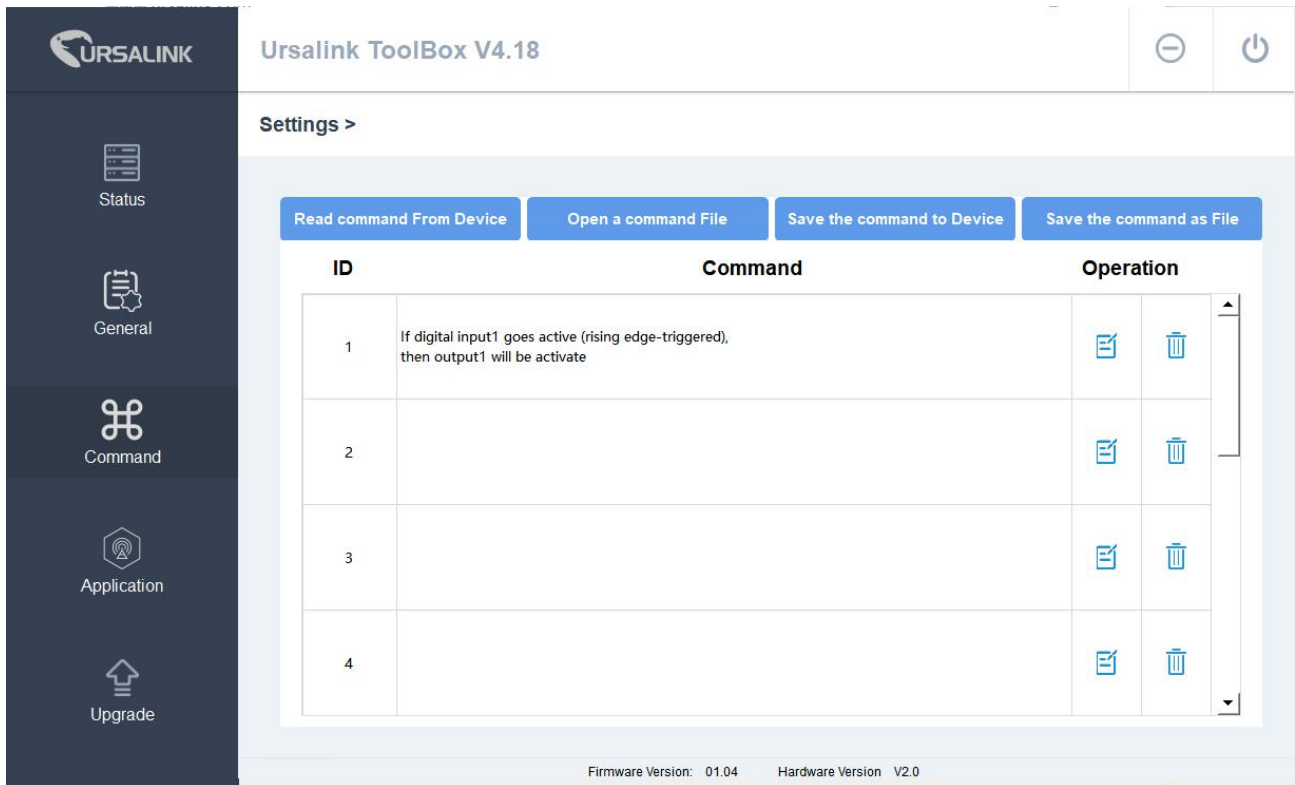
④ Click  "Command" configure the IF&THEN commands.



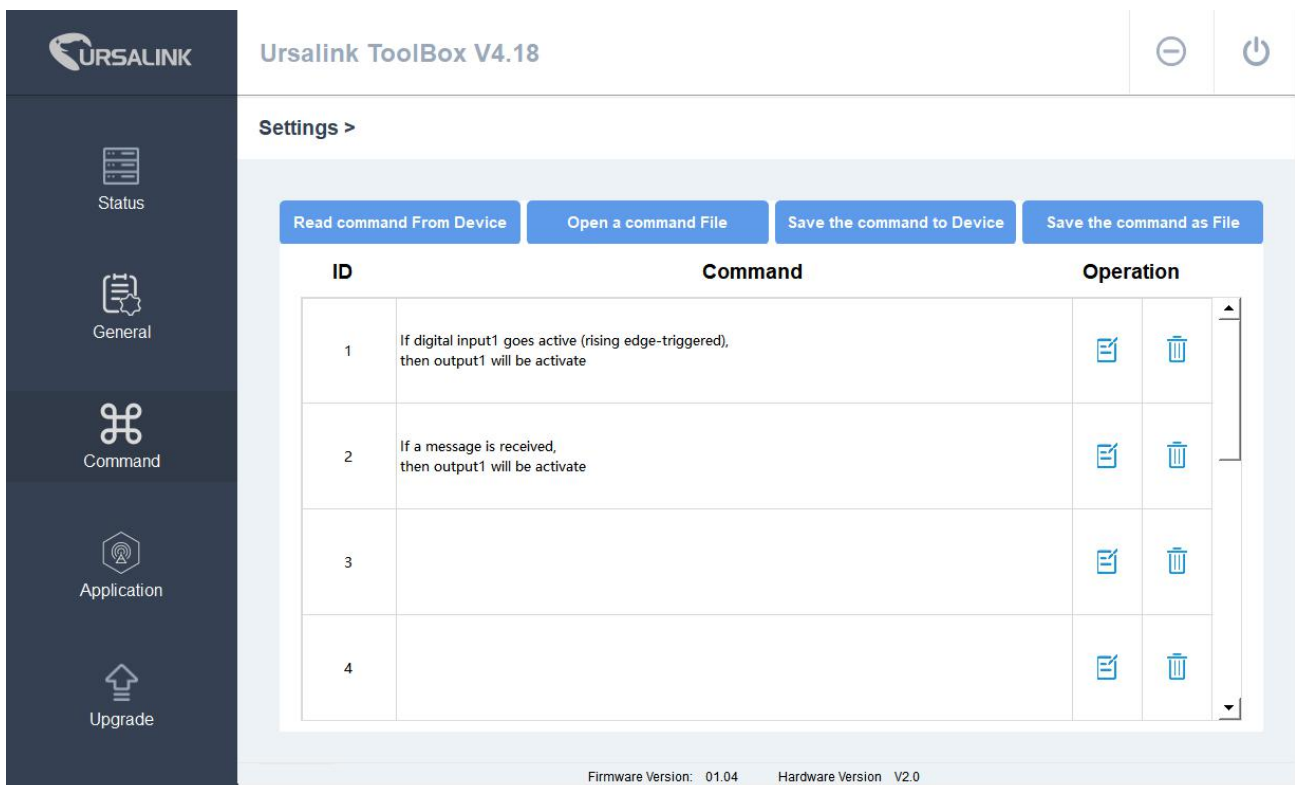
⑤ Click  to configure the IF&THEN commands and click , check details of the commands in user manual



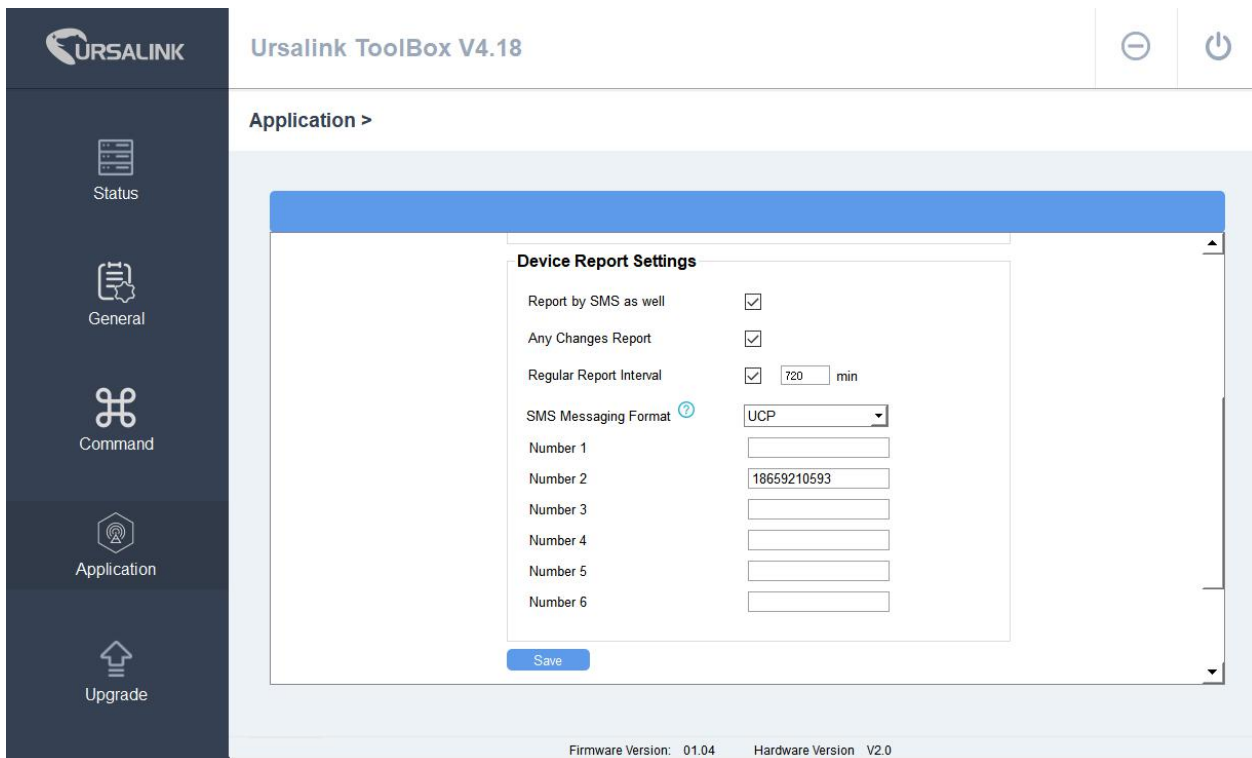
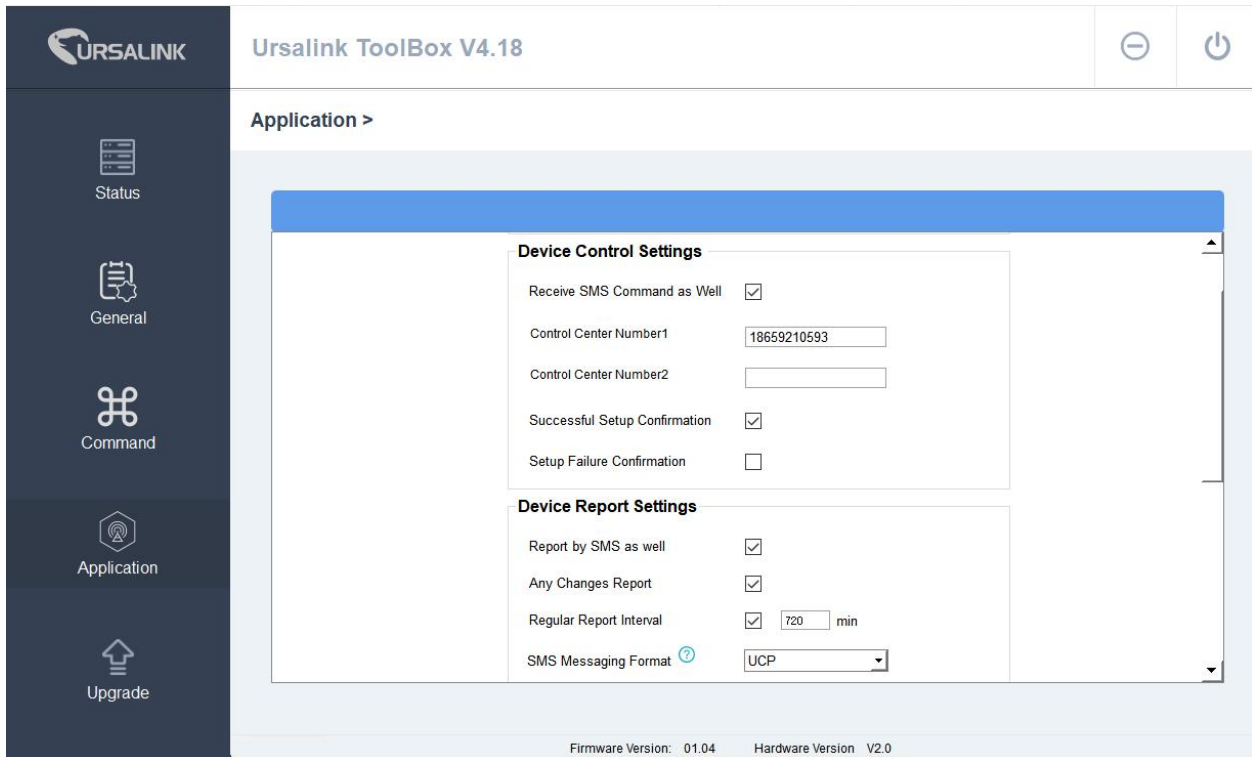
⑥ Click “**Save the command to Device**” to save the command into UC1x14



⑦ Click “**Read command From Device**” to read the commands configured in the UC1x14



⑧ Click “Application” to configure the SMS control phone center number and SMS report phone



[END]