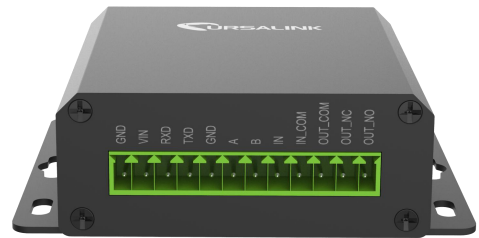




# LoRa Remote I/O UC1114/1122/1152

Easy to Deploy  
Manage and Monitor Your System

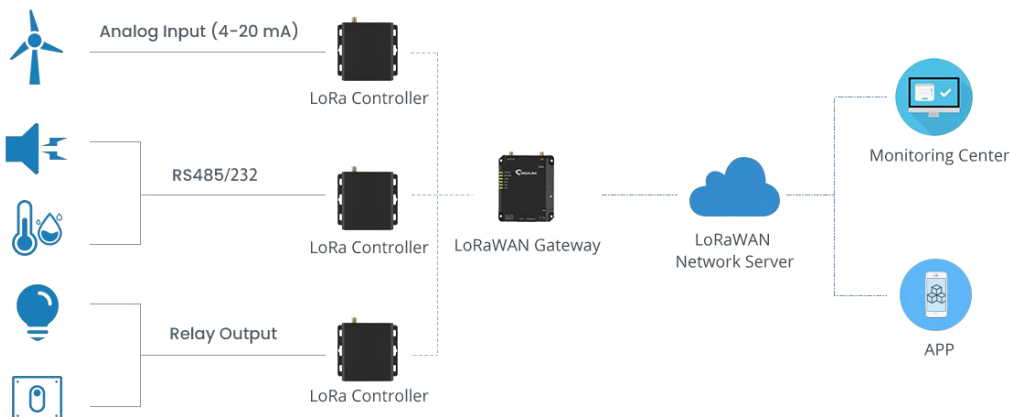
## Industrial LoRa Remote I/O



### ► Features

- Quick configuration by USB
- Hundred of combinations of trigger conditions and actions
- Abundant data transmission interfaces, support AI , DI, DO and serial ports
- Support standard LoRaWAN class C protocol
- Work perfectly with Ursalink LoRaWAN gateway
- Embedded with timer and hardware watchdog
- Rugged metal enclosure optimized for shelf mounting

### ► Application Example



## ► Models

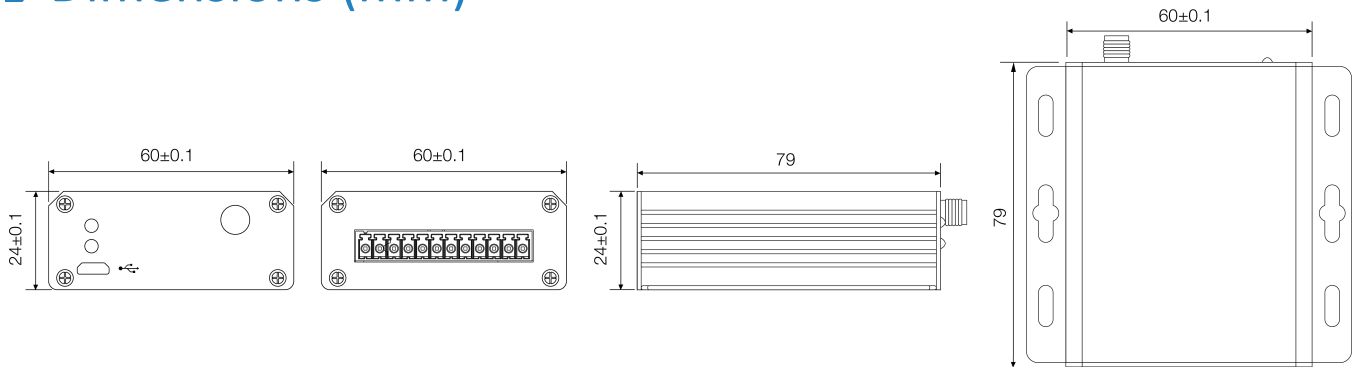
Model	Interfaces
UC1114	2 × DI, 2 × Relay Output
UC1122	2 × AI, 1 × DI, 1 × Relay Output
UC1152	1 × RS232, 1 × RS485, 1 × DI, 1 × Relay Output

## ► Specifications

LoRaWAN Interface	
Connector	1 × 50 Ω SMA (Center PIN: SMA Female)
Frequency Band	EU 433, CN 470-510, EU 863-870, IN865, US 902-928, AU 915-928, KR 920-923
Sensitivity	-147dBm @300bps
Output Power	20dBm
Protocol	Class C
Configuration Interface	
Port	1 × Micro USB
Baud Rate	115200bps
IO	
Connector	Terminal block
Digital Inputs	Opto-isolated Digital Inputs, 3-24VDC Voltage
Digital Outputs	SPDT Relay Contact Rating: 3 amp DC (Max: 30 V) or 3 amp AC (Max: 250 V)
Analog Input	
Connector	Terminal block
Input	Standard 4-20mA
Serial Interface	
Ports	RS232 & RS485
Protocol	Transparent (RS232), Modbus RTU (RS485)
Connector	Terminal block
Baud Rate	4800bps to 115200bps
Power Supply	
Connector	Terminal block
Input Voltage	5-24 VDC (Standard adapter: DC 12 V/0.5 A)
Physical Characteristics	
Ingress Protection	IP30
Dimensions	79 × 60 × 24 mm (3.11 × 2.36 × 0.94 in)

Mounting	Desktop, Wall or Rack Mounting
<b>Others</b>	
LED Indicators	1 × System, 1 × ACT
Built-in	Watchdog, Timer
Operating Temperature	-40°C to +70°C (-40°F to +158°F)
Relative Humidity	0% to 95% (non-condensing) at 25°C/77°F

## ► Dimensions (mm)



## ► Ordering Information

Model	Digital Input	Relay Output	RS232&RS485	Analog Input
UC1114	2	2	--	--
UC1122	1	1	--	2
UC1152	1	1	1	--