

---

**Wireless 2-Gang Water Leak Detector with Rope Sensor**

---

# **Wireless 2-Gang Water Leak Detector with Rope Sensor R718WB2 Data Sheet**

---

Wireless Sensor Network Based on LoRa Technology



## **R718WB2**

**Copyright©Netvox Technology Co., Ltd.**

This document contains proprietary technical information which is the property of NETVOX Technology. It shall be maintained in strict confidence and shall not be disclosed to other parties, in whole or in part, without written permission of NETVOX Technology.

The specifications are subject to change without prior notice.

---

## Wireless Water Leak Detector with Rope Sensor

---

### General Description

R718WB2 is a non-locating leak detection wireless communication device. R718WB2 can detect the leak status through two external dual-core non-positioning water rope sensor, and send the detected data to data center through the wireless network. It uses the SX1276 wireless communication module.

### Main Characters

- Apply SX1276 wireless communication module
- 2 section ER14505 batteries AA SIZE (3.6V/section) parallel power supply
- Non-locating leak detection
- Base with magnet attached to iron objects

### Example Applications

- Engine room
- Warehouse
- Smart home
- Archives
- Air conditioning
- Semiconductor plant
- Data center

### Features of NETVOX Sensors

- LoRaWAN™ Class A compatible
- Frequency Hopping Spread Spectrum (FHSS)
- Improved interference immunity
- Improved power management for longer battery life
- Encrypt-RF™ Security (Diffie-Hellman Key Exchange + AES-128 CBC for sensor data messages)
- Battery Life\*2:

Please refer to web: [http://www.netvox.com.tw/electric/electric\\_calc.html](http://www.netvox.com.tw/electric/electric_calc.html)

At this website, users can find battery life time for varier models at different configurations.

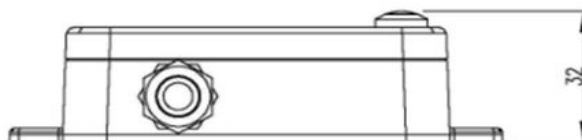
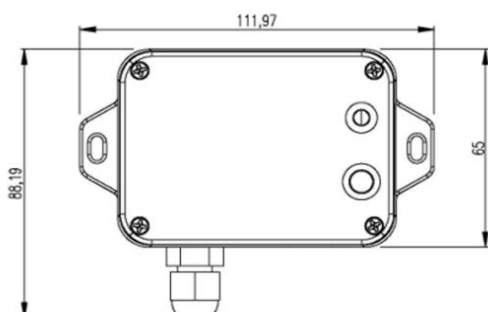
- Over-the-air updates (future)
- Third-Party online wireless sensor monitoring and notification system to configure sensors, view data and set alerts via SMS text and email (optional)
- Available third-party platform: Actility/ThingPark, TTN, MyDevices/Cayenne
- R718X series carry magnets which can be attached to ferromagnetic materials and objects

\*1. Actual range may vary depending on environment.

\*2. Battery life is determined by sensor reporting frequency and other variables

## Wireless Water Leak Detector with Rope Sensor

### Technical Specifications (Main Part)



(Uni. mm)

### Electric

|                                      |  |
|--------------------------------------|--|
| Input Power                          | 2 x 3.6V ER14505 AA lithium batteries<br>(3.6V2400mah/section)   |
| Battery Life                         | 5 years (Conditions: ambient temperature 25 °C, 15 min heartbeats, txpower = 20dBm, LoRa spreading factor SF = 10) |
| Sleeping Mode                        | 20uA   |
| Wake up Mode                         | 6.3mA@3.3V   |
| Low Voltage Threshold                | 3.2V   |
| Receiving Current (max)              | 11mA @3.3V   |
| Transmitting Current (max)           | 120mA/3.3V   |
| Battery Voltage Measurement Accuracy | ±0.1V  |

\* Specific electrical characteristics may vary depending on the power supply voltage.

### Non-positioning Leakage Rope Sensor

|                            |                                      |
|----------------------------|--------------------------------------|
| Material                   | Conductive Polyethylene + Alloy Wire |
| Working Temperature (Max.) | 75° C                                |
| Diameter                   | 5.5mm                                |
| Length                     | 3000mm (± 5mm)                       |
| Fire Rating Grade          | 2 Pressure Vent Cable                |
| Quality                    | 18g/m                                |
| Color                      | Orange                               |
| Breaking Strength          | 60 kg                                |
| Detect Core Resistance     | Less than 5 ohms/100 meters          |
| Recommended Max. Length    | 1000 meters (theoretical value)      |

---

**Wireless Water Leak Detector with Rope Sensor**

---

**Frequency**

|                     |   |
|---------------------|---|
| TX Power            | 19dBm±1dBm  |
| Rx Sensitivity      | -136dBm (LoRa, Spreading Factor=12, Bit Rate=293bps )<br>-121dBm (FSK,Frequency deviation=5kHz, Bit Rate=1.2kbps) |
| Antenna Type        | Build-in antenna  |
| Communication Range | Up to 10 km, the actual transmission distance depends on the environment.   |
| Data Transfer Rate  | 0.3kbps~50kbps  |
| Spread Technique    | LoRa/FSK  |
| Available Frequency | EU863-870, US902-928, AU915-928, KR920-923, AS923, CN470-510 (Configured before shipment)                         |

**Physical**

|                               |                                     |
|-------------------------------|-------------------------------------|
| Dimension                     | Main Part: L: 112mm*W: 65mm*H: 32mm |
| Weight                        | 141g                                |
| Environment Temperature Range | -20℃ ~ 55℃                          |
| Environment Humidity Range    | <90% RH (No condensation)           |
| Storage Temperature           | -40℃ ~ 85℃                          |

**Contact:****NETVOX TECHNOLOGY CO., LTD.****TEL: 886-6-2617641****FAX: 886-6-2656120****E-mail: sales@netvox.com.tw****WEB: www.netvox.com.tw****NETVOX TECHNOLOGY CO., LTD (XIAMEN)****TEL: 86-592-5717188****FAX: 86-592-5717180****E-mail: dyx@netvox.com.cn****WEB: www.netvox.com.cn**