
Wireless 3-Phase Current Meter

Wireless 3-Phase Current Meter R718N3 Data Sheet

Wireless Sensor Network Based on LoRa Technology



R718N3

Copyright©Netvox Technology Co., Ltd.

This document contains proprietary technical information which is the property of NETVOX Technology. It shall be maintained in strict confidence and shall not be disclosed to other parties, in whole or in part, without written permission of NETVOX Technology.

The specifications are subject to change without prior notice.



 LoRa Alliance Member™  zigbee alliance member

Wireless 3-Phase Current Meter

General Description

The NETVOX wireless 3-phase current detector is used to detect 3-phase electrical input current. The device is compatible with the LoRaWAN protocol, and integrates a chip module that conforms to the LoRaWAN wireless protocol, and joins the gateway to display the collected data in the gateway. The device is powered by batteries and receives the load AC current through a current transformer.

Example Applications

- Smart current detection equipment in the city such as home or business
- Thermal system equipment

Features of NETVOX Sensors

- Wireless range of 10km *1
- LoRaWAN™ Class A compatible
- Frequency Hopping Spread Spectrum (FHSS)
- Improved interference immunity
- Improved power management for longer battery life
- Encrypt-RF™ Security (Diffie-Hellman Key Exchange + AES-128 CBC for sensor data messages)
- Battery Life*2:

Please refer to web: http://www.netvox.com.tw/electric/electric_calc.html

At this website, users can find battery life time for varier models at different configurations.

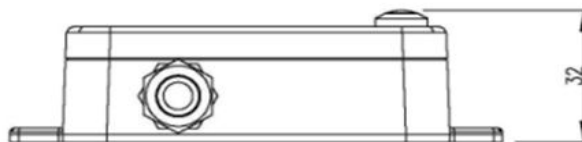
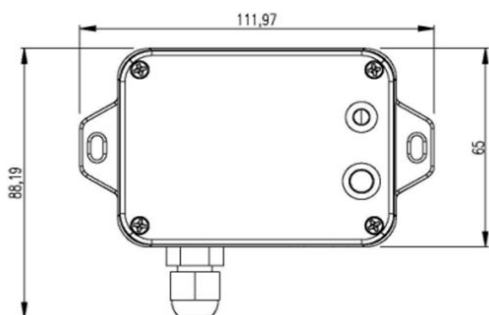
- Over-the-air updates (future)
- Third-Party online wireless sensor monitoring and notification system to configure sensors, view data and set alerts via SMS text and email (optional)
- Available third-party platform: Actility/ThingPark, TTN, MyDevices/Cayenne
- R718X series carry magnets which can be attached to ferromagnetic materials and objects

*1. Actual range may vary depending on environment.

*2. Battery life is determined by sensor reporting frequency and other variables

Wireless 3-Phase Current Meter

Technical Specifications (Main Part)



(Uni. mm)

Electric

Input Power	2 x 3.6V ER14505 AA lithium batteries (3.6V2400mah/section)
Sleeping Current	25uA
Wake up Current	7mA
Receiving Current (max)	11mA @3.3V
Transmitting Current (max)	127mA/3.3V
Battery Voltage Measurement Accuracy	±0.1V
Low Voltage Threshold	3.2V
Current Measurement Accuracy	<+-1%
Current measurement Accuracy Range	100mA to 50A (depending on the current transformer configuration)

Frequency

* Specific electrical characteristics may vary depending on the power supply voltage.

TX Power	19dBm±1dBm
Rx Sensitivity	-136dBm (LoRa, Spreading Factor=12, Bit Rate=293bps) -121dBm (FSK,Frequency deviation=5kHz, Bit Rate=1.2kbps)
Antenna Type	Build-in antenna
Communication Range	10 km (line-of-sight, the actual transmission distance depends on the environment)
Data Transfer Rate	0.3kbps~50kbps
Spread Technique	LoRa/FSK
Available Frequency	US915 AU915 AS923 EU868 KR920 CN470 Configured before shipment

Wireless 3-Phase Current Meter

Current Transformer

Rated input current	60A, 50Hz~60Hz
Rated output current	20mA
Ratio	3000:1
Phase difference (at rated input)	≤10' (100 Ω)
Linearity	0.1%
Isolation withstand voltage	3000V
Housing Material	Flame Retardant Grade 94-V0 UL Material
Environmentally friendly	In line with ROHS
Working temperature	-40° C~+85° C

Physical

Dimension	Main Part: L: 112mm*W: 65mm*H: 32mm
Weight	141g
Environment Temperature Range	-20°C ~ 55°C
Environment Humidity Range	<90% RH (No condensation)
Storage Temperature	-40°C ~ 85°C

Contact:

NETVOX TECHNOLOGY CO., LTD.

TEL: 886-6-2617641

FAX: 886-6-2656120

E-mail: sales@netvox.com.tw

WEB: www.netvox.com.tw

NETVOX TECHNOLOGY CO., LTD (XIAMEN)

TEL: 86-592-5717188

FAX: 86-592-5717180

E-mail: dyx@netvox.com.cn

WEB: www.netvox.com.cn



 LoRa Alliance Member™  zigbee alliance member