

Plastic square shape photoelectric sensors **PSC** series


Features

- ◆ Through beam reflection working principle;
- ◆ Excellent anti-interference performance
- ◆ High detection accuracy

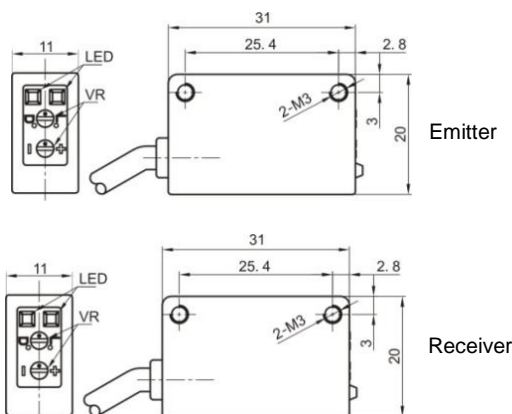
Part number

		Emitter		Receiver	
NPN	NO/NC	PSC-TM15T	PSC-TM15TNB	PNP	NO/NC
				PSC-TM15T	PSC-TM15TPB

Technical specifications

Detection type	Through beam	Consumption current	≤15mA
Rated distance [Sn]	15m (Emitter adjustable)	Circuit protection	Short-circuit and reverse polarity
Standard target	> φ10mm opaque object	Response time	< 2ms
Light source	Infrared LED (850nm)	Output indicator	Emitter: Green LED Receiver: Yellow LED
Dimensions	31 mm *20 mm *11mm	Ambient temperature	-25°C...+55°C
Output	NO/NC	Ambient humidity	35-85%RH (non-condensing)
Supply voltage	12...24VDC	Voltage withstand	1000V/AC 50/60Hz 60s
Min target	Insulation resistance	≥50MΩ(500VDC)
Hysteresis range [%/Sr]	Vibration resistance	10...50Hz (0.5mm)
Repeat accuracy [R]	≤5%	Degree of protection	IP67
Load current	≤100mA (receiver)	Housing material	PC/ABS
Residual voltage	≤2.5V (receiver)	Connection type	2m PVC cable

Dimensions



Wiring diagram

