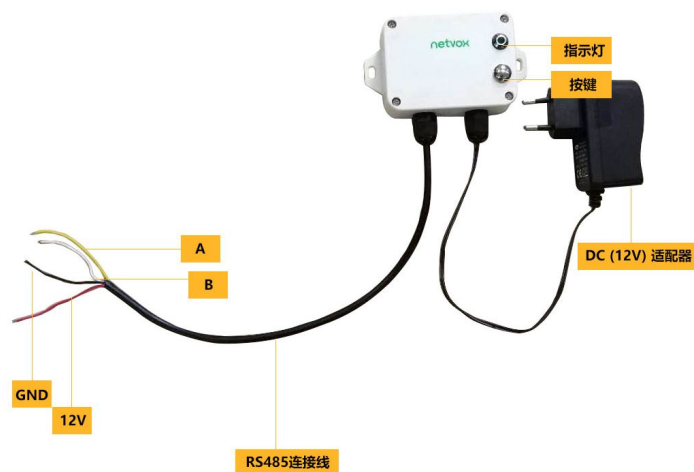


Wireless RS485 Serial Port Transmission R718PC Data Sheet

Wireless Sensor Network Based on LoRa Technology



R718PC

Copyright©Netvox Technology Co., Ltd.

This document contains proprietary technical information which is the property of NETVOX Technology. It shall be maintained in strict confidence and shall not be disclosed to other parties, in whole or in part, without written permission of NETVOX Technology.

The specifications are subject to change without prior notice.

Wireless RS485 Serial Port Transmission

General Description

This device only supports RS485 serial port transparent transmission (RS485 sensor power supply is DC12V), which can send read commands to the sensor supporting RS-485 protocol according to the configured cycle time. The information of sensor reply will be directly reported to the gateway, and displayed in the interface on the gateway. It uses SX1276 wireless communication.

Main Characteristics

- Adopt SX1276 wireless communication module
- DC 12V adapter power supply
- Protection class IP65
- The base is attached with a magnet that can be attached to a ferrous object
- RS485 serial port transparent transmission

Example Applications

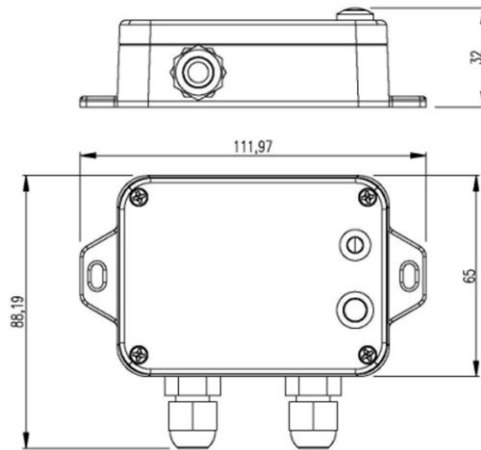
- RS485 serial port transparent transmission

Features of NETVOX Sensors

- Frequency Hopping Spread Spectrum (FHSS)
- Improved interference immunity
- Encrypt-RF™ Security (Diffie-Hellman Key Exchange + AES-128 CBC for sensor data messages)
- Over-the-air updates (future)
- Third-Party online wireless sensor monitoring and notification system to configure sensors, view data and set alerts via SMS text and email (optional)
- Available third-party platform: Actility/ThingPark, TTN, MyDevices/Cayenne

*1. Actual range may vary depending on environment.

Wireless RS485 Serial Port Transmission

Technical Specifications


(Uni. mm)

Electric

Power Supply	DC 12V adapter power supply
Working Current	35mA (when there is no external sensor)

*The specific electrical characteristics will vary depending on the power supply voltage.

Frequency

TX Power	19dBm±1dBm
Rx Sensitivity	-136dBm (LoRa, Spreading Factor=12, Bit Rate=293bps) -121dBm (FSK,Frequency deviation=5kHz, Bit Rate=1.2kbps)
Antenna Type	Build-in antenna
Communication Range	Up to 10 km, the actual transmission distance depends on the environment.
Data Transfer Rate	0.3kbps~50kbps
Spread Technique	LoRa/FSK
Available Frequency	EU863-870, US902-928, AU915-928, KR920-923, AS923, CN470-510 Configured before shipment

Wireless RS485 Serial Port Transmission

Physical

Dimension	L:112mm*W:88.19mm*H:32mm
Weight	160g
Working Temp	-20° C ~ +55° C
Storage Temp	-40°C ~ +85°C
Humidity Detecting Range	<90%RH (noncondensing)

Contact:**NETVOX TECHNOLOGY CO., LTD.****TEL: 886-6-2617641****FAX: 886-6-2656120****E-mail: sales@netvox.com.tw****WEB: www.netvox.com.tw****NETVOX TECHNOLOGY CO., LTD (XIAMEN)****TEL: 86-592-5717188****FAX: 86-592-5717180****E-mail: dyx@netvox.com.cn****WEB: www.netvox.com.cn**