

# Instructions

## Blower and Vent Kit

Kit p/n BS303-0407 115VAC

Kit p/n BS303-0417 230VAC

**Introduction:**

The Buck Scientific blower and vent kit is designed for use with the Buck 200 series Atomic Absorption Spectrometer, or any model of Atomic Absorption Spectrometer that vents to the top of the instrument.

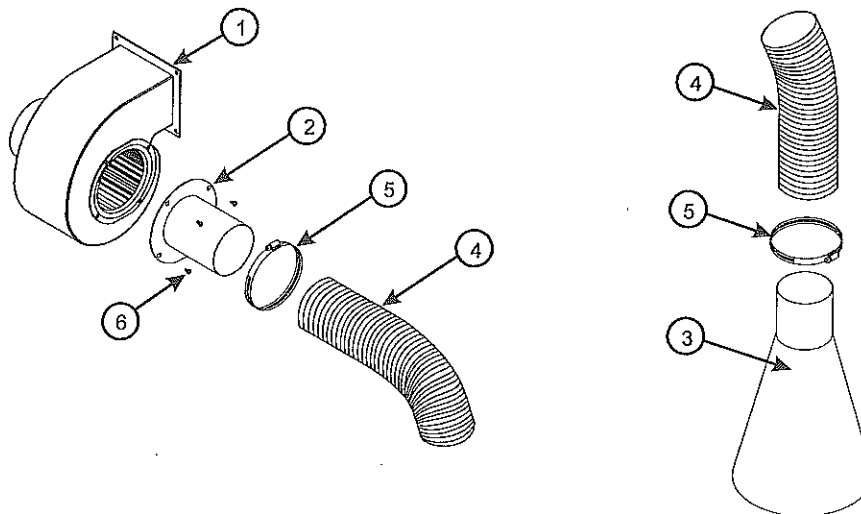
All components ( except the blower motor ) are made from stainless steel and should last for years of service.

All parts necessary to assemble the vent kit are included :

Item	Part Number	Description	Quantity
1	999-3076	Blower, 115VAC	1
	999-3077	Blower, 230VAC	
2	116-1000	Blower inlet adapter	1
3	116-1001	Exhaust vent	1
4	999-3075	4 in. x 10 ft flex hose	1
5		Worm drive clamp	2
6		Screws*	4

\* Remove and reuse the installed screws on the blower motor inlet bezel.

**Assembly:**

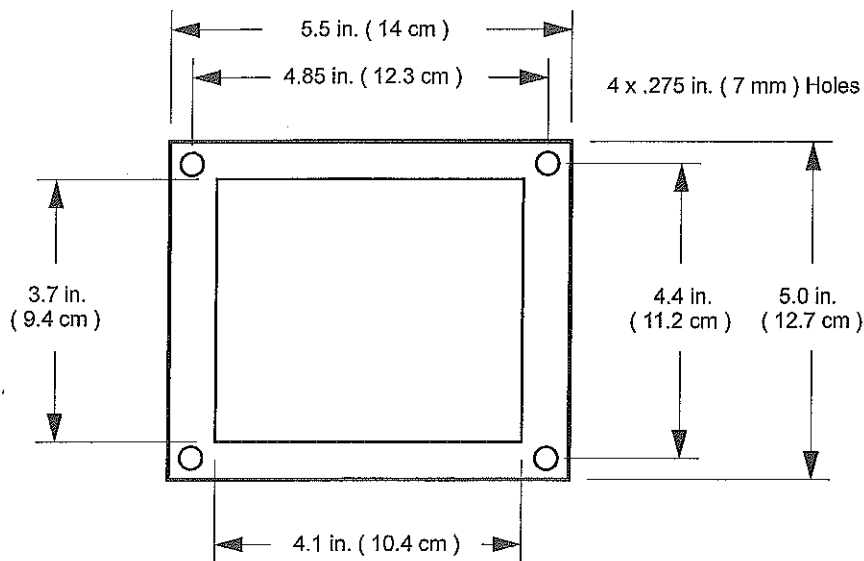


**Additional Items Required, but not provided:**

- Fasteners to mount the blower motor
- Wiring and other connection components such as wire nuts, electrical tape, etc.
- Stainless steel sleeve, p/n 116-1002 to join lengths of 10 ft flex hoses ( if required )

**Installation:**

Mount the blower motor to a wall with an opening exhausting to the outside. Alternatively the motor can be mounted to a larger ventilation duct system. Make sure that the ventilation system can provide enough flow as not to restrict the flow of the blower motor.



**Blower Motor Exhaust Flange and Mounting Holes**

*All electrical connections must be done by a qualified electrician. Local electrical codes do not permit Buck Scientific service or technical personnel to wire the blower motor to facility wiring.*

A simple electrical connection can be done by attaching a power cord to the blower motor if an outlet is located near the blower motor installation. A switched outlet is recommended so that the blower motor can be shutoff when not in use.

A ground connection must be made to the blower motor body. Ground on the blower motor is indicated by grounding symbol :



**Hood location:**

Position the vent hood 8" to 12" maximum above the instrument chimney and directly above the flame head.

