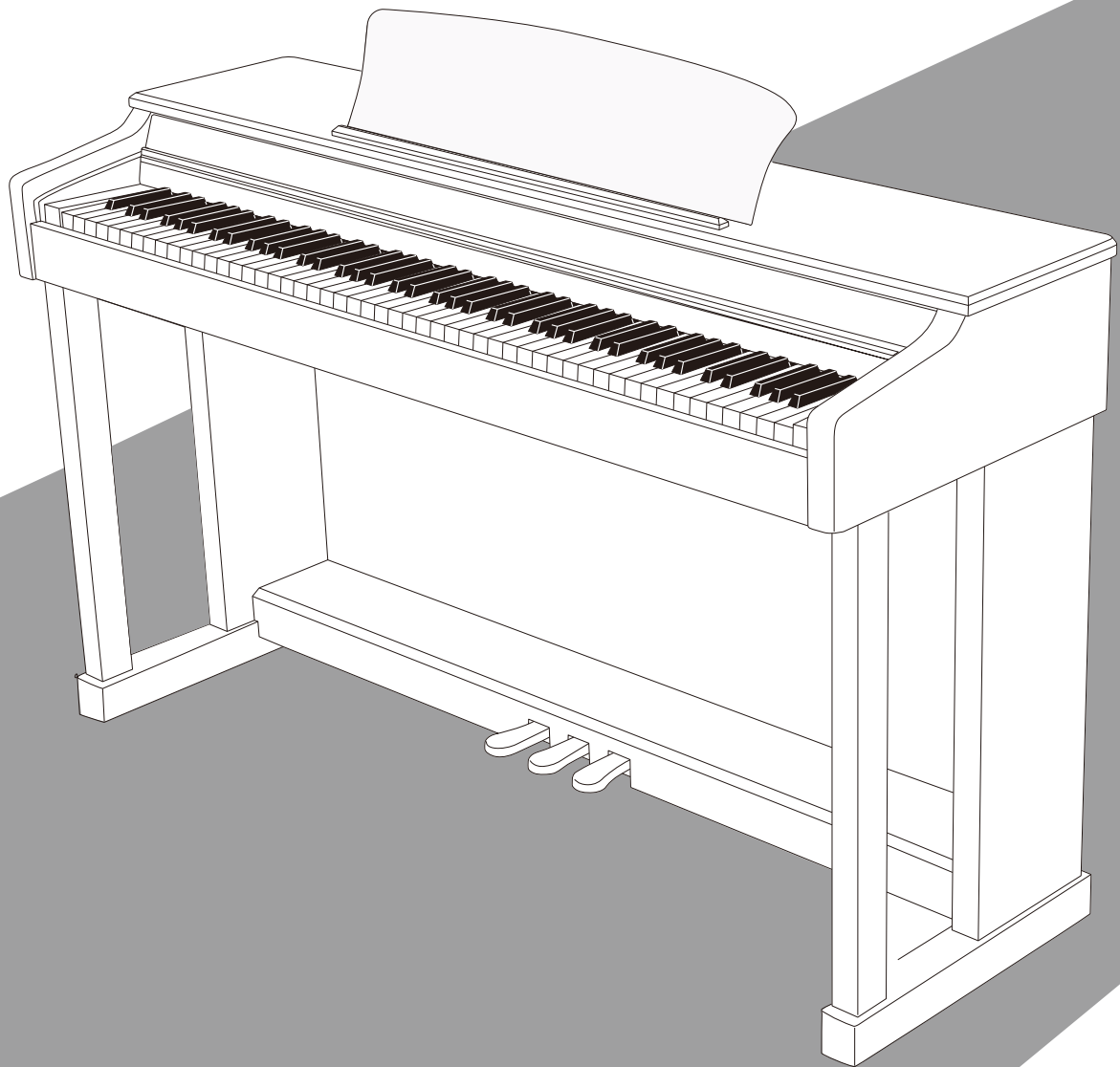


DONNER **DDP-100**

Digital Piano Instruction



If there are any changes to this product
No further notice



FEATURES

Thank you for your purchase of our company's digital piano. The digital piano is elegant and sophisticated, which is the perfect combination of traditional tone quality & touch and the latest modern electronic technology.

- ◆ Before playing this piano, be sure to read the instruction carefully.

Special reminder: This product is an electronic product. It's a normal phenomenon that the amplifier (two horns or one horn, headphone) has some current sound after electrified. It is necessary to keep away from these devices, such as radio, routers, TV receivers, refrigerators, washing machines, etc.

Using DREAM Sound Source

French top DREAM sound source was adopted in its core. The samples were digitized, bringing realistic hearing experience for your performance.

88 Hammer-Action Key

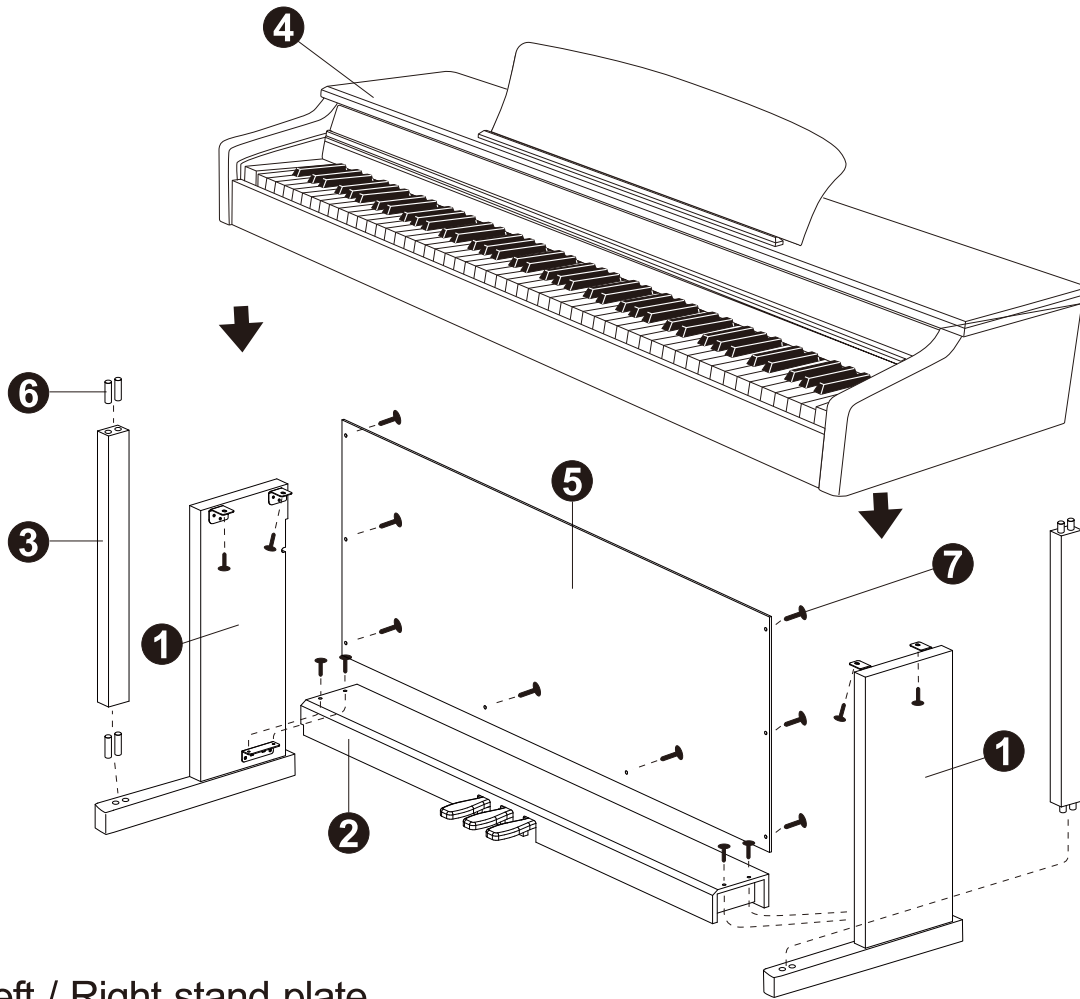
88 Hammer-Action Key gives you the real touch of playing on a grand piano.

Headphone Socket

External headphone socket is convenient for you to play in a relatively quiet environment without disturbing others.



INSTALLATION

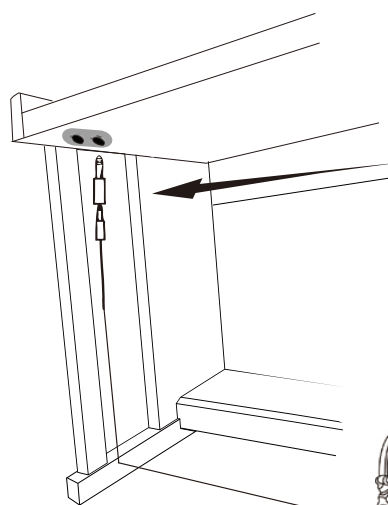
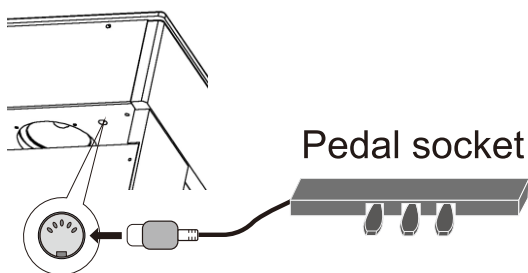


- ❶ Left / Right stand plate
- ❷ Pedal box
- ❸ Stand leg
- ❹ Piano body
- ❺ Big back plate
- ❻ Log bolt
- ❼ Screw



Be careful

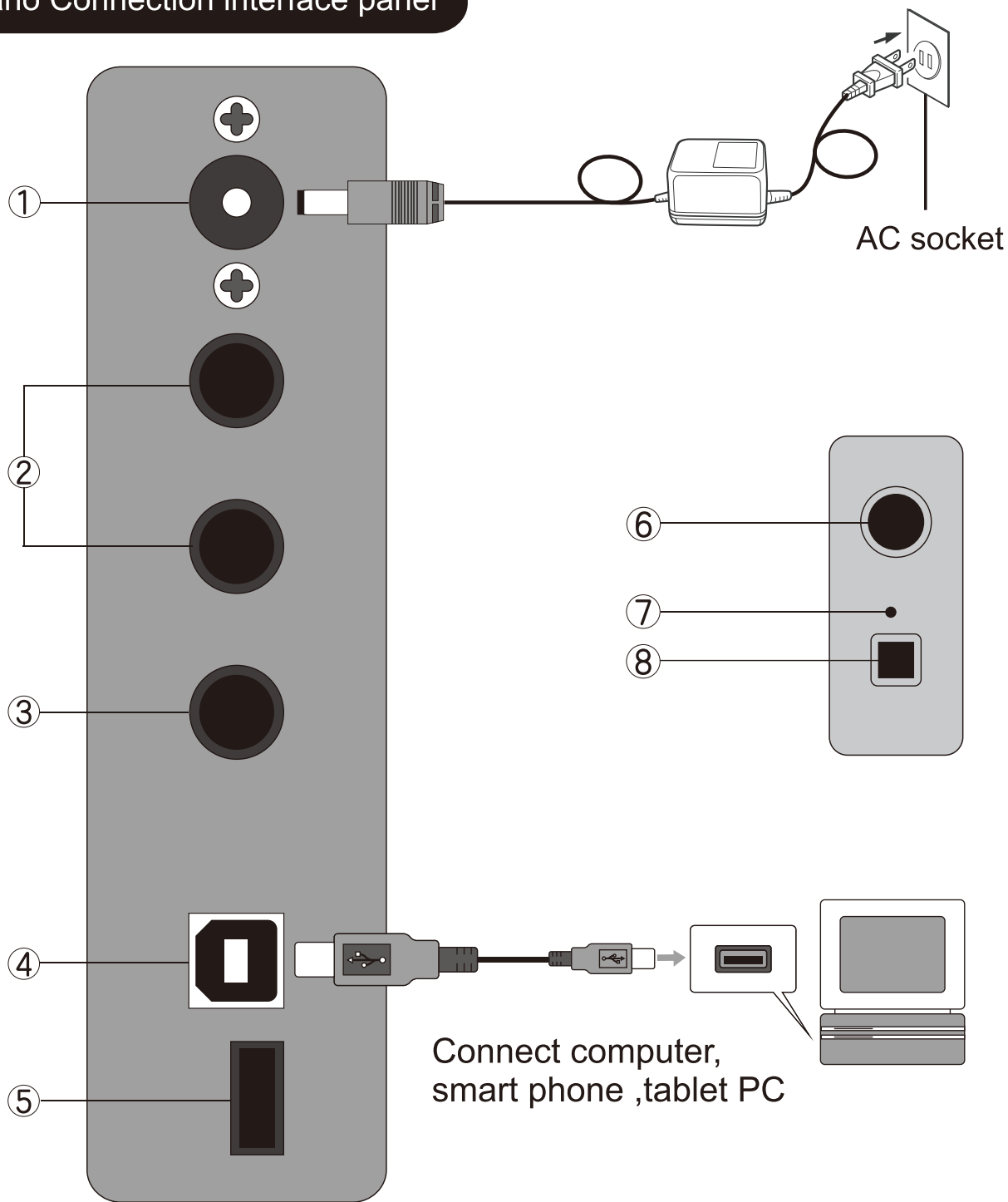
Fully engage the headphone cable with the adapter. If it's not fully connected, there's a murmur in the headphones.



The headphone cable connects the adapter first and then to the headphone interface at the bottom left side of the host.

OPERATIONS

Piano Connection interface panel



- | | | |
|---------------------------------|-------------------------------------|-----------------------|
| 1 Power line socket | 4 USB transmission interface | 7 Power light |
| 2 Audio input and output | 5 MP3 socket | 8 Power switch |
| 3 Pedal socket | 6 Master volume | |

Before using this instrument, you must read the instruction in detail.

OPERATIONS

1 Power line connection

1. Connect the power line as figure shown, insert one end into the socket at the bottom of the piano operation plate and insert the other end into the 220V household power socket. (Figure 1)
2. If you do not use this product for a long time, unplug the power cord and keep it properly.

2 Piano performance

1. Turn on the power switch to the OPEN state. When the instruction light is on, you can start to play.
 2. You can play whatever melody you want.
 3. Please turn off the power supply when not in use.
- This product processor chip is complex, similar to the computer system, and sometimes it cannot respond immediately. Please turn off the power switch and then turn on to normal work.

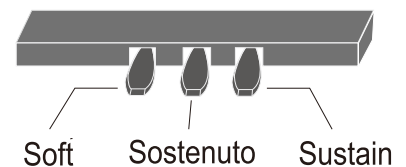
-
- This product is specially designed for piano learning and performing so the timbre has only the standard pure piano timbre.

3 Volume control

Use volume regulator knob to increase or decrease the volume of the piano, please turn the volume up to a proper level.

4 Use of pedals

This product has three pedal corresponding three functions: soft, sostenuto and sustaining. When using, please step on the corresponding pedal with your foot according to your needs.



5 USB transmission interface

The USB transmission interface can be connected to the computer. Through the installed music software on the computer, you can learn or play the keyboard to perform, compose and store the music. The edited music and built-in accompaniment in the music software can be played by the digital piano which is connected to the software or by the accompanied music.

6 USB socket

When you insert the USB flash drive, the piano can automatically play the MP3/WAV audio format's songs. (Please make sure your USB flash drive is clean , and no other files except audio format files.)



PRODUCT CARE

Conscientiously do a good job in the maintenance and protection of this product. It plays an important role in prolonging the service life and reducing faults.

1 Avoid heat, dampness, or direct sunlight.

The product should not be exposed excessively to the direct sunlight, placed near the air conditioner or extremely hot places.

2 No use near TV or radio.

This product may cause video or audio interference to the reception of TV and radio. If this happens, it should be removed from the radio or TV products.

3 Don't use paint, diluent or similar chemicals to clean it.

Wet a soft towel with weak solution and detergent and wring it out until it dries. Clean the product with this towel.

4 No shaking and collision.

The product should be moved carefully. Violent shake and collision are prohibited to avoid damaging the shell or internal electronic components.



Accessories

Accessories list

| Description | Quantity |
|----------------------------------|---------------------------|
| Power adapter | 1 PCS |
| The main body | 1 PCS |
| Pedal plate bridge | 1 PCS |
| Left and right supporting plate | 1 PCS |
| Left and right supporting column | 2 PCS |
| Back fixed plate | 1 PCS |
| Spile | 8 PCS (2 PCS for backup) |
| Screw | 16 PCS (2 PCS for backup) |
| Certificate | 1 PCS |
| Nstructions | 1 PCS |

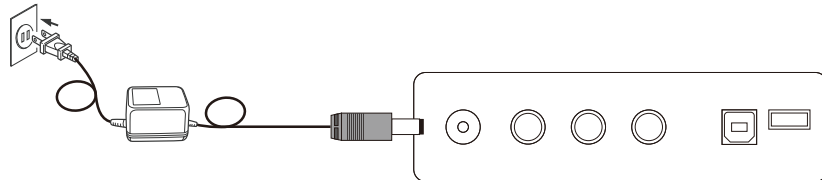
Musical instrument parameters

| | |
|-----------------------|-------------------------------------|
| KEY: 88 PCS | Intonation : ≤ 3 Cent |
| Range : A2 - C5 | Speaker System: $\geq 20W \times 2$ |
| Style: Vertical Piano | Power Source Parameter: DC 12V |

PRECAUTIONS

Power adapter

This product can be supplied by standard indoor wall socket. Please use only the power cord specified by this product. When you do not use, please be sure to turn off the power supply. If you do not use it for a long time, please pull out the power cord and keep it properly.



Sign

In order to ensure that you use this product safely and correctly, prevent damage to the user and other people and the financial issue. The specification and the product are marked with a series of safety signs. All kinds of signs and their meaning are as follows:

Warning

This sign indicates that , if you ignore the flag and error operation of this product , there is a fire hazard or serious injury to personnel.

Attention

This sign indicates that, if you ignore the flag and the wrong operation of this product, there is a potential risk of injury or other financial damage caused by personnel.

Logo example



This triangle mark indicates that the user should pay attention to the matters. (Left case shows “Be careful electric shock.”)



The circular sign painting a slash said prohibited matters.
The logo shows the specific content of the ban. (Left case shows “No Disassemble”.)



Black dots indicate matters must be complied with. Icon in this sign indicates the specific content that must be followed. (Left case shows “The power plug must be pulled out of the socket.”)



PRECAUTIONS

Warning

Smoke, odor, overheating

When the product is smoking, emitting odors or overheating, continue use may lead to the danger of fire and electric shock. In the event of such a situation, the following operations shall be carried out immediately.

1. Turn off the power supply.
2. Pull the plug from the power outlet.
3. Contact your agency.

Power line

Improper use of power supply leads to danger of fire and electric shock must observe the following precautions.

1. Special power lines specified for this product must be used.
2. An AC power source with output voltage within the household rated voltage must be used.
3. It is not allowed to overload the power socket and the power extension line.

Improper handling of power lines may result in damage or rupture, which may cause the danger of fire and electric shock. The following precautions must be observed:

1. Do not place heavy objects on the power line or make them heated.
2. Do not attempt to transform the power cord or bend it too much.
3. Do not twist or pull the power cord.
4. If the power cord or plug is damaged, replace the power cord of the same type.

Do not use wet hands to touch the power cord and plug, otherwise there is a risk of electric shock.

1. Please use the power lines in the place where the water will not be spilled. Water has the risk of fire and electric shock.

2. Never put a vase or any other container with water on this product. Water has the risk of fire and electric shock.

3. Do not let the minors contact plug and power line or a connecting plate. The minors have less knowledge of electricity safety which may cause danger of electric shock.



Warning

Improper use of power lines has the risk of fire and electric shock hazard. The following precautions must be observed.

1. Do not place the power cord near the furnace or other heat sources.
2. Unplug the power cord from the power outlet. The plug body must be grasped.
3. Plug the power cord into the power socket.
4. Before connecting or cutting off the power cord, make sure that the power is off.
5. The power cord should be removed from the electrical outlet of the wall before a thunderstorm occurs or traveling or before other long leave.
6. At least once a year, unplug the power cord from the wall outlet and clean the dust around the plug.





PRECAUTIONS

Don't burn this product

Do not put this product into the fire otherwise it will cause the burning of wood products and the explosion of the internal electronic components. There is a danger of fire and personnel injury.



Water and foreign matter

Water and other liquids and (metal) into this product has the risk of causing fire and electric shock. The following operation should be performed immediately when the above situation occurs.

1. Turn off the power supply.
2. If the power cord is used for power supply, it will be pulled off from the wall of the power outlet.
3. Contact your dealer.



Dismantling and rebuilding

Do not disassemble this product or transform it in any way. Otherwise it will be hazardous to electrical shock, burns or other personal injury. All internal inspection, adjustment and maintenance operations should be entrusted to your dealer.



Drop or impact

This product is subject to the risk of fire and electric shock after falling or being subjected to a strong impact. The operation should be performed immediately following the above mentioned situation.

1. Turn off the power supply.
2. If the power cord is used for power supply, it should be pulled off.
3. contact your dealer.



Plastic bag

Do not let any person put the plastic bag on the head or put in the mouth. Otherwise there is the risk of suffocation Families with children should pay special attention to that.

Keep the distance with the product and support.

Climb the body or its support is in danger of tipping or damage. The children's families should pay special attention to.



Display

You should avoid placing this product on an uneven surface or any other unstable place. Otherwise, it will cause it falling and a risk of injury to the person.

Product movement.

Before moving this product, you must first pull off the wall of the power outlet, the power cord plug and pull off all other cables and connecting wires. Otherwise there will be damage to the line, resulting in fire and electric shock hazard.



Clean

Before you clean this product, you must first remove the power cord from the wall outlet, otherwise there is a risk of fire and electric shock.

Interface

The interface of this product can only be connected to the specified equipment and devices. The connection of non designated equipment or devices have the risk of fire and electric shock.





PRECAUTIONS

Location selection

This product shouldn't be put in the following places. Otherwise there will be a risk of fire or electric shock.

1. High temperature or dusty places.
2. Kitchen or other places with oil fumes.
3. A place where direct sunlight is irradiated. Do not expose to excessive heat or moisture environment.

Volume



Do not play music at high volume for long periods of time. Special attention should be paid when using the headphones. Too high volume may damage your hearing.

Heavy objects



Do not place heavy objects on this product otherwise the top will be overloaded causing the product or the object falling and the risk of injuring persons.

Correct assembly of the support

The incorrect assembly of support will make it overturned, causing the product dropping and the risk of injuring personnel.

Therefore, it is necessary to carry out the instructions in accordance with the instructions to ensure that the product is properly installed.

Replace the fuse

If the fuse breaks, there may be short circuit or voltage instability in the product. Professionals are required to identify and replace them, otherwise there is a risk of fire or electric shock.

After-sales service

Warranty card

Warranty provisions:

1. If failure occurs in the normal use of this product, from the date of purchase (invoice date) you can enjoy _____ day's free warranty service.
2. The failure occurs during the warranty period, the warranty card and the shopping note must be shown in maintenance time.
3. Free warranty will not be provided in the following cases:
 - A. The same warranty card and shopping notes cannot be provided at the same time.
 - B. The purchase date of the bill is altered.
 - C. The damage caused by improper use of user.
 - D. The fault caused by fire, flood, earthquake, lightning and other irresistible factors.
 - E. The failure caused by unauthorized removal.
4. After the expiration of guarantee period, our company is responsible for the maintenance but charge a fee as appropriate.

Maintenance point: _____

Contact number: _____

Troubleshooting

| Issue | Reason | Solution |
|---|---|--|
| There was no sound on the keyboard. | <ol style="list-style-type: none"> 1. Volume Controller Set at Minimum Position. 2. Headphones or Plug Converters insert headphone jack. 3. The power supply is not connected or the piano is off. | <ol style="list-style-type: none"> 1. Turn the volume to the right maximum volume. 2. Remove the original connector from the headphone jack. 3. Turn on the power supply and press the boot button. |
| The pedals don't work. | <ol style="list-style-type: none"> 1. Connecting line jack of pedal is not plugged into piano. 2. Pedal plug loose. | <ol style="list-style-type: none"> 1. Plug the pedal cord into the piano jack. 2. Check to confirm whether the plug at one end of the pedal connection is loose or not, and then tighten it. |
| When the piano power is turned on or off there is a murmur. | Normal phenomenon | This is a normal phenomenon, indicating that the current enters the machine at this time. |
| The piano is noisy when using a mobile phone. | Radio interference | The use of mobile phones in the vicinity of the piano produces radiation. To avoid this situation, you can turn off the mobile phone or use it away from the piano. |
| Abnormal tone or rhythm. | Power shortage | Power shortage. Check power stability. |
| It seems that all tones are pronounced or that the pronunciation seems to be cut off. | Normal phenomenon | The maximum number of simultaneous sounds on this instrument is 128 notes. If the dual tone mode is in use and the accompaniment or music is playing, some notes or sounds in the accompaniment or music will be default. |
| Under the same timbre, the quality of a note is different from that of a note. | Normal phenomenon | This is a normal phenomenon. This machine adopts AWM sound source mode. This kind of sound source is sampled and recorded in the whole keyboard area, so the quality of the two notes is slightly different. |



Welcome to Donner

Donner Technology Co., Ltd.

www.idonner.com / www.donnerdeal.com