

CONVEYOR OUT

CONTROL PANEL

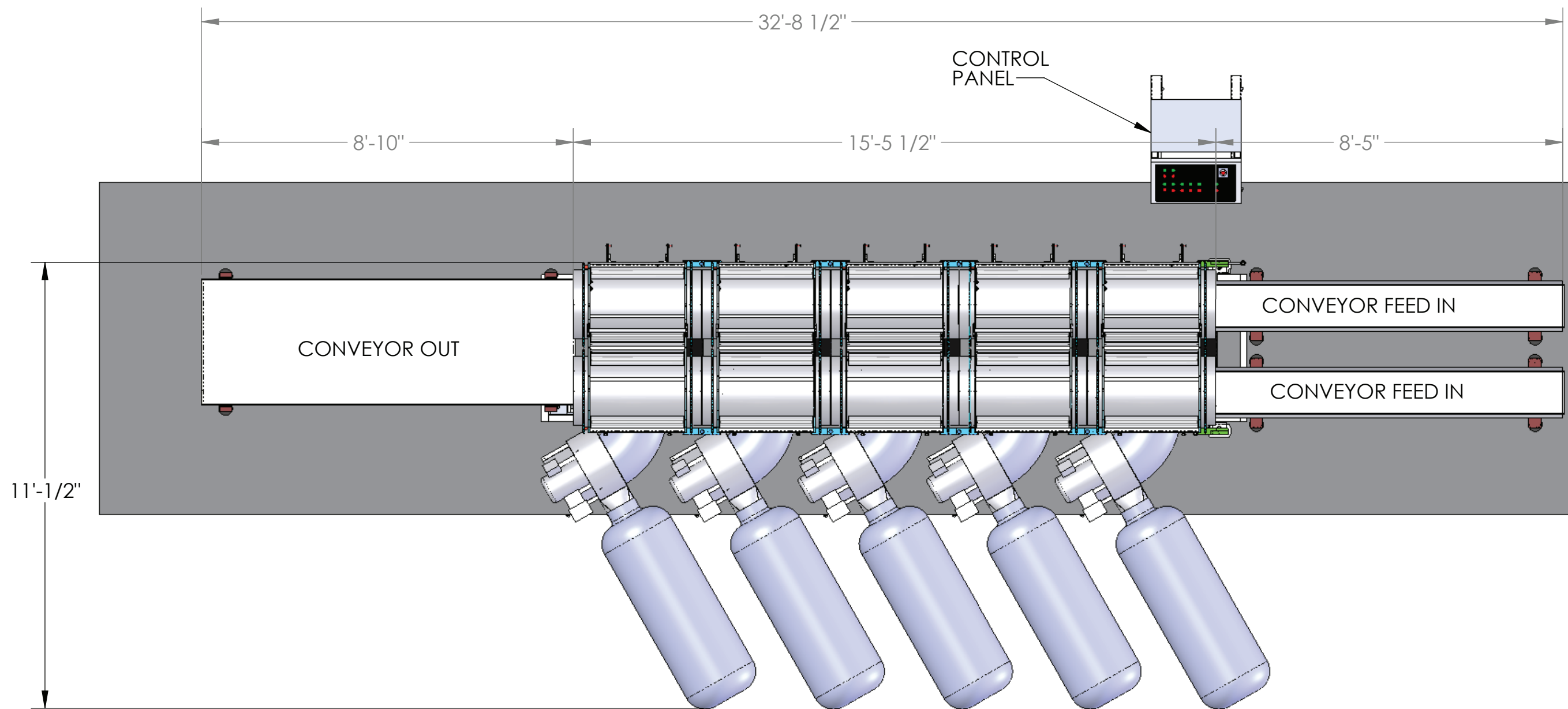
CONVEYOR IN



TITLE: XL 10.0 SYSTEM

UNLESS OTHERWISE SPECIFIED:  
 DIMENSIONS ARE IN INCHES  
 TOLERANCES:  
 FRACTIONAL ±0.030  
 ANGULAR: MACH ± 1° BEND ±  
 TWO PLACE DECIMAL ±.010  
 THREE PLACE DECIMAL ±.005

SIZE	DWG. 3-D.	REV
<b>A</b>	10.0 Complete + Conveyors	-



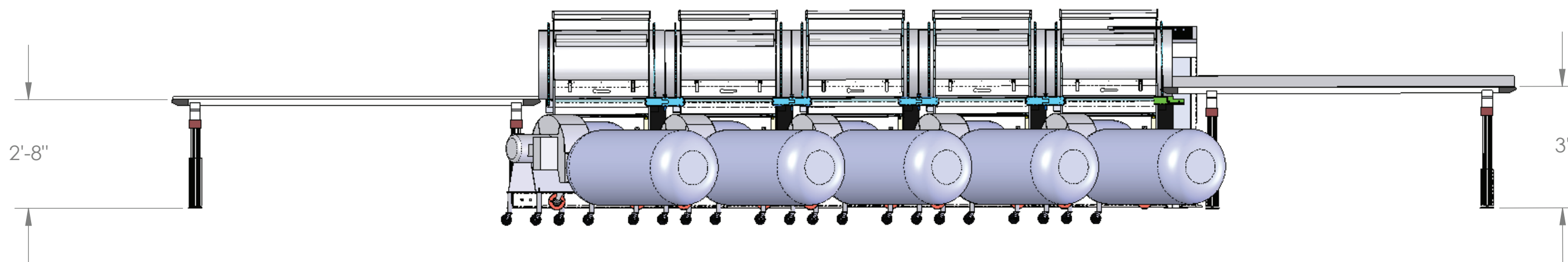
PLAN VIEW

UNLESS OTHERWISE SPECIFIED:  
 DIMENSIONS ARE IN INCHES  
 TOLERANCES:  
 FRACTIONAL ±0.030  
 ANGULAR: MACH ± 1° BEND ±  
 TWO PLACE DECIMAL ±.010  
 THREE PLACE DECIMAL ±.005



TITLE: XL 10.0 SYSTEM

SIZE	DWG. TOP.	REV
A	10.0 Complete + Conveyors	-



UNLESS OTHERWISE SPECIFIED:  
 DIMENSIONS ARE IN INCHES  
 TOLERANCES:  
 FRACTIONAL ±0.030  
 ANGULAR: MACH ± 1° BEND ±  
 TWO PLACE DECIMAL ±.010  
 THREE PLACE DECIMAL ±.005



TITLE: XL 10.0 SYSTEM

SIZE	DWG. SIDE.	REV
A	10.0 Complete + Conveyors	-