

PHOTONTEK

HORTICULTURAL LIGHTING

P-TEK VF 90W LED

MANUAL

ENGLISH • SPANISH • FRENCH



3 YEAR WARRANTY

P-TEK VF 90W LED

MANUAL

• ENGLISH

TABLE OF CONTENTS

1. INTRODUCTION

2. PRODUCT DESCRIPTION

3. PRODUCT INFORMATION AND SPECIFICATIONS

- 3.1 General product information
- 3.2 Technical Specifications
- 3.3 Fixture Dimensions
- 3.4 Spectral Quantum Distribution Graph
- 3.5 Light distribution curve
- 3.6 Environment
- 3.7 Legal

4. SAFETY RECOMMENDATIONS AND WARNINGS

5. CONTENTS

6. INSTALLATION

- 6.1 Fixture assembly & installation
- 6.2 Connect & disconnect the LED driver
- 6.3 Switching & connecting the manual dimmer or external lighting controller & adjusting light intensity (dimming)
- 6.4 Connecting & Powering multiple fixtures in series
- 6.5 Connecting the LED fixture to the mains

7. INSPECTION, MAINTENANCE AND REPAIR

8. STORAGE AND DISPOSAL

9. WARRANTY

1. INTRODUCTION

Thank you for purchasing the Photontek VF 90W LED Fixture. This manual describes how to install and use the LED fixture; please read this manual thoroughly before attempting to install or operate any Photontek LED system. If you are not comfortable with the installation of high performance lighting systems, you should seek the services of a qualified installation professional.

2. PRODUCT DESCRIPTION

The Photontek VF 90W is an electronic horticultural LED fixture using a linear strip design with an intelligent remote LED driver making the fixture externally controllable & dimmable. The VF 90W is a high performance grow light with ideal spectral and PPF output for the propagation of seedlings, cuttings and clones and all low PPF target crops. The VF 90W utilizes three 30 W LED light bars with 4000 K White and 3000 K Warm White top bin diodes producing 244 $\mu\text{mol/s}$ PPF and 2.4 $\mu\text{mol/J}$ efficacy. The fixture is versatile and at 47.5 x 20.5 x 0.8 [in] (1207 x 521 x 20.5 [mm]) it can be fixed to racking for vertical farming applications or hung in other indoor growing environments. The fixture requires a VF 650W Driver (sold separately) which can be positioned remotely for greater flexibility and can power up to seven VF 90W LED fixtures simultaneously. In this manual the Photontek VF 90W will be referred to as: "the LED fixture".

3. PRODUCT INFORMATION AND SPECIFICATIONS

3.1 General Product Information

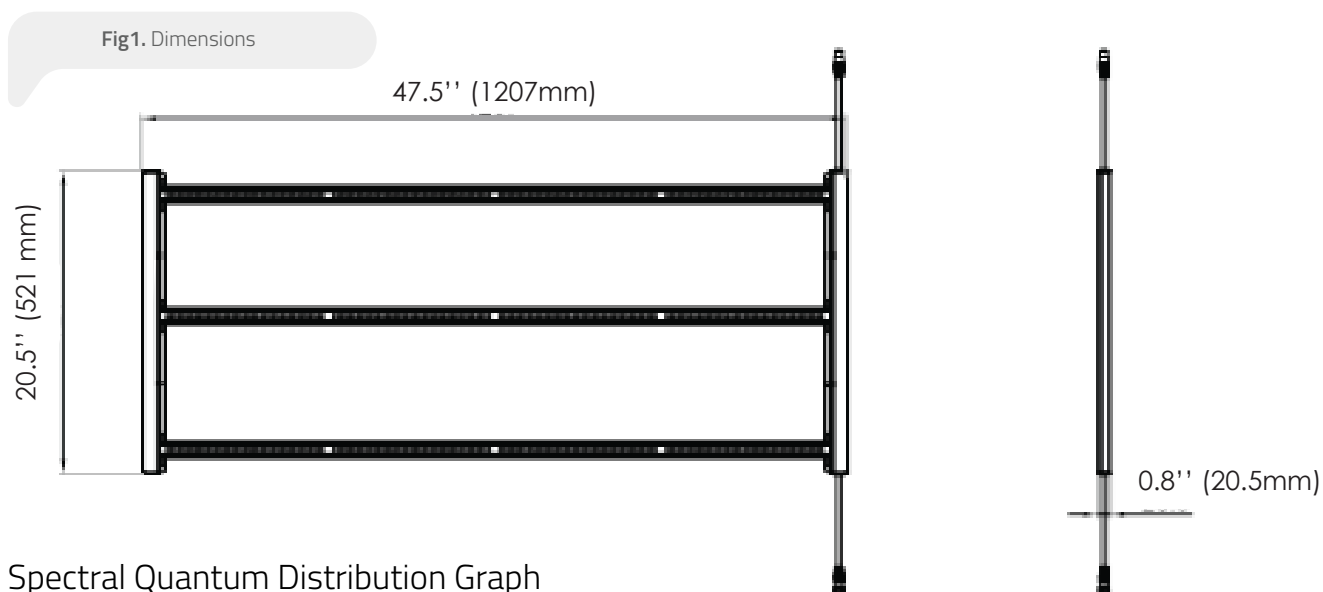
PRODUCT NAME	VF 90W
MANUFACTURER	PhotonTek Horticultural Lighting
PRODUCT CODE	PTEKLED033
EAN	5060560032250
PLUG TYPE	NEMA 5-15P – 120 V NEMA 6-15P – 240 V

3.2 Technical Specifications

PARAMETER	VALUE	PARAMETER	VALUE
PPF	244 $\mu\text{mol/s}$	LIFE SPAN	L90 > 60 000H
EFFICACY	2.4 $\mu\text{mol/J}$	WORKING TEMPERATURE	-4° F – 104° F (-20° C – +40° C)
SPECTRUM	Full Spectrum	WORKING HUMIDITY	20% - 90%
LIGHT SOURCE	High spec White & Warm White LED	WATERPROOF/ DUSTPROOF	IP65
DIMENSIONS	47.5 x 20.5 x 0.8 [in] (1207 x 521 x 20.5 [mm])	BEAM ANGLE	120°
WEIGHT	3.80 Lbs (1.72 Kg)	MANUAL DIM/EXTERNAL LIGHTING CONTROLLER	0-10V signal protocol

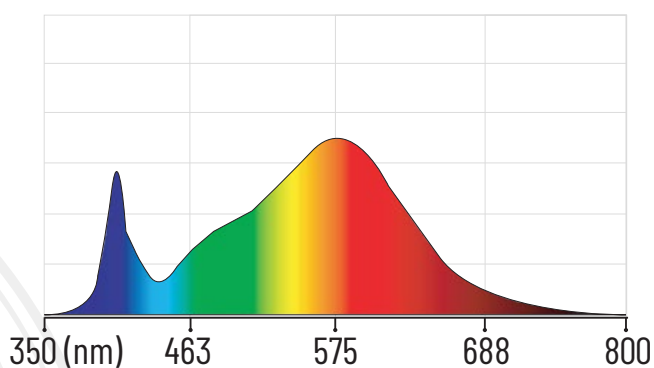
	1 FIXTURE	7 FIXTURES
INPUT VOLTAGE	120-277 V AC 50/60 Hz	120-277 V AC 50/60 Hz
INPUT POWER @ 120 V AC (100%)	103 W (+-5%)	680 W (+-20 W)
INPUT CURRENT @ 120 V AC	0.94 A	6.5 A

3.3 Fixture Dimensions



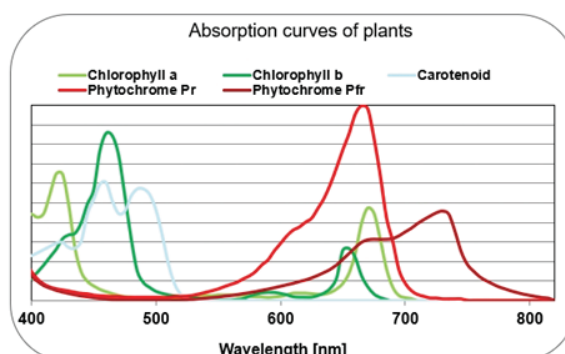
3.4 Spectral Quantum Distribution Graph

The VF fixtures use high spec highly efficient top bin White 4000 K & Warm White (3000 K) LEDs to create a balanced full spectrum of quality light ideal for photosynthesis.



SQD GRAPH

WL (nm)



3.5 Light distribution curve

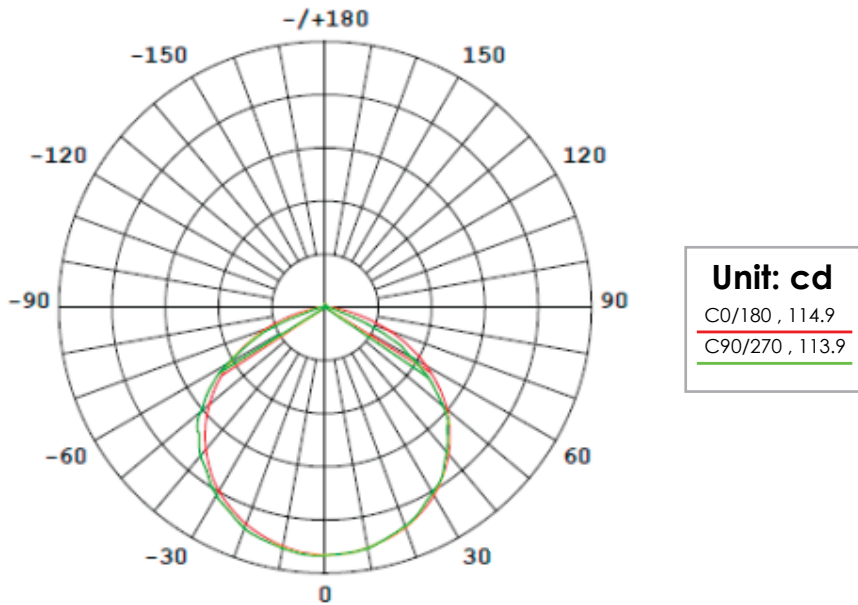


Fig3. Light distribution plot.

3.6 Environment

The LED fixture is intended to be used in climate-controlled grow rooms and indoor farms. The product may be used in damp environments but may not be used in wet environments or outdoors.

The product will operate in ambient temperatures from 14° F to 104° F (-10° C to 40° C) but will function at optimal level between 68° F to 86° F (20° C to 30° C).

The product will operate in 20% – 90% humidity, non-condensing.

3.7 Legal

This product is designed with precision and quality in mind, our product complies seamlessly with industry standards, guaranteeing a user experience that meets and exceeds the expected norms.

4. SAFETY RECOMMENDATIONS AND WARNINGS

WARNING! Carefully read the warnings below before using or working with the product!

- Always adhere to the local rules and regulations when installing or using the LED fixture.
- Do not open or disassemble the LED fixture as it contains no serviceable parts inside. Opening or modifying the LED fixture can be dangerous and will void the warranty.
- Do not use the LED fixture when either the LED fixture or its power cord are damaged. Replace the power cord with correctly rated cord only.
- Modifications to the cabling can lead to unwanted electromagnetic effects which may make the product not comply with legal requirements.
- Do not expose the LED fixture to:
Condensing humidity, heavy mist or direct spray;
Ambient temperatures outside the specified range;
Dust and contamination;
Direct sunlight during use or HID light that may heat up the driver.
- Always disconnect the LED fixture from mains before performing any maintenance.
- Always allow for a cool down period of at least 20-30 minutes before touching the LED light bars. Touching the LED bars when the fixture is lit or immediately after may result in burns!
- Natural convection removes heat away from the heatsink. In order for the system too properly cool itself, at least 2 in. (5 cm) of space is required between the fixture and the roof of your grow area.

- Do not use abrasive materials or aggressive cleaning agents to clean the LED fixture as this may damage the optics. Instead use a clean damp fabric/cloth.
- Do not use the LED fixture near flammable, explosive or reactive substances. The LED fixture can reach temperatures of 104° F (40° C).
- Do not use sulphur vaporizers or water misters.
- The installation and use of the LED fixture is the responsibility of the end user. Incorrect use or installation can lead to failure and damage to the LED fixture. Damage to the LED fixture and electronic circuitry as a result of incorrect installation and use revokes the warranty.

5. CONTENTS

- 1 X VF 90W

1X USER MANUAL



Fig4. Fixture components

6. INSTALLATION

WARNING! Mounting and installing the LED fixture must be in accordance with the applicable local laws and regulations.

WARNING! The installer is responsible for correct and safe installation.

WARNING! Ensure the local cabling can support the voltage and current requirements of the LED fixture.

WARNING! Avoid coiled cords and keep mains leads separated to help prevent electromagnetic interference.

WARNING! Do not connect or disconnect the LED fixture under load.

6.1 Fixture assembly & installation

WARNING! Mount the system to something that can hold the weight of the LED fixture.

The fixture has fixing holes in each frame end and can be attached directly to vertical farm racking or hung with light hangers. Secure the fixture in required position and height. For optimal performance; position fixture horizontally at 6 in. – 16 in. (15 cm – 40 cm) from plants.

6.2 Fixture assembly & installation

Position the VF 650W Driver (sold separately) appropriately ensuring it is not in direct Sun or HID light so as to avoid overheating and not directly on the floor where it might contact water or nutrients.

The VF 650W Driver is shipped with a 13 ft. (4 m) power supply cable, a 5 ft. (1.5 m) power output cable to connect to the fixture (16.5 ft. [5 m] extension cable is available to purchase separately) and a 10 in. (25 cm) dimming control cable to connect dimmer box/controller to the driver.

To connect the LED driver to the fixture;

Correctly align the driver power OUTPUT cable connector with the driver output socket and push together until click-locked.

Connect other end of driver Output cable to the Fixture Input cable.

To disconnect; turn twist-lock connector anti-clockwise to unlock and pull apart.

6.3 Switching & connecting the manual dimmer or external lighting controller & adjusting light intensity (dimming)

If there is no dimmer box or controller connected to the driver; the LED fixture will switch ON at 100% power when mains power is switched on.

The fixture can be switched ON/OFF using a 0-10 V signal dimmer box or lighting controller.

The LED fixture's light intensity can be adjusted without changing spectrum or losing efficiency. This means that PPF can be adjusted to the correct level for growth cycles.

The LED driver can be connected to a 0-10 V manual dimming controller or a Photontek Digital Controller/universal lighting controller (all sold separately) for switching and dimming control.

Connect the dimmer box or lighting controller to the driver using the dimming controller cable supplied.

Ensure connectors are correctly aligned and then push together until click-locked. To release: turn twist-lock anti-clockwise and pull apart.

Light intensity (PPF level) can be adjusted between 20% - 100% light output.~

6.4 Connecting & Powering multiple fixtures in series

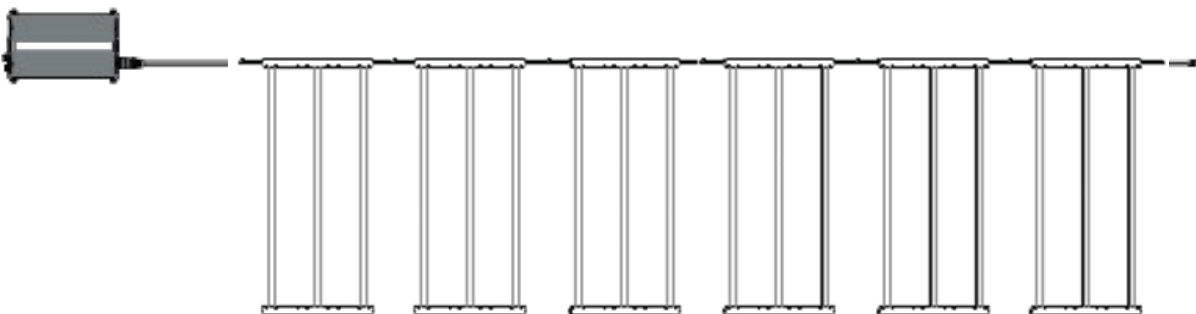
The VF 650W Driver can be used to power up to seven VF 90W fixtures simultaneously. Each fixture has a power input cable (male connector) and a power output cable (female connector).

The LED driver power output cable is connected to Fixture 1 power input cable.

Fixture 1 power output cable is connected to Fixture 2 power input cable.

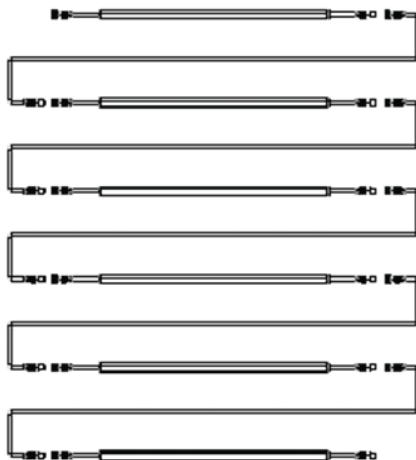
Fixture 2 power output cable is connected to Fixture 3 power input cable and so on until all seven fixtures are connected.

Example of horizontal connection plan:



For alternative light plans and greater flexibility, extension connecting cables are available to purchase separately.

Example of vertical connection plan with extension connecting cables:



6.5 Connecting the LED fixture to the mains

WARNING! Make sure mains power is switched off.

WARNING! Ensure the power supply cable is not coiled and does not touch any hot surfaces.

WARNING! Connect the cabling according to local rules, safety regulations and electrical code.

WARNING! If not using an external lighting controller ensure external switching gear can cope with the inrush current of the LED fixture. Always use a timer contactor suitable for switching a capacitive load. Never use household timers to switch the LED fixture!

WARNING! Do not connect or disconnect the LED fixture under load.

- Ensure the LED driver power supply cable self-locking female connector is correctly aligned to the corresponding male connector on driver and push together until click-locked. To disconnect; turn twist-lock connector anti-clockwise to unlock and pull apart from driver.
- Connect mains power plug to switching gear/power supply.
- Switch on mains power.

7. INSPECTION, MAINTENANCE AND REPAIR

WARNING! Disconnect the LED fixture from mains before performing any maintenance or repairs.

WARNING! Do not connect or disconnect the LED fixture under load

WARNING! Do not open or disassemble the LED fixture, it contains no serviceable parts inside. Opening the LED fixture can be dangerous and will void the warranty.

WARNING! Always wait 20 – 30 minutes for the LED light bars to cool down.

CAUTION! Do not clean the LED fixture with detergents, abrasives or other aggressive substances.

- Regularly check the LED fixture for dust or dirt build up. Clean if necessary. Contamination may cause overheating and decreased performance.
- Clean the outside of the LED fixture using a dry or damp cloth.
- Regularly check the cords of the LED fixture to ensure it is undamaged.

8. STORAGE AND DISPOSAL

Store the LED fixture in a dry and clean environment, with an ambient temperature of -13 °F to 131 °F (-25° C to 55° C). The product must not be discarded as unsorted municipal waste but must be collected separately for the purpose of treatment, recovery and environmentally sound disposal.

9. WARRANTY

Photontek warrants the mechanical and electronic components of their product to be free of defects in material and workmanship if used under normal operating conditions for a period of three (3) years from the original date of purchase. If the product shows any defects within this period and that defect is not due to user error or improper use Photontek shall, at its discretion, either replace or repair the product using suitable new or reconditioned products or parts. In case Photontek decides to replace the entire product, this limited warranty shall apply to the replacement product for the remaining initial warranty period, i.e. three (3) years from the date of purchase of the original product. For service; return the product to your shop with the original sales receipt.

info@photontek-lighting.com
<https://photontek-lighting.com>



PHOTONTEK
HORTICULTURAL LIGHTING

P-TEK VF 90W LED

MANUAL

• ESPAÑOL

TABLA DE CONTENIDO

- 1. INTRODUCCIÓN**
- 2. DESCRIPCIÓN DEL PRODUCTO**
- 3. INFORMACIÓN Y ESPECIFICACIONES DEL PRODUCTO**
 - 3.1 Información general del producto
 - 3.2 Especificaciones técnicas
 - 3.3 Dimensiones de la luminaria
 - 3.4 Gráfico de distribución cuántica espectral
 - 3.5 Curva de distribución luminosa
 - 3.6 Medio Ambiente
 - 3.7 Legal
- 4. RECOMENDACIONES DE SEGURIDAD Y ADVERTENCIAS**
- 5. CONTENIDO**
- 6. INSTALACIÓN**
 - 6.1 Montaje e instalación de la luminaria
 - 6.2 Conexión y desconexión del driver LED
 - 6.3 Conectar el regulador manual o el controlador de iluminación externo y ajustar la intensidad de la luz (regulación)
 - 6.4 Conexión de las luminarias en serie para el control externo
 - 6.5 Conexión de la luminaria LED a la red eléctrica
- 7. INSPECCIÓN, MANTENIMIENTO Y REPARACIÓN.**
- 8. ALMACENAMIENTO Y ELIMINACIÓN**
- 9. GARANTÍA**

1. INTRODUCCIÓN

Gracias por adquirir la luminaria LED Photontek VF 90W. Este manual describe cómo instalar y utilizar la luminaria LED; por favor, lea este manual detenidamente antes de intentar instalar o utilizar cualquier sistema LED Photontek. Si no se siente cómodo con la instalación de sistemas de iluminación de alto rendimiento, debe buscar los servicios de un profesional de instalación calificado.

2. DESCRIPCIÓN DEL PRODUCTO

La luminaria LED VF 90W de Photontek es una luminaria LED hortícola electrónica que utiliza un diseño de tira lineal con un controlador LED remoto inteligente que hace que la luminaria sea controlable y regulable externamente. La lámpara LED VF 90W es una luz de crecimiento de alto rendimiento con una salida espectral y PPF ideal para la propagación de plántulas, esquejes y clones y todos los cultivos objetivo de baja PPF.

La lámpara LED VF 90W utiliza tres barras de luz LED de 30W con diodos de color blanco de 4000 K y blanco cálido de 3000 K que producen una PPF de 244 $\mu\text{mol/s}$ y una eficacia de 2,4 $\mu\text{mol/J}$. La luminaria es versátil y, con sus 47.5 x 20.5 x 0.8 [in] (1207 x 521 x 20.5 [mm]), puede fijarse en estanterías para aplicaciones de cultivo vertical o colgarse en otros entornos de cultivo interior.

La luminaria requiere un controlador LED VF de 650W (se vende por separado) que puede colocarse a distancia para una mayor flexibilidad y puede alimentar hasta siete luminarias LED VF 90W simultáneamente.

En este manual se hará referencia a la luminaria Photontek VF 90W LED como: "la luminaria LED".

3. INFORMACIÓN Y ESPECIFICACIONES DEL PRODUCTO

3.1 Información General del Producto

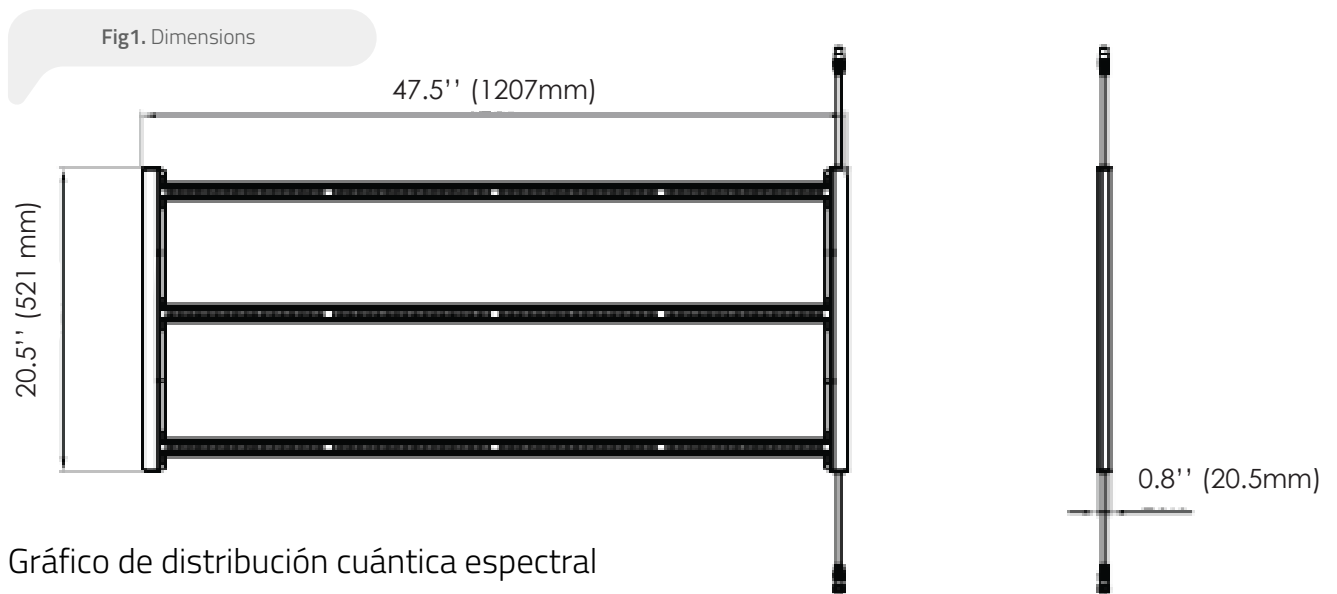
NOMBRE DEL PRODUCTO	VF 90W
FABRICANTE	PhotonTek Horticultural Lighting
CÓDIGO DE PRODUCTO	PTEKLED033
EAN	5060560032250
TIPO DE ENCHUFE	NEMA 5-15P – 120 V NEMA 6-15P – 240 V

3.2 Especificaciones Técnicas

PARÁMETRO	VALOR	PARÁMETRO	VALOR
PPF	244 $\mu\text{mol/s}$	ESPERANZA DE VIDA	L90 > 60 000H
EFICACIA	2.4 $\mu\text{mol/J}$	TEMPERATURA DE FUNCIONAMIENTO	-4° F – 104° F (-20° C-- +40° C)
ESPECTRO	Espectro Completo	HUMEDAD DE TRABAJO	20% - 90%
FUENTE DE LUZ	High spec White & Warm White LED	ÁNGULO DE HAZ	120°
DIMENSIONES	47.5 x 20.5 x 0.8 [in] (1207 x 521 x 20.5 [mm])	IMPERMEABLE / A PRUEBA DE POLVO	IP65
PESO	3.80 Lbs (1.72 Kg)	ATENUADOR MANUAL / CONTROLADOR DE ILUMINACIÓN EXTERNA	0-10V Protocolo de señal

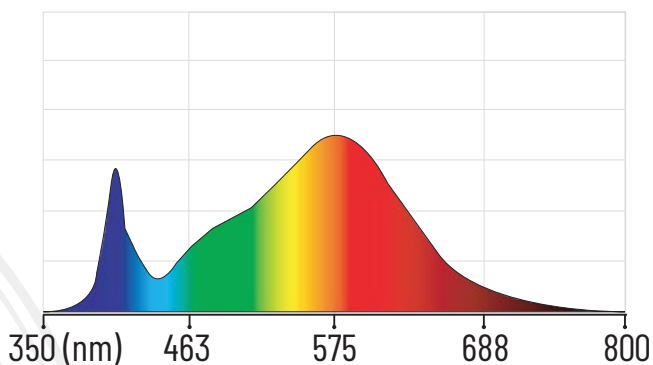
	1 ACCESORIO	7 ACCESORIOS
VOLTAJE DE ENTRADA	120-277 V AC 50/60 Hz	120-277 V AC 50/60 Hz
POTENCIA DE ENTRADA @ 120 V AC (100%)	103 W (+-5%)	680 W (+-20 W)
CORRIENTE DE ENTRADA @ 120 V AC	0.94 A	6.5 A

3.3 Dimensiones del accesorio



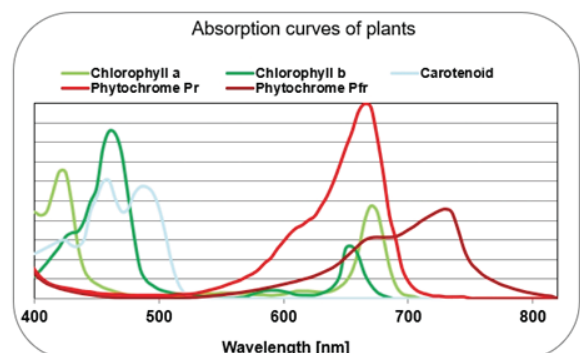
3.4 Gráfico de distribución cuántica espectral

Las luminarias VF utilizan LEDs de alta especificación y alta eficiencia de color blanco 4000 K y blanco cálido (3000 K) para crear un espectro completo y equilibrado de luz de calidad ideal para la fotosíntesis.



SQD GRAPH

WL (nm)



3.5 Curva de Distribución de Luz

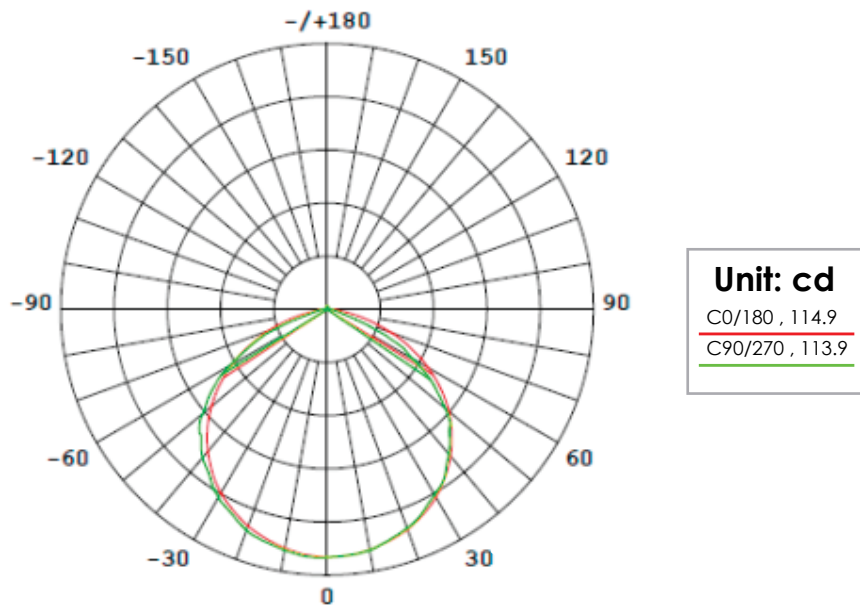


Fig3. Parcela de distribución de luz.

3.6 Medio Ambiente

La luminaria LED está diseñado para ser utilizado en salas de cultivo con clima controlado, granjas interiores e invernaderos. El producto puede usarse en ambientes húmedos, pero no en ambientes mojados o al aire libre.

El producto funcionará a temperaturas ambiente de 14° F to 104° F (-10° C to 40° C) , pero funcionará a un nivel óptimo entre 68° F Y 86° F (20° C Y 30° C).

El producto funcionará en 20% - 90% de humedad, sin condensación.

3.7 Legal

Este producto está diseñado teniendo en cuenta la precisión y la calidad, nuestro producto cumple perfectamente con los estándares de la industria, garantizando una experiencia de usuario que cumple y supera las normas esperadas.

4. RECOMENDACIONES DE SEGURIDAD Y ADVERTENCIAS

¡ADVERTENCIA!

Por favor lea atentamente las siguientes advertencias antes de usar o trabajar con el producto!

- Siempre siga las reglas y regulaciones locales al instalar o usar la luminaria LED.
- No abra ni desmonte la luminaria LED, ya que no contiene piezas reparables en su interior. El abrir o modificar la luminaria LED puede ser peligroso y anulará la garantía.
- No utilice la luminaria LED cuando la luminaria LED o su cable de alimentación estén dañados. Reemplace el cable de alimentación solo con un cable con clasificación correcta.
- Las modificaciones en los cables puede dar lugar a efectos electromagnéticos no deseados, lo que hace que el producto no cumpla con los requisitos legales.
- No exponga el dispositivo LED a:
Humedad condensada, neblina intensa, neblina o rociado directo;
Temperaturas ambiente fuera del rango especificado;
Polvo y contaminación;
Luz solar directa durante el uso o luz HID que podría calentar el balasto.
- Siempre desconecte el dispositivo de la red eléctrica antes de realizar cualquier mantenimiento.
- Siempre permita un período de enfriamiento de al menos 20-30 minutos antes de tocar las barras de luz LED. ¡El tocar las barras LED cuando el dispositivo está encendido o inmediatamente después puede provocar quemaduras!

- La convección natural elimina el calor del disipador térmico. Para que el sistema pueda enfriarse bien, se requiere al menos 2 in. (5 cm) de espacio entre la luminaria y el techo de su área de cultivo.
- Por favor no utilice materiales abrasivos o agentes de limpieza agresivos para limpiar la luminaria LED, ya que esto puede dañar la óptica secundaria. En su lugar, use un paño limpio y húmedo.
- No utilice el dispositivo cerca de sustancias inflamables, explosivas o reactivas. La luminaria LED puede alcanzar temperaturas de 104° F (40° C).
- No use vaporizadores de azufre o agua pulverizada.
- La instalación y el uso del dispositivo son responsabilidad del usuario final. El uso o una instalación incorrecta pueden provocar fallas y daños en la luminaria LED. El daño a la luminaria LED y a los circuitos electrónicos como resultado de una instalación y uso incorrecto revocará la garantía.

5. CONTENIDO

• 1 X VF 90W

1X USER MANUAL



Fig4. Componentes del accesorio.

6. INSTALACIÓN

- ¡ADVERTENCIA!** El montaje e instalación de la luminaria LED debe realizarse de acuerdo con las leyes y regulaciones locales aplicables.
- ¡ADVERTENCIA!** El instalador tiene la responsabilidad de una instalación correcta y segura.
- ¡ADVERTENCIA!** Por favor asegúrese que el cableado local pueda soportar los requisitos de voltaje y corriente del dispositivo.
- ¡ADVERTENCIA!** Evite los cables en espiral y mantenga los cables de alimentación separados para ayudar a evitar interferencias electromagnéticas.
- ¡ADVERTENCIA!** No conecte ni desconecte el dispositivo LED bajo carga.

6.1 Montaje e instalación de accesorios

¡ADVERTENCIA! Monte el sistema en algo que pueda soportar el peso de la luminaria LED.

La luminaria tiene agujeros de fijación en cada extremo del marco y puede ser fijada directamente a estanterías verticales de la granja o colgada con perchas de luz. Fije la luminaria en la posición y altura requeridas.

Para un rendimiento óptimo, coloque la luminaria en posición horizontal a una distancia de entre 6 in. – 16 in. (15 cm – 40 cm) de las plantas.

6.2 Conectar y desconectar el driver LED

Coloque el controlador LED (vendido por separado) de forma adecuada, asegurándose de que no esté en contacto directo con el sol o la luz HID para evitar el sobrecalentamiento, y no directamente en el suelo donde podría entrar en contacto con el agua o los nutrientes.

El controlador LED se envía con un cable de alimentación de 13 ft. (4 m), un cable de salida de energía de 5 ft. (1.5 m) para conectar a la luminaria (hay un cable de extensión de 16.5 ft. [5 m] disponible para comprar por separado) y un cable de control de regulación de 10 in. (25 cm) para conectar la caja de regulación/controlador al controlador.

Para conectar el driver LED a la luminaria;

Alinee correctamente el conector del cable de salida del driver con la toma de salida del driver y empújelo hasta que encaje.

Conecte el otro extremo del cable de salida del driver al cable de entrada de la luminaria.

Para desconectar el cable, gire el conector en sentido contrario a las agujas del reloj para desbloquearlo y separarlo.

6.3 Conmutación y conexión del regulador manual o del controlador de iluminación externo & ajuste de la intensidad de la luz (regulación)

Si no hay una caja de regulación o un controlador conectado al controlador, la luminaria LED se encenderá al 100% de potencia cuando se conecte a la red eléctrica.

La luminaria puede ser encendida/apagada utilizando una caja de regulación de señal 0-10V o un controlador de iluminación.

La intensidad de la luz de la luminaria LED puede ajustarse sin cambiar el espectro ni perder eficiencia. Esto significa que la PPF puede ajustarse al nivel correcto para los ciclos de crecimiento.

El driver LED puede conectarse a un controlador de regulación manual de 0-10V o a un panel de control Lumatek Plus/ controlador de iluminación universal (todos se venden por separado) para la conmutación y el control de la regulación.

Conecte la caja de regulación o el controlador de iluminación al driver utilizando el cable del controlador de regulación suministrado.

Asegúrese de que los conectores están correctamente alineados y empújelos hasta que se bloqueen con un clic. Para soltarlos, gire el cierre en sentido contrario a las agujas del reloj y sepárelos.

La intensidad de la luz (nivel PPF) puede ajustarse entre el 20% y el 100% de la salida de luz.

6.4 Conexión y alimentación de varias luminarias en serie

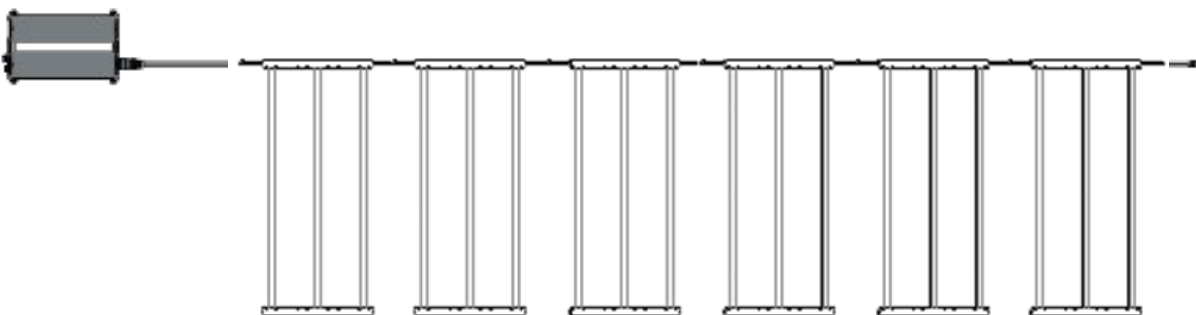
El driver LED VF 650W puede utilizarse para alimentar hasta cinco luminarias VF 120W simultáneamente. Cada aparato tiene un cable de entrada de energía (conector macho) y un cable de salida de energía (conector hembra).

El cable de salida de energía del controlador LED se conecta al cable de entrada de energía de la luminaria 1.

El cable de salida de energía de la luminaria 1 se conecta al cable de entrada de energía de la luminaria 2.

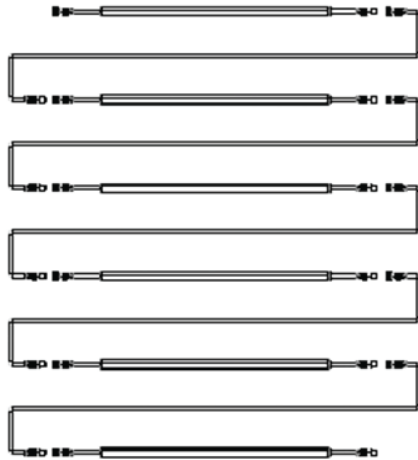
El cable de salida de alimentación de la luminaria 2 se conecta al cable de entrada de alimentación de la luminaria 3 y así sucesivamente hasta que se conecten las cinco luminarias.

Ejemplo de plan de conexión horizontal:



Para planes de iluminación alternativos y una mayor flexibilidad, los cables de conexión de extensión están disponibles para comprar por separado.

Ejemplo de plan de conexión vertical con cables de conexión de extensión:



6.5 Conexión de la Luminaria LED a la Red Eléctrica

¡ADVERTENCIA! Por favor asegúrese que la red eléctrica esté apagada.

¡ADVERTENCIA! Asegúrese que el cable de alimentación no esté enrollado y no toque ninguna superficie caliente.

¡ADVERTENCIA! Conecte los cables de acuerdo con las normas locales, las regulaciones de seguridad y el código eléctrico.

¡ADVERTENCIA! Si no utiliza un controlador de iluminación externo, asegúrese que el equipo de conmutación externo pueda hacer frente a la corriente de entrada de la luminaria LED. Utilice siempre un contactor temporizador adecuado para cambiar una carga capacitiva. ¡Nunca use temporizadores domésticos para cambiar la luminaria LED!

¡ADVERTENCIA! No conecte ni desconecte el dispositivo LED bajo carga.

- Asegúrese que el conector hembra del cable de alimentación del conductor del LED esté alineado correctamente con el conector macho correspondiente del conductor y presione junto hasta que se bloquee con el clic.
- Para desconectar, gire el conector hembra en sentido contrario a las agujas del reloj para desbloquear y separar del conductor.
- Conecte el enchufe de alimentación de la red a cambio de engranaje/fuente de alimentación
- Encienda la alimentación de red.

7. INSPECCIÓN, MANTENIMIENTO Y REPARACIÓN.

¡ADVERTENCIA! Siempre desconecte la luminaria LED de la red eléctrica antes de realizar cualquier mantenimiento.

¡ADVERTENCIA! No conecte ni desconecte el dispositivo LED bajo carga.

¡ADVERTENCIA! No abra ni desmonte la luminaria LED, ya que no contiene piezas reparables en su interior. El abrir o modificar la luminaria LED puede ser peligroso y anulará la garantía.

¡ADVERTENCIA! Siempre espere de 20 a 30 minutos para que las barras de luz LED se enfríen.

¡ADVERTENCIA! No limpie el dispositivo con detergentes, abrasivos u otras sustancias agresivas.

- Revise regularmente el dispositivo para detectar la presencia de polvo o suciedad acumulada. Límpielo de ser necesario. La contaminación puede causar sobrecalentamiento y disminución del rendimiento.
- Limpie el exterior de la lámpara LED con un paño seco o húmedo.
- Compruebe regularmente el cableado de la luminaria LED para asegurarse que no esté dañado.

8. ALMACENAMIENTO Y ELIMINACIÓN

Guarde la lámpara LED en un ambiente seco y limpio, con una temperatura ambiente de -13 °F a 131 °F (-25° C a 55° C). El producto no debe desecharse como residuo municipal sin clasificar, sino que debe recogerse por separado para su tratamiento, recuperación y eliminación ambientalmente racional.

9. GARANTÍA

PhotonTek garantiza que los componentes mecánicos y electrónicos de su producto se encuentran libres de defectos de material y mano de obra si se usan en condiciones normales de funcionamiento durante un período de tres (3) años a partir de la fecha original de compra. Si el producto muestra algún defecto dentro de este período y ese defecto no se debe a un error del usuario o uso indebido, PhotonTek deberá, a su discreción, reemplazar o reparar el producto con productos o piezas nuevas o reacondicionadas. En caso de que PhotonTek decida reemplazar el producto completo, esta garantía limitada se aplicará al producto de reemplazo por el período de garantía inicial restante, es decir, tres (3) años a partir de la fecha de compra del producto original. Para ser atendido, devuelva la luminaria a su tienda con el recibo de compra original.

info@photontek-lighting.com
<https://photontek-lighting.com>



PHOTONTEK
HORTICULTURAL LIGHTING

P-TEK VF 90W LED

MANUEL

• FRANÇAIS

TABLE DES MATIÈRES

1. INTRODUCCIÓN

2. DESCRIPTION DU PRODUIT

3. INFORMATIONS ET SPÉCIFICATIONS SUR LE PRODUIT

3.1 Informations générales sur le produit

3.2 Spécifications techniques

3.3 Dimensions du luminaire

3.4 Graphique de distribution quantique spectrale

3.5 Courbe de distribution de la lumière

3.6 Environnement

3.7 Informations légales

4. RECOMMANDATIONS ET AVERTISSEMENTS DE SÉCURITÉ

5. CONTENU

6. INSTALLATION

6.1 Montage et installation du luminaire

6.2 Connecter et déconnecter le transformateur LED

6.3 Allumer et connecter le variateur manuel ou le contrôleur d'éclairage externe et régler l'intensité lumineuse (variation)

6.4 Connexion de plusieurs luminaires en série pour le contrôle externe

6.5 Raccordement du luminaire à LED au secteur

7. INSPECTION, MAINTENANCE ET RÉPARATION

8. STOCKAGE ET DISPOSITION

9. GARANTIE

1. INTRODUCTION

Nous vous remercions d'avoir acheté le luminaire à LED VF 90W de Photontek. Ce manuel décrit la façon d'installer et d'utiliser le luminaire LED. Veuillez lire attentivement ce manuel avant d'essayer d'installer ou d'utiliser tout système LED Photontek. Si vous n'êtes pas à l'aise avec l'installation de systèmes d'éclairage à haute performance, vous devriez faire appel aux services d'un professionnel de l'installation qualifié.

2. DESCRIPTION DU PRODUIT

Le luminaire à LED VF 90W de Photontek est un luminaire électronique pour l'horticulture qui utilise un design de bande linéaire avec un transformateur LED à distance intelligent rendant le luminaire contrôlable et variable de l'extérieur. Le luminaire à LED VF 90W est une lampe de culture de haute performance avec une sortie spectrale et PPF idéale pour la propagation des semis, des boutures et des clones et toutes les cultures cibles à faible PPF.

Le luminaire à LED VF 90W utilise trois barres lumineuses à LED de 30W avec des diodes blanches 4000 K et blanches chaudes 3000 K produisant 244 $\mu\text{mol/s}$ PPF et 2,4 $\mu\text{mol/J}$ d'efficacité. Le luminaire est polyvalent et, avec ses dimensions de 47.5 x 20.5 x 0.8 [in] (1207 x 521 x 20.5 [mm]), il peut être fixé à un rayonnement pour des applications d'agriculture verticale ou suspendu dans d'autres environnements de culture intérieure.

Le luminaire nécessite un transformateur LED VF 650W (vendu séparément) qui peut être positionné à distance pour une plus grande flexibilité et peut alimenter jusqu'à sept luminaires LED VF 90W simultanément.

Dans ce manuel, le luminaire à LED Photontek VF 90W sera désigné par : "le luminaire à LED".

3. INFORMATIONS ET SPÉCIFICATIONS SUR LE PRODUIT

3.1 Informations Générales sur le Produit

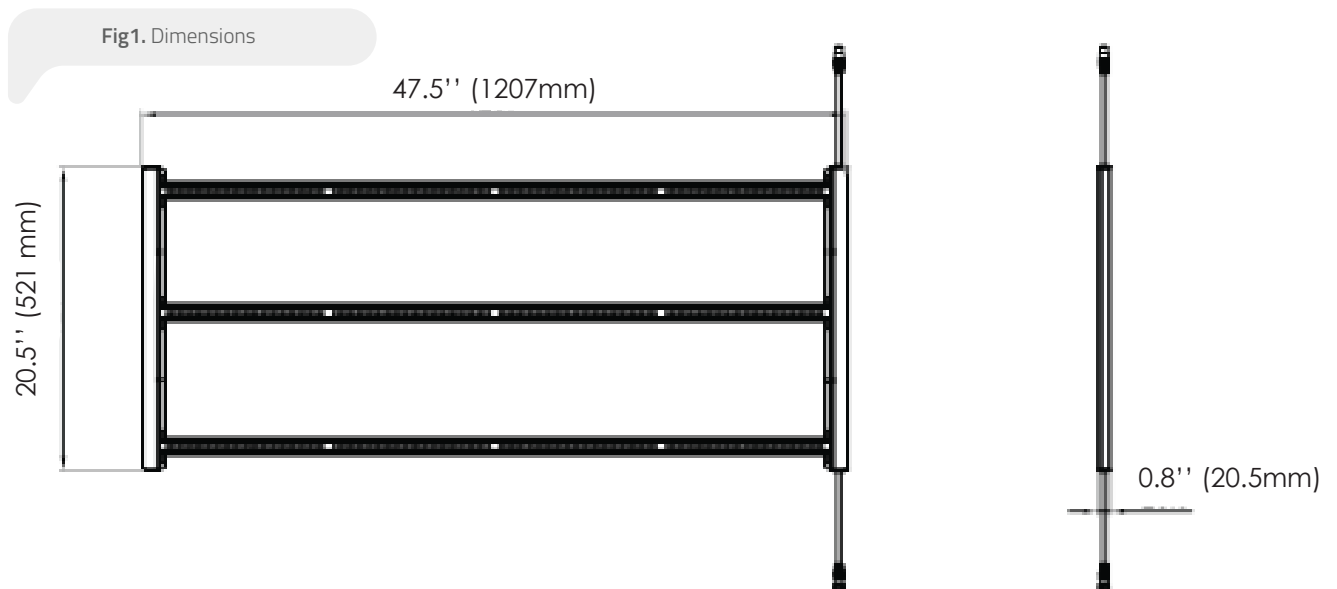
NOM DU PRODUIT	VF 90W
FABRICANT	PhotonTek Horticultural Lighting
CODE PRODUIT	PTEKLEDO33
EAN	5060560032250
TYPE DE PRISE	NEMA 5-15P – 120 V NEMA 6-15P – 240 V

3.2 Spécifications Techniques

PARAMÈTRE	VALEUR	PARAMÈTRE	VALEUR
PPF	244 $\mu\text{mol/s}$	POIDS	3.80 Lbs (1.72 Kg)
EFFICACITÉ	2.4 $\mu\text{mol/J}$	DURÉE DE VIE	L90 > 60 000H
SPECTRE	Spectre Complet	TEMPÉRATURE DE FONCTIONNEMENT	-4° F – 104° F (-20° C -- +40° C)
SOURCE LUMINEUSE	High spec White & Warm White LED	TAUX D'HUMIDITÉ ACCEPTÉ	20% - 90%
RÉSISTANCE À L'EAU/POUSSIÈRE	IP65	ANGLE DE RAYONNEMENT	120°
DIMENSIONS	47.5 x 20.5 x 0.8 [in] (1207 x 521 x 20.5 [mm])	VARIATION MANUELLE/ CONTRÔLEUR DE LAMPE EXTERNE	0-10V Protocole Analogue

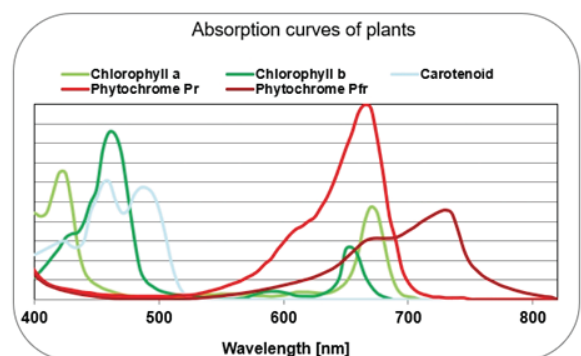
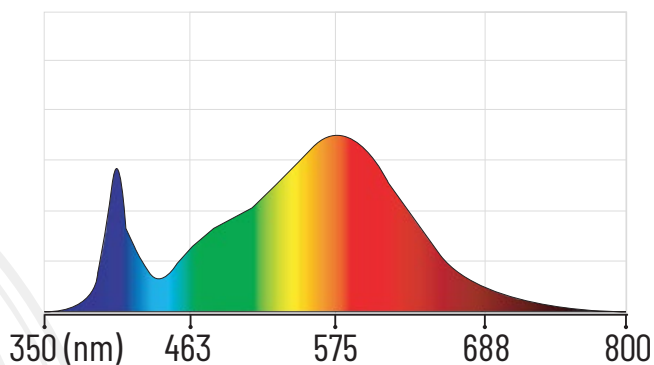
	1 FIXATION	7 FIXATION
TENSION D'ENTRÉE	120-277 V AC 50/60 Hz	120-277 V AC 50/60 Hz
LA PUISSANCE D'ENTRÉE @ 120 V AC (100%)	103 W (+-5%)	680 W (+-20 W)
COURANT D'ENTRÉE @ 120 V AC	0.94 A	6.5 A

3.3 Dimensions du luminaire



3.4 Graphique de distribution quantique spectrale

Les luminaires VF utilisent des LED de haute qualité et très efficaces de couleur blanche 4000K et blanche chaude (3000K) pour créer un spectre complet et équilibré de lumière de qualité idéal pour la photosynthèse. Full Spectrum P a été développé pour la propagation des semis, des boutures et des clones et de toutes les cultures cibles à faible PPFD.



SQD GRAPH

WL (nm)

3.5 Courbe de Distribution Lumineuse

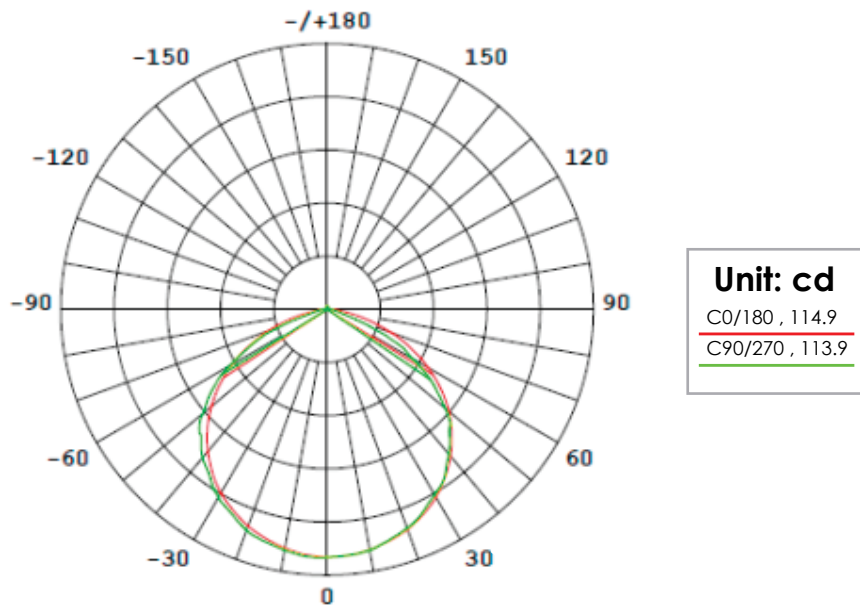


Fig3. Graphique de distribution lumineuse.

3.6 Environnement

La lampe LED doit être utilisée dans un lieu de culture à climat contrôlé et des fermes intérieures. Le produit peut être utilisé dans des lieux humides mais ne doit pas être utilisé dans des lieux mouillés ou à l'extérieur. Ce produit fonctionnera dans des températures se situant entre 14° F et 104° F (-10° C et 40° C) mais fonctionne de façon optimale entre 68° F et 86° F (20° C et 30° C).

Le produit fonctionnera dans un taux d'humidité de 20% à 90%, sans condensation.

3.7 Informations Légales

Ce produit est conçu dans un souci de précision et de qualité, notre produit est parfaitement conforme aux normes de l'industrie, garantissant une expérience utilisateur qui répond et dépasse les normes attendues.

4. RECOMMANDATIONS ET AVERTISSEMENTS DE SÉCURITÉ

AVERTISSEMENT! Veuillez lire attentivement les avertissements ci-dessous avant d'utiliser ou de mettre en marche le produit!

- Référez-vous toujours aux règles et réglementations locales avant d'installer ou d'utiliser cette lampe LED.
- N'ouvrez pas et ne démontez pas la lampe LED car elle contient des pièces non remplaçables à l'intérieur. L'ouverture ou la modification de la lampe LED peut être dangereux et révoquera la garantie.
- N'utilisez pas cette lampe LED si celle-ci ou le câble d'alimentation sont endommagés. Remplacez le câble d'alimentation uniquement par des câbles d'alimentation certifiés.
- Les modifications apportées aux câbles peuvent engendrer des effets électromagnétiques non désirés, qui peuvent rendre le fonctionnement du produit non adéquat aux conditions légales.
- N'exposez pas cette lampe LED à:
De l'humidité condensée, la brume épaisse ou un spray direct;
Des températures ambiantes excédant celles spécifiées;
De la poussière et la pollution;
De la lumière du soleil ou de la lumière HID qui pourraient conduire à la surchauffe du transformateur.
- Déconnectez toujours la lampe LED de l'alimentation avant d'effectuer quelque maintenance.
- Laissez toujours refroidir la lampe LED pendant une durée d'au moins 20-30 minutes avant de toucher les barres lumineuses LED. Toucher les barres lumineuses lorsque celles-ci sont chaudes peut engendrer de sévères brûlures !
- La convection naturelle retire la chaleur du dissipateur. Afin que le système puisse bien se refroidir de façon autonome, un espace de 2 in. (5 cm) minimum est requis entre la lampe et le toit de votre zone de culture.

- N'utilisez pas de matériaux abrasifs ou de produits de nettoyage agressifs pour nettoyer la lampe LED car cela pourrait endommager les optiques secondaires. Utilisez plutôt un tissu / chiffon propre et humide.
- N'utilisez pas de matériaux abrasifs ou de produits de nettoyage agressifs pour nettoyer la lampe LED car cela pourrait endommager les optiques secondaires. Utilisez plutôt un chiffon/tissu propre et sec.
- N'utilisez pas de vaporisateurs de soufre ou de brumisateurs
- L'installation et l'utilisation de la lampe LED est la responsabilité de l'utilisateur final. L'utilisation ou l'installation incorrecte de cette lampe LED peut engendrer sa défaillance ou son endommagement. L'endommagement de la lampe LED et du circuit électronique résultant d'une installation et/ou d'une utilisation incorrecte du produit révoquera sa garantie.

5. CONTENU

- 1 X VF 90W

1X USER MANUEL



Fig4. Composants de la lampe.

6. INSTALLATION

ATTENTION!

Le montage et l'installation de la lampe LED doivent respecter les règles et réglementations locales.

ATTENTION!

L'installateur est responsable de l'installation correcte et sécurisée du produit.

ATTENTION!

Assurez-vous que le câblage puisse supporter la tension et le courant requis par la lampe LED

ATTENTION!

Évitez les câbles enroulés et gardez les câbles électriques séparés afin d'éviter les interférences électromagnétiques.

ATTENTION!

Ne connectez ou déconnectez pas la lampe LED sous tension.

6.1 Montage et installation du luminaire

ATTENTION! Montez le système sur quelque chose qui peut supporter le poids du luminaire LED.

Le luminaire est doté de trous de fixation à chaque extrémité du cadre et peut être fixé directement aux rayonnages agricoles verticaux ou suspendu à l'aide de suspensions légères.

Fixez l'appareil dans la position et à la hauteur requises.

Pour une performance optimale, placez le luminaire horizontalement à une distance de 6 in. – 16 in. (15 cm – 40 cm) des plantes.

6.2 Connecter et déconnecter le transformateur LED

Placez le transformateur LED (vendu séparément) de manière appropriée en veillant à ce qu'il ne soit pas directement exposé au soleil ou à la lumière HID afin d'éviter toute surchauffe et qu'il ne soit pas directement sur le sol où il pourrait entrer en contact avec de l'eau ou des nutriments.

Le transformateur LED est livré avec un câble d'alimentation de 13 ft. (4 m), un câble de sortie de 5 ft. (1.5 m) à connecter au luminaire (un câble de rallonge de 16.5 ft. [5 m] peut être acheté séparément) et un câble de commande de variation de 10 in. (25 cm) pour connecter le boîtier de variation/contrôleur au transformateur.

Pour connecter le transformateur LED à l'appareil;

Alignez correctement le connecteur du câble de sortie d'alimentation du conducteur avec la prise de sortie du conducteur et poussez-le jusqu'à ce qu'il soit verrouillé par un clic.

Connectez l'autre extrémité du câble de sortie du conducteur au câble d'entrée de l'appareil.

Pour le déconnecter, tournez le connecteur à verrouillage rotatif dans le sens inverse des aiguilles d'une montre pour le déverrouiller et le séparer.

6.3 Allumer et connecter le variateur manuel ou le contrôleur d'éclairage externe et régler l'intensité lumineuse (variation)

S'il n'y a pas de variateur ou de contrôleur connecté au transformateur, le luminaire LED s'allumera à 100% de sa puissance lors de la mise sous tension.

Le luminaire peut être allumé ou éteint à l'aide d'un variateur de lumière à signal 0-10V ou d'un contrôleur d'éclairage.

L'intensité lumineuse de l'appareil à LED peut être ajustée sans modifier le spectre ni perdre en efficacité.

Cela signifie que le PPF peut être ajusté au niveau correct pour les cycles de croissance.

Le transformateur LED peut être connecté à un contrôleur de variation manuel 0-10V ou à un panneau de contrôle Plus/universel de Photontek (tous vendus séparément) pour le contrôle de la commutation et de la variation.

Connectez la boîte de variation ou le contrôleur d'éclairage au transformateur à l'aide du câble de contrôleur de variation fourni.

Assurez-vous que les connecteurs sont correctement alignés, puis poussez-les l'un vers l'autre jusqu'à ce qu'ils soient verrouillés par un clic. Pour les libérer : tournez le verrou tournant dans le sens inverse des aiguilles d'une montre et séparez-les.

L'intensité lumineuse (niveau PPF) peut être réglée entre 20 % et 100 %.

6.4 Connexion et alimentation de plusieurs luminaires en série

Le transformateur LED VF 650W peut être utilisé pour alimenter jusqu'à cinq luminaires VF 120W simultanément.

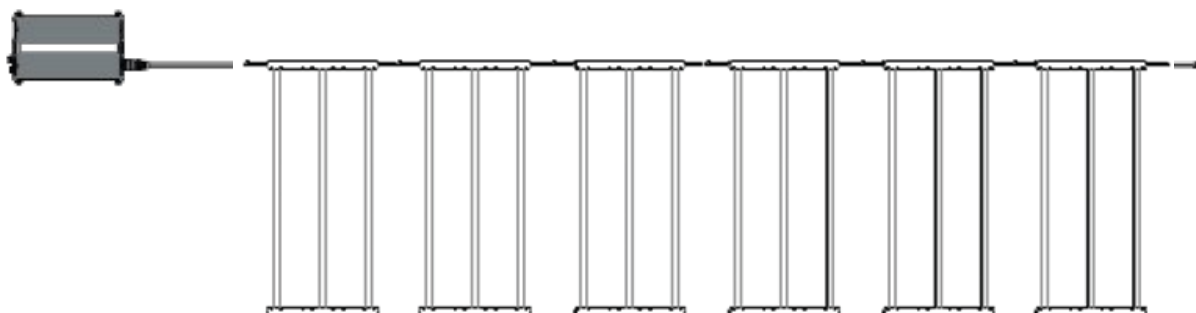
Chaque appareil dispose d'un câble d'entrée d'alimentation (connecteur mâle) et d'un câble de sortie d'alimentation (connecteur femelle).

Le câble de sortie d'alimentation du transformateur LED est connecté au câble d'entrée d'alimentation du luminaire 1.

Le câble de sortie d'alimentation du Luminaire 1 est connecté au câble d'entrée d'alimentation du Luminaire 2.

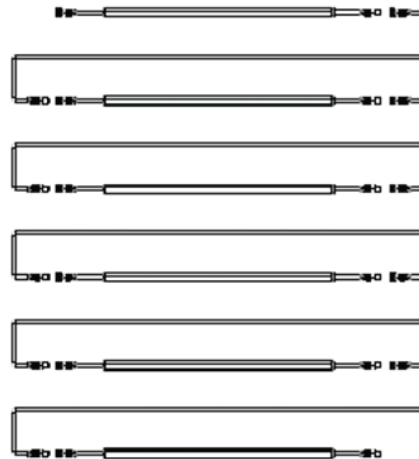
Le câble de sortie d'alimentation du Luminaire 2 est connecté au câble d'entrée d'alimentation du Luminaire 3 et ainsi de suite jusqu'à ce que les cinq luminaires soient connectés.

Exemple de plan de raccordement horizontal:



Pour des plans d'éclairage alternatifs et une plus grande flexibilité, des câbles de connexion d'extension sont vendus séparément.

Exemple de plan de raccordement vertical avec câbles de raccordement prolongateurs :



6.5 Connexion de la Lampe LED à L'alimentation

ATTENTION! Assurez-vous que l'alimentation secteur est coupée.

ATTENTION! Assurez-vous que le câble d'alimentation n'est pas enroulé et qu'il ne touche pas de surfaces chaudes.

ATTENTION! Connectez les câbles conformément aux règles locales, aux règlements de sécurité et au code électrique.

ATTENTION! Si vous n'utilisez pas de contrôleur d'éclairage externe, assurez-vous que le dispositif de commutation externe peut supporter le courant d'arrivée du luminaire à LED. Utilisez toujours un contacteur temporisé adapté à la commutation d'une charge capacitive. N'utilisez jamais de minuteur domestique pour allumer le luminaire à LED !

ATTENTION! Ne connectez ou déconnectez pas la lampe LED sous tension.

- Assurez-vous que le connecteur femelle autobloquant du câble d'alimentation du pilote LED est correctement aligné sur le connecteur mâle correspondant du pilote et poussez jusqu'à ce qu'il soit verrouillé.
- Branchez la fiche d'alimentation secteur sur l'appareil de commutation/l'alimentation électrique.
- Mettez l'appareil sous tension.

7. INSPECTION, MAINTENANCE ET RÉPARATION

ATTENTION! Déconnectez la lampe LED de l'alimentation avant d'effectuer toute maintenance ou réparation.

ATTENTION! Ne connectez ou déconnectez pas la lampe LED sous tension.

ATTENTION! N'ouvrez pas et ne démontez pas la lampe LED car elle contient des pièces non remplaçables à l'intérieur. L'ouverture ou la modification de la lampe LED peut être dangereux et révoquera sa garantie.

ATTENTION! Attendez toujours entre 20 et 30 minutes afin que les barres lumineuses LED refroidissent.

AVERTISSEMENT! Ne nettoyez pas la lampe LED avec des détergents, produits abrasifs ou toute autre substance agressive.

- Vérifiez régulièrement qu'il n'y est pas d'accumulation de poussière ou de saletés sur la lampe LED. Nettoyez-la si nécessaire. La pollution peut causer la surchauffe et une baisse des performances.
- Nettoyez l'extérieur de la lampe LED à l'aide d'un chiffon sec ou humide.
- Vérifiez régulièrement que les câbles de la lampe LED ne soient pas endommagés.

8. STOCKAGE ET DISPOSITION

Placez la lampe LED dans un environnement sec et propre ayant une température ambiante située entre -13 °F et 131 °F (-25° C et 55° C).

Le produit ne doit pas être jeté avec les ordures ménagères mais doit être collecté en déchetterie pour des raisons de traitement, récupération, et environnementales.

9. GARANTIE

PhotonTek garantit que les composants mécaniques et électroniques de ses produits ne sont pas défectueux si utilisés dans des conditions normales durant une période de trois (3) ans suivant la date d'achat initiale. Si le produit montre quelconque signe de défaillance durant sa période de garantie et que la défaillance n'est pas due à une erreur de l'utilisateur ou une mauvaise utilisation, PhotonTek se doit de remplacer ou réparer le produit en utilisant des composants ou produits neufs ou reconditionnés adaptés. Dans le cas où PhotonTek décide de remplacer totalement le produit, cette garantie limitée se doit d'être appliquée au produit de remplacement pour la période de garantie restante, qui est de trois (3) ans suivant la date d'achat du produit initial. Pour cela, retournez le produit à votre magasin d'achat avec une facture originale.

info@photontek-lighting.com
<https://photontek-lighting.com>



PHOTONTEK
HORTICULTURAL LIGHTING



VF 90W

FOLLOW US ON OUR
SOCIAL MEDIA CHANNELS



✉ info@photontek-lighting.com

🌐 www.photontek-lighting.com