

## PERFORMANCE

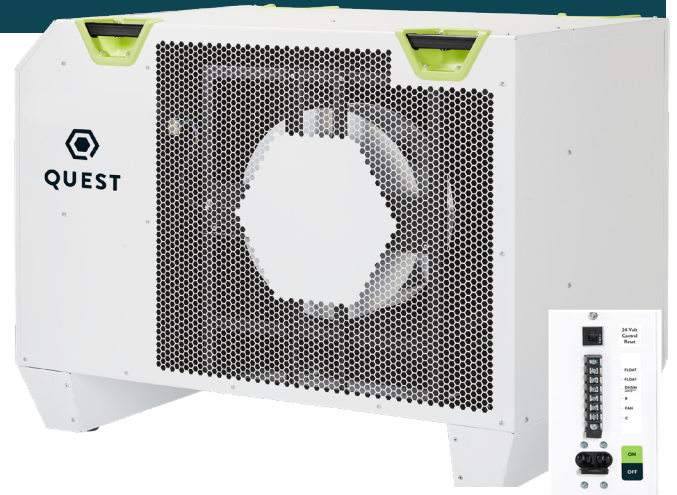
°F   %RH	80   60	75   50
Water Removal (P/Day)	876	614
Efficiency (P/kWh)	6.6	5.2
Energy Factor (L/kWh)	3.1	2.5

## ELECTRICAL

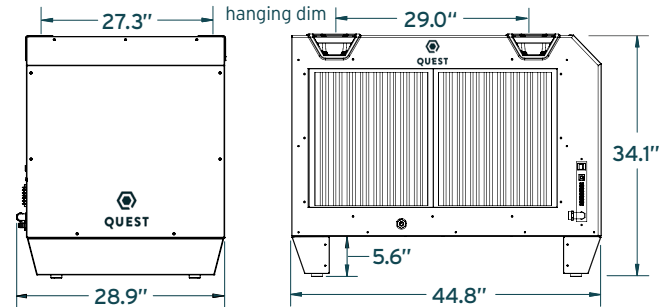
°F   %RH	80   60
Supply Voltage	230V
Current Draw	24.7A
MCA*	42.5A
MOP*	70A
Recommended Breaker Size	45A
Power	5,500W
Power Cord	Hardwire, no cord
CFM	1,850
BTU (Total)	58,200
BTU (Heat of Condensation)	39,600
BTU (Motor Load)	18,600

## SPECS

Control Type	External control required (not provided)
Refrigerant Type	R410a
Refrigerant Amount	6 lb 4 oz
Weight	340 lb
Air Filter MERV Rating	MERV-13
Dimensions	18" x 20" x 2"
Drain Port Connection	3/4" Threaded NPT
Operating Temperature	56 F Min - 95 F Max



## DIMENSIONS



## FEATURES

- + **Patented M-CoRR Technology:** Achieves the highest efficiency in its class
- + **Superior MERV-13 Filtration:** Removes harmful contaminants from the air, such as mold, bacteria and some viruses
- + **Integrated Lift and Hang Points,** for easier movement and flexible installation
- + **Low Amp Draw,** putting less stress on the grid and freeing up electricity for other equipment
- + **Auto-Restart** to previous settings after loss of power

Specifications are subject to change without notice. Drawings are not to scale. \*See manual for details on MCA/MOP.