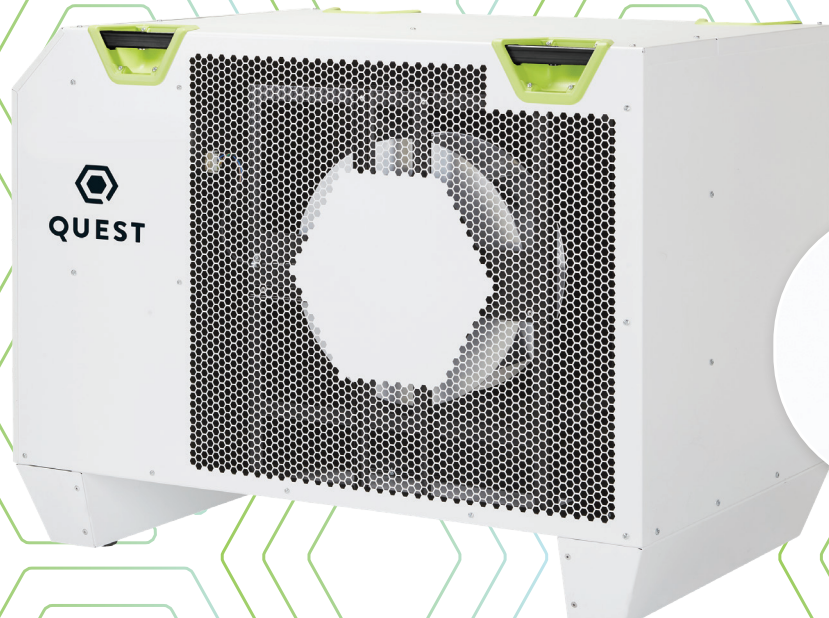


QUEST 746

For complete product
information, scan here:



- + Quieter Operation
- + Patented M-CoRR Technology
- + Industry-Leading Efficiency
- + Superior MERV-13 Air Filtration
- + Integrated Lift and Hang Points
- + Auto-Restart After Power Outages

Serial Number _____

Install Date _____

Sold By _____



Patents: thermastor.com/patents

TABLE OF CONTENTS

Safety Precautions.....	3	Wiring Diagram.....	15
1. Intended Application.....	4	Service Parts List	16
2. Registrations.....	4	Optional Parts List	16
3. Specifications.....	4	Warranty.....	17
4. Installation.....	5		
4.1 Location.....	5		
4.2 Electrical Requirements	5		
4.3 Condensate Water Removal	6		
4.4 Hanging Diagram	6		
5. Control Options.....	7		
5.1 Humidity Control.....	7		
5.2 24VAC Wiring	7		
5.2A Deh 3000R.....	8		
5.2B Honeywell Remote Humidistat	8		
5.2C Daisy Chain.....	8		
6. Maintenance	9		
6.1 Standard Air Filter.....	9		
7. Service.....	9		
7.1 Warranty.....	9		
7.2 Technical Description	9		
8. Ducting Guidelines	10		
9. Display	11		
9.1 User Interface.....	11		
9.2 Settings Change Example	12		
9.3 Viewing Active Alarms/Alarm Logs	13		
9.4 Viewing Unit Run Hours	14		



4201 Lien Rd. Madison, WI 53704
 1-877-420-1330
 Thermastor.com | QuestClimate.com

© 2016 THERMA-STOR LLC

SAFETY PRECAUTIONS

Read the installation, operation and maintenance instructions carefully before installing and operating this device. Proper adherence to these instructions is essential to obtain maximum benefit from your Quest Dehumidifier.

READ AND SAVE THESE INSTRUCTIONS

- The device is designed to be installed **INDOORS IN A SPACE THAT IS PROTECTED FROM RAIN AND FLOODING.**
- Install the unit with space to access the back or side panels for maintenance and service. **DO NOT INSTALL UNIT WITH THE SERVICE PANELS INACCESSIBLE.**
- Avoid directing the discharge air at people, or over the water in pool areas.
- If used near a pool, spa or water; be certain there is **NO** chance the unit could fall into the water, be splashed and that it is plugged into an outlet that is a **GROUND FAULT INTERRUPT** protected circuit.
- **DO NOT** use the device as a bench or table.
- **DO NOT** place the device directly on structural members. Provide vibration isolation in order to minimize operational vibration and/or noise.
- A drain pan **MUST** be placed under the unit if installed above a living area or above an area where water leakage could cause damage
- Make all electrical connections in accordance with the current edition of the NEC ANSI/NFPA 70 and any national and local codes or ordinances that may apply.
- Maintain a minimum 1 ft (.3 m) clearance to avoid obstructing the air return and supply.
- This appliance is not intended for use by persons (including children) with reduced physical, sensory or mental capabilities, or lack of experience and knowledge, unless they have been given supervision or instruction concerning use of the appliance by a person responsible for their safety. Children should be supervised to ensure that they do not play with the appliance.
- Not intended for use at altitudes over 2000M.

1. INTENDED APPLICATION FOR QUEST 746

The Quest 746 Dehumidifier is designed to operate in temperatures between 56 F and 95 F.

In order to efficiently control humidity levels, the area in which the dehumidifier is to be operated must be free of water intrusion or excessive fresh (outside) air infiltration. Before installing the Quest 746 Dehumidifier, water intrusion and air infiltration problems should be addressed or noted in calculations.

2. REGISTRATIONS

The Quest 746 Dehumidifier units conform to unified standards: UL 60335-2-40, CSA 22.2 # 60335-2-40:2012 Ed. 1+4. Patent: thermastor.com/patents

3. SPECIFICATIONS @ 80°F / 60% RH

UNIT	QUEST 746 4037610	
CFM:	1750 @ 0.0" WG	
POWER:	4300 Watts	
SUPPLY VOLTAGE:	480 VAC 3 Phase - 60 Hz	
CURRENT DRAW:	6.5A	
RATED CURRENT DRAW: (104 F 36%)	7.5A	
MCA *	10A	
MOP *	15A	
RECOMMENDED BREAKER SIZE:	10A	
ENERGY FACTOR (L/KWH):	3.45	
OPERATING TEMP:	56 F Min - 95 F Max	
WATER REMOVAL (PINTS/DAY):	746	
EFFICIENCY (PINTS/KWH):	7.3	
AIR FILTER (MERV-13): (QTY 2)	Size: 18" x 20" x 2"	
POWER CORD:	No Cord	
ELECTRICAL KNOCKOUT SIZE:	3/4" (1.094" opening)	
DRAIN CONNECTION:	3/4" Threaded NPT	
REFRIGERANT TYPE:	R410A	
REFRIGERANT AMOUNT:	6 lb 4 oz	
DIMENSIONS:	Unit	Shipping
WIDTH:	28.9"	36"
HEIGHT:	34.1"	40"
LENGTH:	44.8"	48"
WEIGHT:	340 lb	420 lb

*** MCA = Minimum Circuit Ampacity**

This number provides a qualified electrician with the information needed to determine the minimum wire size used in the circuit that feeds a single dehumidifier.

*** MOP = Maximum Overcurrent Protection**

This number provides a qualified electrician with the value of the maximum size circuit breaker that may be used to protect the circuit that feeds a dehumidifier.

This unit requires external control, not provided.

4. INSTALLATION

4.1 LOCATION

The Quest 746 Dehumidifier can be installed in a variety of locations to meet the owner's needs as listed below. In all cases keep the following cautions in mind:

- It is designed to be installed INDOORS IN A SPACE THAT IS PROTECTED FROM RAIN AND FLOODING.
- Install the unit with space to access side panel for maintenance and service. DO NOT INSTALL UNIT WITH ACCESS PANEL INACCESSIBLE.
- Avoid discharging the air directly at people, or over the water in pool areas.
- Be certain there is NO chance the unit could fall into water.
- DO NOT use the Quest 746 Dehumidifier as a bench or table.
- DO NOT place the Quest 746 Dehumidifier directly on structural members. Provide vibration isolation in order to minimize operational vibration and/or noise.
- A drain pan MUST be placed under the unit if installed above an area where water leakage could cause damage.
- Do not obstruct the air intake and exhaust. Maintain a 1 ft clearance around the air intake and exhaust.
- Permanently removing the fixed feet (4038225 and 4038226) from the base pan will invalidate the ETL/UL certification. Please contact Quest for more information.

4.2 ELECTRICAL REQUIREMENTS

High Voltage Connections

The Quest 746 Dehumidifier must be wired directly to the electrical service. The current draw under normal operating conditions is listed in section 3.


Information required for proper electrical service installation and overcurrent protection may be found on the Dehumidifier nameplate. The unit power switch is a disconnect switch. Route power and ground wires through the electrical knockout hole. Electrical input power wiring must comply with all national, state, and local electrical codes. Make electrical connections according to the wiring diagram provided in this manual and inside the access panel of the Dehumidifier. A ground fault interrupter protected circuit is recommended.

Low Voltage Connections

Install the external control in a central area of the structure where it will sense the relative humidity accurately. Avoid installing the sensor near HVAC supply registers, near exterior doors, or near pool or spa. The installer must supply the wiring between the Dehumidifier and the control panel. Be sure to safely route the control wiring to prevent damage during installation. Be careful not to cross the wires when connecting the Dehumidifier and the Control.

The controls of the Dehumidifier are powered by a low voltage circuit (24VAC) and must NEVER contact or be connected to a high voltage circuit. The control terminals are labeled to prevent confusion.

For more information on controls, see section 5.

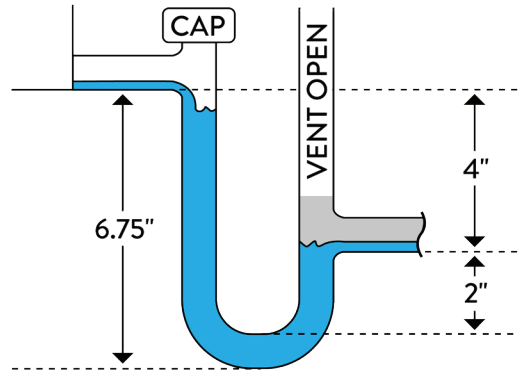
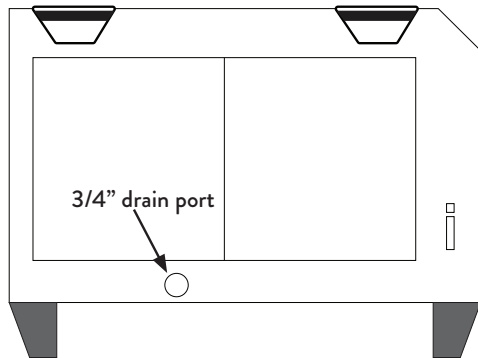
 **WARNING!** Electrical Shock Hazard: Electrical power must be present for some tests. These tests should be performed by a qualified service person.

4.3 CONDENSATE WATER REMOVAL

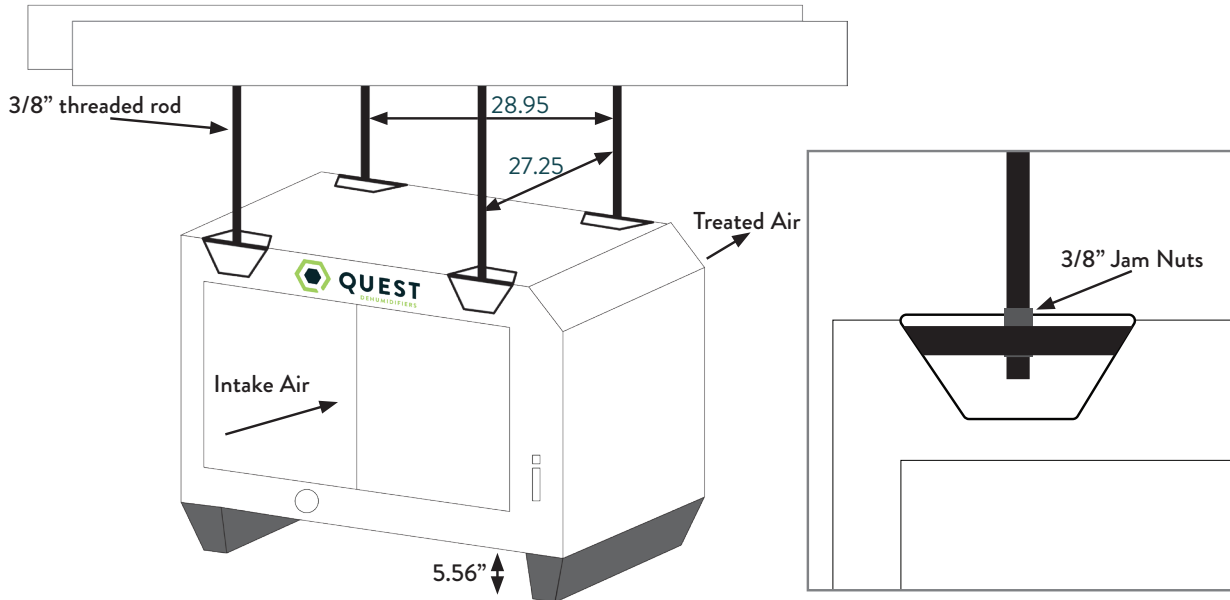
Condensate drains by gravity via the drain port. Use 3/4" male NPT PVC pipe. An optional condensate pump kit may be installed if a lift is required to dispose of the condensate. Optional parts list for information on the kit.

FOLLOW DIAGRAM:

Level unit within 2°



4.4 HANGING DIAGRAM



- PARTS NEEDED:**
- 4 pieces 3/8" threaded rod (not included)
 - 4 - 3/8" threaded jam nuts (not included)

⚠ WARNING! Hanging installation must meet all state and local codes.

⚠ WARNING! Installation should be done by a qualified agency in accordance with these instructions. The qualified service agency installing this high efficiency refrigeration system is responsible for the installation.

⚠️ WARNING! Check the supporting structure to be used to verify that it has sufficient load carrying capacity to support the weight of the unit. Suspend the unit only from the threaded nut retainers. Do NOT suspend from the cabinet.

⚠️ CAUTION! Recommended maximum hanger rod is 6 ft (1.8 m).

5. CONTROL OPTIONS

The Quest 746 Dehumidifier is controlled by an external remote humidistat through a 24V terminal block. External control NOT provided.

5.1 HUMIDITY CONTROL

A 24VAC signal is sent by the remote humidistat signals the fan or fan and compressor to actuate.

Quest Control Options:

- Cloud Control
- DEH 3000R
- Honeywell Humidistat
- Any 24V signal to dehumidify

⚠️ CAUTION! Low Voltage Hazard. Can cause equipment damage. Disconnect power before beginning installation.

5.2 24VAC WIRING

The terminal block, low voltage circuit breaker, and power switch are located on the intake side of the unit. Turn the power switch to the off position while wiring the unit.

FLOAT: {External normally closed dry contact float switch.} No voltage may be applied to the float switch.

FLOAT: Applying voltage may damage the control and void the warranty. {If no float is used in the system, leave the jumper connected to the terminal block.}

DEHU: Dehumidification (compressor and fan operation).

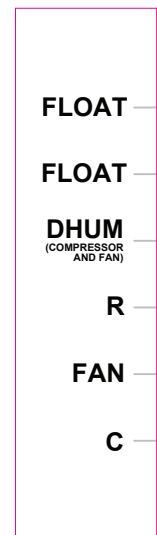
R: 24VAC output

FAN: Fan operation only.

C: 24VAC neutral (common)

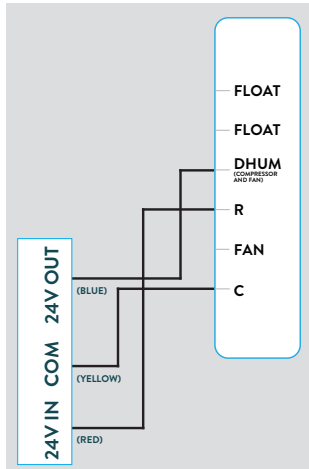
Note:

- External devices can be powered between 24V/COM (10VA max).
- 24V circuit is protected by circuit breaker



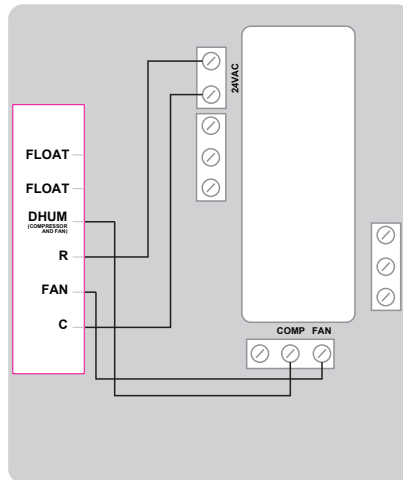
5.2 24 VAC

QUEST CLOUD CONTROL WIRING DIAGRAM



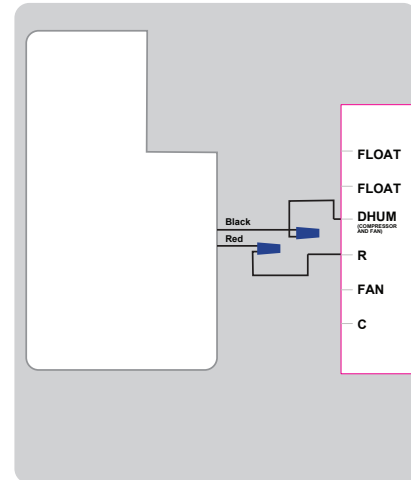
5.2A QUEST

QUEST DEH 3000R CONTROL WIRING DIAGRAM



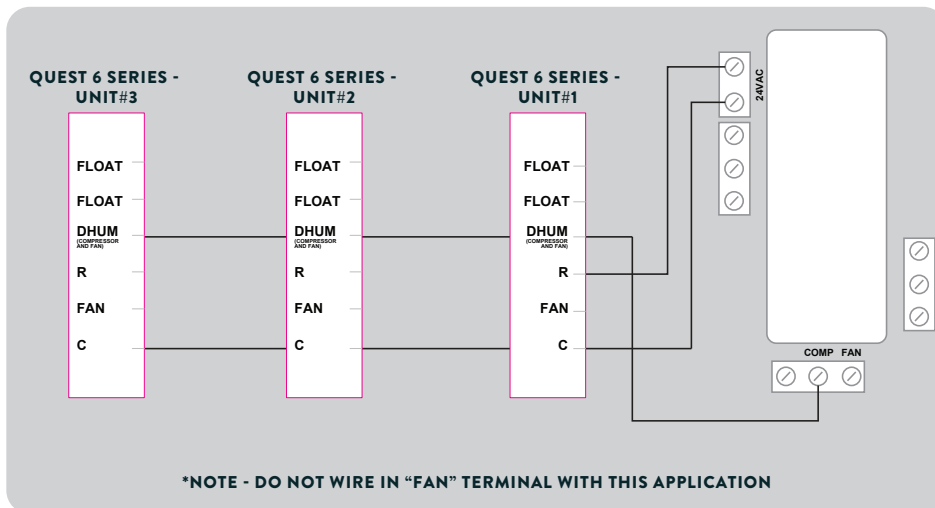
5.2B HONEYWELL

HONEYWELL REMOTE HUMIDISTAT WIRING DIAGRAM



5.2C DAISY CHAIN

QUEST DEH 3000R CONTROLER



6. MAINTENANCE

⚠ WARNING! Do not operate the unit without the filter or with a less effective filter. Filter non-compliance invalidates the product warranty.

6.1 STANDARD AIR FILTER

The Quest 746 Dehumidifier ships with two standard MERV 13 efficient pleated fabric filters. This filter should be checked every six months. Operating the unit with a dirty filter will reduce dehumidifier capacity and efficiency.

To access the air filter, the filter should be readily visible and can be removed by pulling it straight out of the Quest 746 Dehumidifier.

For agriculture, we recommend changing the filter with every grow cycle.

7. SERVICE

⚠ WARNING! Servicing the Quest 746 with its high pressure refrigerant system and high voltage circuitry presents a health hazard which could result in death, serious bodily injury, and/or property damage. Only qualified service personnel should service this unit.

7.1 WARRANTY

A warranty certificate has been enclosed with this unit; read it before any repair is initiated. If a warranty repair is required, call the factory first at 1-877-420-1330 for warranty claim authorization and technical assistance.

7.2 TECHNICAL DESCRIPTION (NON STANDARD PATENTED)

The Quest 746 Dehumidifier uses a refrigeration system to remove moisture from incoming air, and add heat to the air that is discharged.

Hot, high-pressure refrigerant gas is routed from the compressor to the condenser coil. The refrigerant is cooled and condensed by giving up its heat to the air that is about to be discharged from the unit. The refrigerant liquid then passes through a filter/drier and expansion drier which causes the refrigerant pressure and temperature to drop. It next enters the evaporator coil where the cool refrigerant absorbs heat from the incoming air and evaporates.

The compressor evacuates the cool refrigerant vapor from the evaporator and compresses it to a high pressure and temperature to repeat the process.

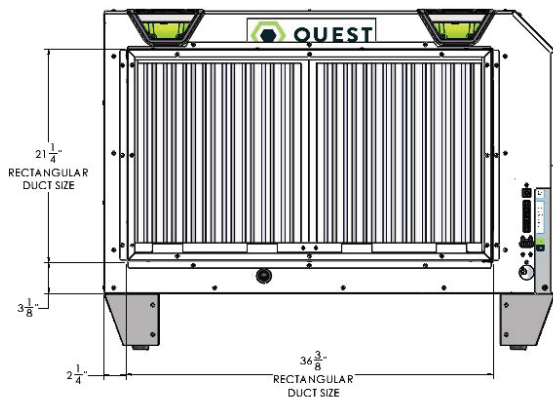
8. DUCTING GUIDANCE

⚠ CAUTION! Quest 746 is intended for use in statics under .5"WG.

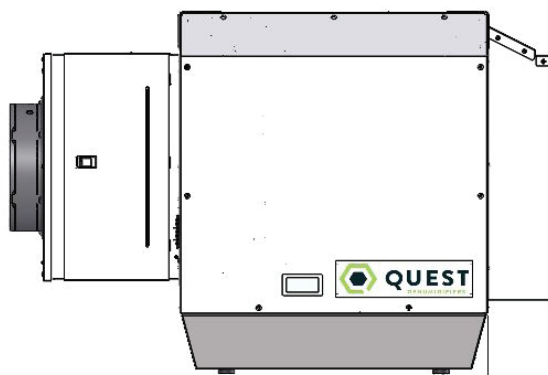
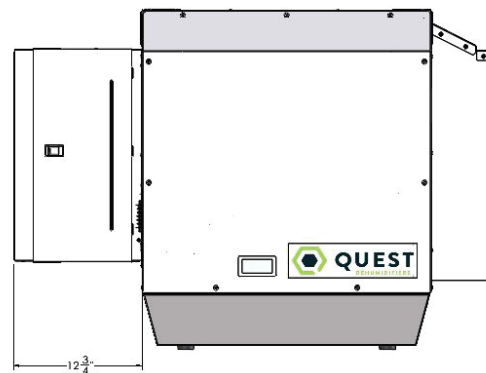
- Ducting either the intake or exhaust uses custom Therma-Stor Intake and Exhaust Duct Kits, and use a minimum of two 12" diameter round ducts.
- Grills or diffusers on the duct ends must not excessively restrict airflow.
- Effective dehumidification may require ducting to be branched to isolated or stagnant flow areas. Be sure to use appropriate size duct branches to maintain proper feed throughout the ducting system.
- System control should be placed remotely from the dehumidifier in a central location.
- Intake and exhaust ducting should have a minimum of 4 feet from the unit before any turns and maximum of 25' for total run.

⚠ CAUTION! Do not connect with a static pressure greater than +.5"wg. Contact technical support for additional details.

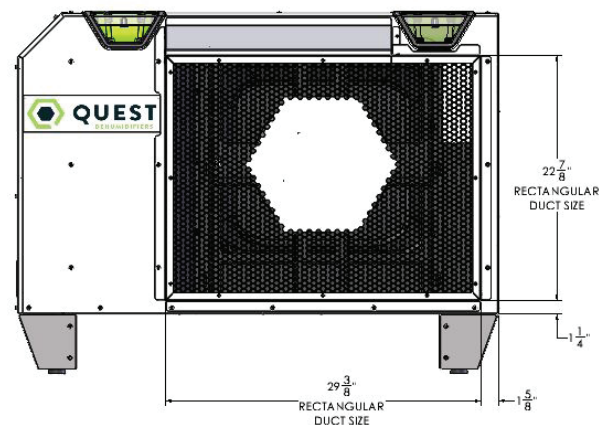
- Optional duct kits are available from the factory: Exhaust Kit 4039868 and Intake Kit 4038642. See figures below for plenum dimensions and duct diameters. Alternatively, licensed contractors can fabricate duct plenums and reference figures below for safe fastener mounting points.



QUEST 6 SERIES
746 INTAKE DUCT
LOCATION



QUEST 6 SERIES
746 SUPPLY DUCT
LOCATION



9. DISPLAY

9.1 USER INTERFACE

The main status screen is shown:



Left side buttons (top to bottom):

- Alarm - press at any time to check active alarms.
- Prg/Bullseye - press at any time to access settings and menus.
- Escape - press at any time to move to the previous menu.

Right side buttons (top to bottom):

Up

- On a menu selection screen - moves cursor up.
- On an editable value - increases the value. Press and hold to change the value faster.
- If cursor is in upper left corner of a screen - moves to previous screen.

Enter

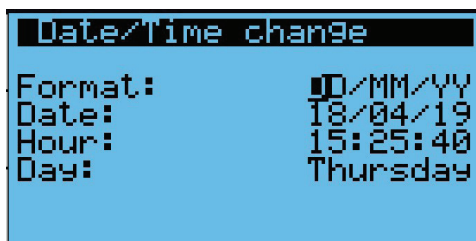
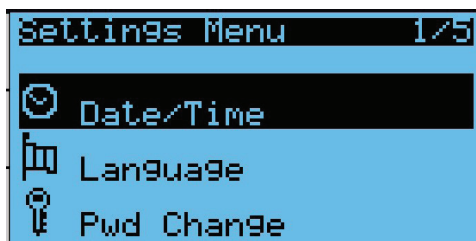
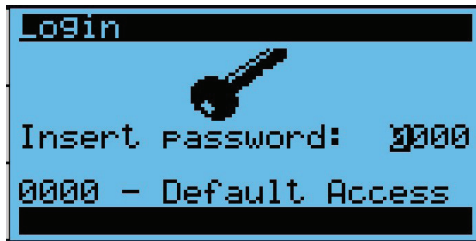
- On a menu selection screen - enters the highlighted menu.
- On an editable value - saves the current value and moves to the next editable item on the screen.

Down

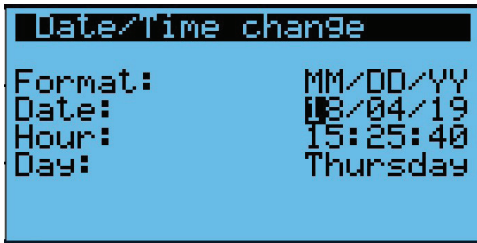
- On a menu selection screen - moves cursor down.
- On an editable value - decreases the value. Press and hold to change the value faster.
- If cursor is in upper left corner of screen - moves to next screen.

9.2 SETTINGS CHANGE EXAMPLE: CHANGING DATE DISPLAY FORMAT

1. From any screen, press the Prg/Bullseye key. This will prompt for a password.
2. Press Enter four times to access the menu. Then, press Up/Down keys until Settings is highlighted.
3. Press Enter to enter Settings menu. Then, press Up/Down until Date/Time is highlighted.
4. Press Enter to select Date/Time. Then, press Enter again to move the cursor to the Format field.



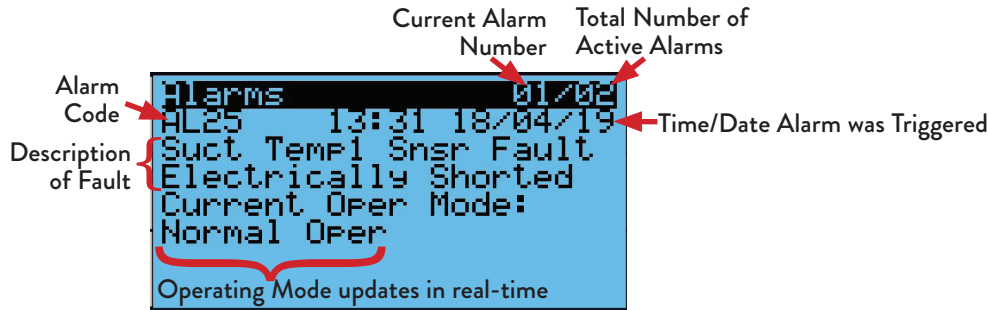
1. Press the Up/Down keys to cycle through the options. Once MM/DD/YY is displayed, press Enter. This will save the new value, and will move the cursor down to the date field.



2. Press Escape three times to get back to the main status screen.

9.3 VIEWING ACTIVE ALARMS/ALARM LOGS

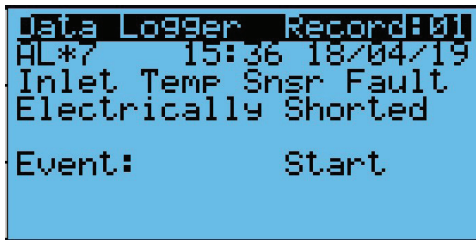
1. From any screen, press the Alarm key. If there are active alarms, this will display a screen like this.



2. Press Up/Down to cycle through all active alarms. The alarms are arranged in order of their alarm code (lowest to highest). One screen beyond last active alarm, the following screen will be displayed.
 - * Note that if a fault condition is still present, resetting an alarm will have no effect. Active alarms will automatically be removed from the list when the fault condition is resolved.



3. Press Enter to access the Alarm Log. This allows you to cycle through the 50 most recent alarms, whether they are active or if they've been resolved. These are arranged from newest to oldest. The Alarm Log screen is similar to the Active Alarm screen, except for a few differences:
 - * The Alarm Log screen does not display the current operating mode
 - * The Alarm Log screen shows both when the alarm was first triggered (Event: Start) and when the fault condition was resolved (Event: Stop).

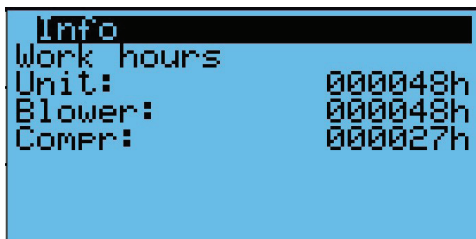


9.4 VIEWING UNIT RUN HOURS

1. From any screen, press Escape several times to return to the main status screen. Press Up/Down until the clock icon is displayed in the lower-right of the screen.
2. Press Enter to display the operating hours for the entire unit (compressor or fan), for the blower,

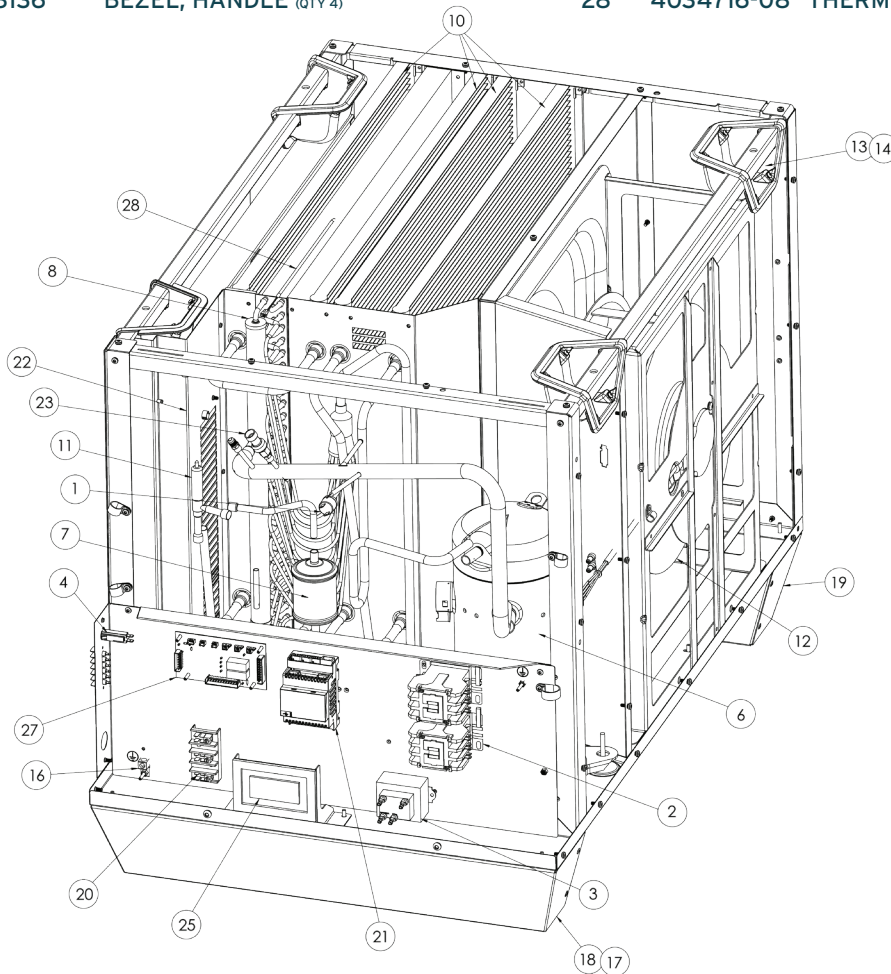


and for the compressor.



SERVICE PARTS LIST

Item	Part No	Description	Item	Part No	Description
1	4029507	CONTROL, HIGH PRESSURE	15	4042586	WIRE HARNESS (NOT SHOWN)
2	4042474	CONTACTOR, 3-POLE (QTY 2)	16	4038079	LUG, GROUND
3	4042114	TRANSFORMER	17	4038219	FOOT, RUBBER, 1.25" DIA (QTY 4)
4	4036559	CIRCUIT BREAKER	18	4038225-01	BRACKET, FOOT, RIGHT
5	4039667	THERMISTOR W/CLAMP (QTY 2) (NOT SHOWN)	19	4038226-01	BRACKET, FOOT, LEFT
6	4042979	CPRSR	20	4042475	BLOCK, WIRING
7	4037702	FILTER, DRIER	21	4042596	PLC
8	4037703-04	COIL, EVAP	22	4038233	FILTER - 18 X 20 X 2 (QTY 2)
9	4037699	THERMISTOR BULB (QTY 2) (NOT SHOWN)	23	4039862	PRESSURE TRANSDUCER
10	4039605-02	COIL, MICRO (QTY 4)	24	4042477	CPRSR WIRE HARNESS (NOT SHOWN)
11	4039661	EEV	25	4041558	PLC DISPLAY
12	4042479	FAN,MOTORIZED IMPELLER	26	4041559	DISPLAY CABLE ASSEMBLY (NOT SHOWN)
13	4038135	HANDLE, POCKET (QTY 4)	27	4039875	PCB
14	4038136	BEZEL, HANDLE (QTY 4)	28	4034716-08	THERMISTOR PROBE



OPTIONAL PARTS LIST

Part No	Qty	Description	Part No	Qty	Description
4028531	1	DEH 3000R Control, Remote	4039868	1	Kit, Exhaust Duct
4022220	1	Kit, Pump	4038644	1	Drain Trap Kit
4038642	1	Kit, Intake Duct			

DO NOT DISCARD

IMPORTANT WARRANTY INFORMATION

QUEST 746 DEHUMIDIFIER LIMITED WARRANTY

SERIAL NUMBER _____

PART NUMBER _____

WARRANTOR:

Therma-Stor LLC
4201 Lien Rd
Madison, WI 53704
Telephone: 1-800-533-7533

REGISTER YOUR NEW DEHUMIDIFIER

using the serial number and part number at
www.thermastor.com/registration
or scan code to the right



WHO IS COVERED: This warranty extends only to the original end-user of the Quest 746 Dehumidifier dehumidifier, and may not be assigned or transferred.

FIRST YEAR WARRANTY: Therma-Stor LLC warrants that, for one (1) year the Quest 746 Dehumidifier dehumidifier will operate free from any defects in materials and workmanship, or Therma-Stor LLC will, at its option, repair or replace the defective part(s), free of any charge.

SECOND THROUGH FIFTH YEAR WARRANTY: Therma-Stor LLC further warrants that for a period of five (5) years, the condenser, evaporator, and compressor of the Quest 746 Dehumidifier dehumidifier will operate free of any defects in material or workmanship, or Therma-Stor LLC, at its option, will repair or replace the defective part(s), provided that all labor and transportation charges for the part(s) shall be borne by the end-user.

END-USER RESPONSIBILITIES: Warranty service must be performed by a Servicer authorized by Therma-Stor LLC. If the end-user is unable to locate or obtain warranty service from an authorized Servicer, he should call Therma-Stor LLC at the above number and ask for the Therma-Stor LLC Service Department, which will then arrange for covered warranty service. Warranty service will be performed during normal working hours.

The End-user must present proof of purchase (lease) upon request, by use of the warranty card or other reasonable and reliable means. The end-user is responsible for normal care. This warranty does not cover any defect, malfunction, etc. resulting from misuse, abuse, lack of normal care, corrosion, freezing, tampering, modification, unauthorized or improper repair or installation, accident, acts of nature or any other cause beyond Therma-Stor LLC's reasonable control.

LIMITATIONS AND EXCLUSIONS: If any Quest 746 Dehumidifier part is repaired or replaced, the new part shall be warranted for only the remainder of the original warranty period applicable thereto (but all warranty periods will be extended by the period of time, if any, that the Quest 746 Dehumidifier is out of service while awaiting covered warranty service).

UPON THE EXPIRATION OF THE WRITTEN WARRANTY APPLICABLE TO THE Quest Dual DEHUMIDIFIER OR ANY PART THEREOF, ALL OTHER WARRANTIES IMPLIED BY LAW, INCLUDING MERCHANTABILITY AND FITNESS FOR A PARTICULAR PURPOSE, SHALL ALSO EXPIRE. ALL WARRANTIES MADE BY THERMA-STOR LLC ARE SET FORTH HEREIN, AND NO CLAIM MAY BE MADE AGAINST THERMA-STOR LLC BASED ON ANY ORAL WARRANTY. IN NO EVENT SHALL THERMA-STOR LLC, IN CONNECTION WITH THE SALE, INSTALLATION, USE, REPAIR OR REPLACEMENT OF ANY Quest Dual DEHUMIDIFIER OR PART THEREOF BE LIABLE UNDER ANY LEGAL THEORY FOR ANY SPECIAL, INDIRECT OR CONSEQUENTIAL DAMAGES INCLUDING WITHOUT LIMITATION WATER DAMAGE (THE END-USER SHOULD TAKE PRECAUTIONS AGAINST SAME), LOST PROFITS, DELAY, OR LOSS OF USE OR DAMAGE TO ANY REAL OR PERSONAL PROPERTY.

Some states do not allow limitations on how long an implied warranty lasts, and some do not allow the exclusion or limitation of incidental or consequential damages, so one or both of these limitation may not apply to you.

LEGAL RIGHTS: This warranty gives you specific legal rights, and you may also have other rights which vary from state to state.

