



CENTURIONPRO

ELITE TRIMMING TECHNOLOGIES



**SEW
EURODRIVE**



HP TABLETOP BUCKER

!! IMPORTANT !!

WARRANTY

YOU MUST REGISTER YOUR BUCKER WITHIN 30 DAYS OF YOUR PURCHASE

YOU HAVE JUST MADE A SMART DECISION BY PURCHASING THE BEST BUCKER IN THE WORLD. FAILURE TO REGISTER YOUR BUCKER WITHIN 30 DAYS OF PURCHASE WILL VOID YOUR 2 YEAR WARRANTY. PROTECT YOUR INVESTMENT. THIS PROCESS WILL ONLY TAKE 3 MINUTES TO COMPLETE.

REGISTER NOW!



cprosolutions.com/warranty

WARRANTY TERMS AND CONDITIONS

CenturionPro Solutions (the manufacturer) will repair or replace, without charge, any parts proven defective in material or in workmanship for a period of 2 years on the Trimming Machine. Regular wear and tear of consumable parts, including but not limited to gears, springs, bearings, cut plates and rollers will not be covered under this warranty.

The warranty period will begin on the date the machine(s) is purchased by the initial purchaser. Product or component warranty defects can be remedied at any authorized service dealer, or directly at the manufacturer. Any service work performed, and deemed valid due to a defective part, will be free of charge. CenturionPro Solutions reserves the right to use any manufacturer-approved replacement part for the warranty repair.

The machine or defective part then must be returned to the manufacturer for analysis or replacement at the cost of the owner. Parts deemed to be covered under the warranty will be provided for free excluding shipping costs.

Do not return the machine to the place of purchase for repair or warranty claims, unless you have been authorized by CenturionPro Solutions to do so. The place of purchase can only sell replacement parts and will not repair any warranty issues, unless it is noted as an authorized repair dealer and has been authorized to work on your machine.

IF WARRANTY REPAIR IS REQUIRED, PLEASE CONTACT THE MANUFACTURER AT 1-855-535-0558 OR techsupport@cprosolutions.com AND PROVIDE THE FOLLOWING INFORMATION:

- 1. Model and serial number - Located on the back side**
- 2. Proof of purchase date**
- 3. A copy of the original Warranty Registration Card or Online Submission**
- 4. Details of the defect or problem (include photos and videos)**

YOU MAY BE DENIED WARRANTY COVERAGE IF YOUR MACHINE HAS FAILED DUE TO ANY OF THE FOLLOWING:

Product abuse	Normal wear
Product neglect	Accidental damage
Improper maintenance	Unapproved modifications
Improper electrical connection	

LIABILITIES

The manufacturer assumes no risk and shall be subject to no liability for damages or loss resulting from the specific use or application made of the product. In no event will the manufacturer be liable for any special, incidental or consequential damages (including loss of use, loss of profit and claims of third parties) however caused - whether by negligence of the manufacturer or otherwise. If you have any questions regarding your warranty rights and responsibilities, please contact the manufacturer.

LEGALITIES

CenturionPro Bucker machines are intended for use on legal aromatic herbs and hops. Please check all municipal, provincial/state and federal laws and regulations before using these machines. CenturionPro Solutions does not promote or condone the use of these products in any way that may be deemed illegal. Allow only persons who understand this disclaimer to operate the machines.



IMPORTANT SAFETY INFORMATION

CENTURION PRO SOLUTIONS: HP TABLETOP BUCKER

The HP Tabletop Bucker is a high-powered machine that requires special safety precautions to be practiced while in operation to reduce the risk of personal injury. Improper use of the HP Tabletop Bucker may cause serious or fatal injury. Please read the precautions and warning labels before using the HP Tabletop Bucker.

**DO NOT LEND OUT OR RENT YOUR HP TABLETOP BUCKER WITHOUT THIS OPERATING MANUAL.
A FIRST TIME USER SHOULD OBTAIN PROPER INSTRUCTION PRIOR TO USE.**

OPERATING THE HP TABLETOP BUCKER WITHOUT READING THE INSTRUCTIONS THAT ACCOMPANY A CAUTIONARY LABEL (IE. "DANGER", "CAUTION", "WARNING", OR "NOTICE" SYMBOL), MAY RESULT IN SERIOUS OR FATAL INJURY.

GENERAL

- Do not move, disassemble, clean or inspect the Bucker while the power is still connected to the machine.
- Some CenturionPro Buckers are very heavy - Never lift alone and always use proper lifting techniques.
- Replacement parts are specific to the Buckers and must be purchased from an authorized dealer only.
- Substituting factory parts with non-approved third-party replacements may result in damage to the machine or bodily harm.
- Keep all individuals a safe distance from the work area. Do not operate the machine around children.
- Do not remove safety labels. Replace any and all labels if they become damaged or obscured

CONNECTION

- As with home appliances, the HP Tabletop Bucker must be used in connection with a properly grounded receptacle.
- Never plug in or power up your Bucker machine if the protective shrouds are removed.
- Do not use extension cords smaller than 12 gauge or longer than 7.6m (25ft) in length to power the Bucker.
- Using unrated extension cords can cause motor overheating and premature failure.
- Not compatible with GFCI/GFI outlet.

OPERATION

- HP Tabletop Buckers come from the manufacturer set with the optimal roller settings. The initial set up will show assembly instructions.
- Safety glasses and dust masks must be worn at all times when operating Buckers.
- Do not operate any Bucker machine while tired or under the influence of medication, drugs or alcohol.
- Do not put anything other than plant material into the Bucker. Doing so may cause damage to the machine or result in bodily harm.
- Operate the Bucker in a well ventilated area in order to prevent overheating.

MAINTENANCE

- Never leave the HP Tabletop Bucking system running unattended.
- Never conduct maintenance or cleaning while the machine is plugged in.
- Do not modify or adapt any part of the Bucker or its accessories. Doing so may cause irreversible damage to the machine or result in bodily harm.

FOR OPTIMAL PERFORMANCE AND LIFE, THE BUCKER MUST BE CLEANED AFTER DAILY USE.

SEW
EURODRIVE



WITNESS THE RISE

RELIABLE • INDUSTRIAL • SIMPLE • EFFICIENT

PLANT PREPPING 101



3 STEPS FOR OPTIMAL PROCESSING



ENVIRONMENT PREPARATION

- Ensure adequate space
- Review electrical requirements
- Have adequate bins for product transport
- Cooler temperatures in processing room is beneficial



PLANT PREPARATION

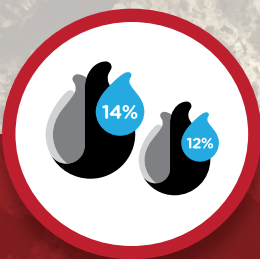
- Cut main stalk
- Separate each individual stem (no 'y' junctions)
- Leave 3" of stem for clearance into machine
- Ensure clean angled cuts for precise feeding



FEEDING

- Keep prepped product stem side up for efficiency
- Size the stem to fit the ideal hole
- Feed end first into machine
- Use variable speed control to adjust flow

DRY BUCKING TIPS



MOISTURE CONTENT

- Moisture content is critical for ensuring minimal damage to the flower
- Flower that is too dry will fall apart
- Flower that has too much moisture will compact and dent
- For best results with dry bucking, moisture content should be between 12% and 14% when using a machine



BUD CONSISTENCY

- Buds should be "springy" - when the flower is squeezed between two fingers it will rebound and return to its original shape
- Both big and smaller stems must be pliable when bucking with a machine such as a GC or HP System
- Pliable stems ensure that they fold and are stripped upon entering the bucking machine. If too brittle, they will simply break off and will not be properly stripped




MACHINE SPEED


- Slowing the machine speed for dry bucking will lead to a better result
- Dry bucking at 1/2 or 1/3 of the regular speed will ensure better results
- The variable speed control offered by our HP Tabletop Bucker is a great feature when bucking dry material

TABLE OF CONTENTS

WARRANTY	2
IMPORTANT SAFETY INFORMATION	3
PLANT PREP 101 - 3 STEPS FOR OPTIMAL PROCESSING, DRY BUCKING TIPS	4
TABLE OF CONTENTS	5
COMPONENT OVERVIEW	6
BUCKER SPECIFICATIONS	7
SAFETY - BEFORE YOU START, CONTROLS & COMPONENTS	8
SAFETY - BUCKER SAFETY, SERVICING YOUR BUCKER	9
TABLETOP BUCKER / TRIMMER BUNDLE	10
STAND ASSEMBLY UPGRADE	10
CLEANING & MAINTENANCE	11
GENERAL OPERATIONS	12
TROUBLESHOOTING	13
FREQUENTLY ASKED QUESTIONS	13
RETURN/REFUND POLICY	13

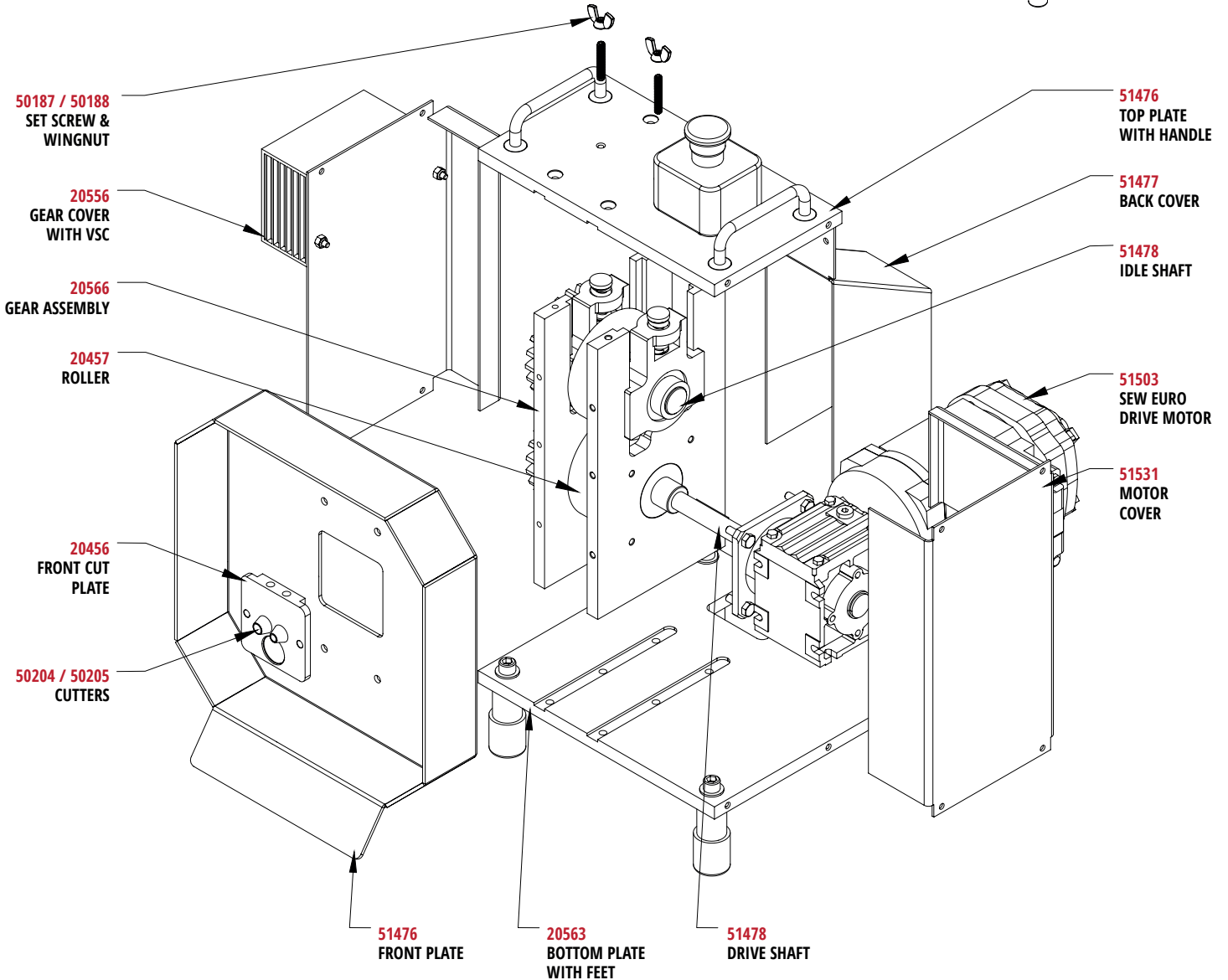
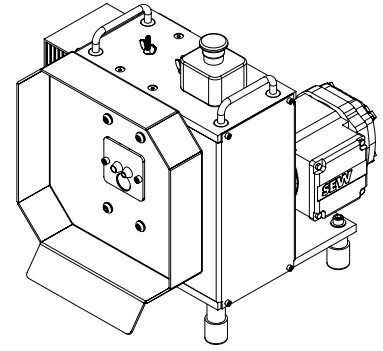
HP TABLETOP BUCKER CONNECTIONS	
CANADA, USA, MEXICO & JAPAN CONNECTOR PLUG REGULAR WALL OUTLET	

HPTT BUCKER ADDITIONAL REQUIREMENTS	
EXTENSION CORD	14 AWG (min AWG SIZE)
	7.6m/25ft MAX LENGTH

HP TABLETOP BUCKER CONNECTIONS	
EUROPE, SOUTH AMERICA & ASIA CONNECTOR PLUG REGULAR WALL OUTLET	

AMOUNT	CONTENTS
1 x	HP TABLETOP BUCKER
1 x	MANUAL

COMPONENT OVERVIEW



**LEARN
HOW NOW**



HP TABLETOP BUCKER SPECIFICATIONS



HP TABLETOP BUCKER	
Input Voltage	NA: 120V, 60Hz Single Phase EU, AUS: 240V, 50Hz Single Phase
Current Draw	NA: < 3A Operating EU, AUS: < 1.5A Operating
Drive Motor	0.33HP, IP54 1330 RPM (50Hz)
	0.33HP, IP54 1675 RPM (60Hz)
Variable Speed Control	Yes
Weight	50lbs / 23kg
Length	18in / 46cm
Width	15in / 38cm
Height	17in / 43cm
Circuit Breaker Required	NA: 15A/120V EU, AUS: 15A/220V
Warranty	2 Years

HPTT BUCKER ADDITIONAL REQUIREMENTS	
EXTENSION CORD	14 AWG (min AWG SIZE)
	7.6m/25ft MAX LENGTH

HP TABLETOP BUCKER FEATURES	
Feed Types	Wet/Dry
Feed Entry Sizes	2-hole (1/4", 3/8")
Feed Throughput	+75 lbs/hr (Wet) +15 lbs/hr (Dry)
Roller Sets	Neoprene Rubber
Reverse Operation	No
Duty Cycle	Continuous
Pull Speed	10-30 in/s
Pull Strength	> 300 lbs
GMP Compliant*	Yes
UL Compliant*	Yes
CE Compliant*	Yes
RoHS Compliant*	Yes
Primary Material	304 Stainless Steel / Aluminum



BEFORE YOU START

CONNECT POWER CORDS

1. Connect the HPTT Bucker power cord to a 15 amp 120 VAC circuit. Do not connect and disconnect the power cord with wet hands. Do not operate in the rain.

NOTICE: The HPTT Bucker draws a max of 5 amps.

STARTING THE MACHINE

1. Flip the MOTOR SWITCH to the ON position.
2. Turn the BUCKER SPEED dial clockwise to set the desired speed, start off at the lowest setting and increase as required.

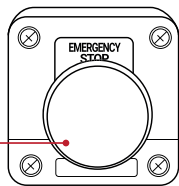
STOPPING THE MACHINE

NOTICE: In an emergency, hit the EMERGENCY STOP button.

1. At any other time, turn the TUMBLER SPEED dial counter-clockwise, until it aligns with the ZERO.
2. Turn the MOTOR SWITCH to the OFF position.

DISCONNECT POWER CORDS

1. Disconnect the Bucker's power cord.



EMERGENCY STOP BUTTON

Located on top of HPTT Bucker

SPEED CONTROL BOX



NOTICE: Be sure to hold the plug when disconnecting power cord from electrical outlet. Do not disconnect by pulling on the power cord.

CONTROLS AND COMPONENTS

BEFORE OPERATION

Read and understand this manual. Educate yourself on the location and operation of the controls. Familiarize yourself with the Bucker and how it works before you begin using it. Know how to quickly shut off the machine in case of an emergency.

Your safety is your responsibility.

PRE-OPERATION CHECK

For your safety, and to maximize the service life of your equipment, it is very important to take a few moments before you operate the Bucker to check its condition before each use. If you happen to come across any issues, be sure to take care of them before you operate the Bucker.

Improperly maintaining this Bucker, or failing to correct a problem before operation, could cause a malfunction which could cause you to be seriously injured. Always perform a pre-operation inspection before each use, and correct any problem.

Before beginning your pre-operation checks, be sure the Bucker is on a level surface, the MOTOR SWITCH is in the OFF position, and all power cords are unplugged.

CHECK THE GENERAL CONDITION OF THE BUCKER

Clean the Bucker and Cutters. Look for signs of damage.

Check each control for proper operation.

Check parts for wear. Replace if necessary.

Check that all nuts, bolts, and clamps are tightened appropriately.

NOTICE: Keep all Guards and Plates in place while operating the Bucker.



**LEARN
HOW NOW**

BUCKER SAFETY**IMPORTANT SAFETY INFORMATION**

Some of the most important safety precautions follow. However, we cannot warn you of every conceivable hazard that can arise in performing maintenance. Only you can decide whether or not you should perform a given task. Failure to properly follow maintenance instructions and precautions can cause you to be seriously hurt or killed. Always follow the procedures and precautions in this owner's manual. Centurion Pro buckers are designed to buck plant material from a variety of herbal material. Other uses could result in injury to the operator or damage to the bucker and other property. Injuries and property damage from buckers can be prevented by following all instructions in this manual and on the bucker. The most common hazards are discussed below, along with the best way to protect yourself and others.

Safety Precautions

Make sure all motors are off and power cords are unplugged before you begin any maintenance or repairs.
Read the instructions before you begin, and make sure you have the tools and skills required.

AVOID ROTATING PARTS

The HPTT Bucker can cause serious injury, cuts and even amputate fingers or hands. Keep hands, arms, and body away from the Cutters whenever the Bucker is running. Keep hair, clothing, and jewelry away from the Bucker. If you need to work around the Bucker to clear or clean plant material for any reason, always shut off the electric motor and disconnect the Bucker's power cord from the AC outlet. Use a wooden stick to remove any obstruction or debris. Never put your hand into the Bucker while the machine is running; serious personal injury could result.

CLEAR OPERATION AREA

Before operating the Bucker, carefully inspect the surrounding area and remove all hazards that could cause you to trip, slip, or fall into the Bucker. Anything which can fall into the Cutting Holes and be grabbed by moving parts is a potential hazard to you and others. Look for hazards and remove them from the work area. Tie back loose clothing and long, loose hair. Remove any and all jewelry.

KEEP GUARDS AND SHIELDS IN PLACE

Guards and Plates are designed to protect you from touching moving components. For your safety and the safety of others, keep all Plates in place when the Bucker is running.

TURN MOTOR OFF WHEN NOT OPERATING THE BUCKER

If you need to leave or step away from the Bucker for any reason, always make sure to turn the motor off.

OPERATE ON FLAT SURFACE

Do not operate on slopes. To avoid overturning, only operate the Bucker on flat surfaces. Control the Bucker carefully when transporting it across uneven ground or slopes. Do not push the Bucker down or across steep slopes: the Bucker could overturn, causing damage to the machine or injury to the operator and/or bystanders.

OPERATOR RESPONSIBILITY

Know how to stop the Bucker quickly in case of emergency. Understand the use of all Bucker controls. Never permit anyone to operate the Bucker without proper instruction. Do not let children operate the Bucker.

SERVICING YOUR BUCKER

The HPTT Bucker is a precision machine. It is essential that it be operated and maintained with this in mind. It's important to inspect the machine at initial start-up and after each use to ensure that no damage or plant material build-up has occurred. In addition, it is highly recommended to clean the machine after every day of use. This ensures that resin does not build-up and affect performance.

Proper maintenance is essential for safe, economical, and trouble free operation.

Other service tasks that are more difficult, or require special tools, are best handled by professionals and are normally performed by a CenturionPro technician or other qualified mechanic. The maintenance schedule applies to normal operating conditions. If you operate your Bucker under severe conditions, such as sustained high load or high temperature operation, or use it in unusually wet or dusty conditions, consult your servicing dealer for recommendations applicable to your individual needs and use.

Remember that an authorized Centurion Pro servicing dealer knows your Bucker best and is fully equipped to maintain and repair it. To ensure the best quality and reliability, use only new, Centurion Pro parts or their equivalents for repair and replacement.

NOTICE: Improper maintenance, or failure to correct a problem before operation, can cause a malfunction which can cause serious injury or death. Always follow the inspection and maintenance recommendations and schedules in this owner's manual.

**SAFE OPERATING PRECAUTIONS**

- Before operating the Bucker for the first time, please review both the BEFORE YOU START section and the Bucker SAFETY section.
- Even if you have operated other Buckers, to take time to become familiar with how the Centurion Pro works.
- Never operate Centurion Pro machines while under the influence of drugs, alcohol or prescriptions, including over-the-counter cold/flu/allergy medications.
- Protective clothing and eye and/or hearing protection should be worn during operation.
- For your safety, do not operate while wearing loose fitting clothing, jewelry, etc..
- Rotating machinery parts can entangle loose clothing, long hair or dangling jewelry resulting in serious injury or death.
- Long hair should be secured in a manner that keeps it away from mechanical parts.

UPGRADE - TABLETOP BUNDLE



**100%
HOME
GROWN**

TABLETOP BUCKER / TRIMMER BUNDLE

**NOW
AVAILABLE!**



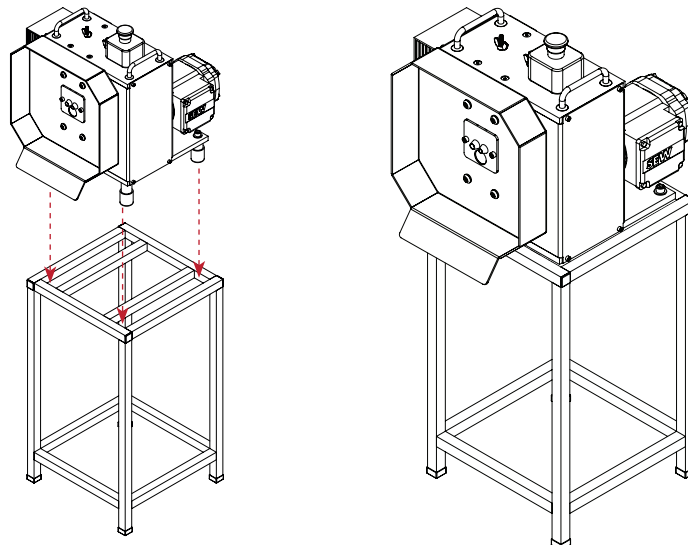
TABLETOP BUNDLE COMES STANDARD WITH MESH HOPPER, PLASTIC HOPPER SHOWN HERE IS AVAILABLE FOR AN ADDITIONAL COST.

STAND ASSEMBLY - UPGRADE

**STEP 1:
MOUNT BUCKER**

Place Bucker on Stand as shown in illustration.

**STEP 2:
PLUG IN AND
START BUCKING**



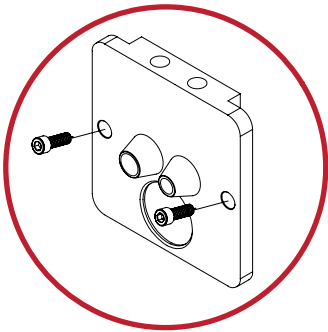
**NOW
AVAILABLE!**

CLEANING & MAINTENANCE

* Ensure machine is unplugged before cleaning.
Avoid getting bearings and motor wet.

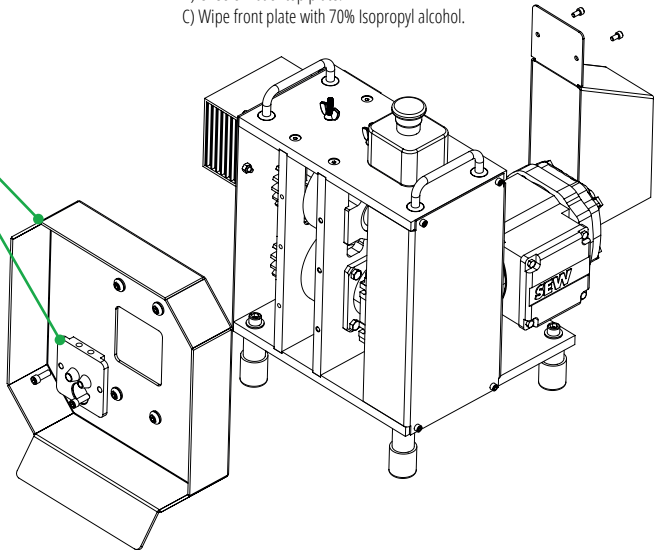
STEP 1: REMOVE CUT PLATE.

- Unscrew 2- 3/16" bolts from the front Cut Plate to remove.
- Wipe Cut Plate with 70% Isopropyl alcohol.



STEP 2: REMOVE FRONT & BACK TOP PLATES.

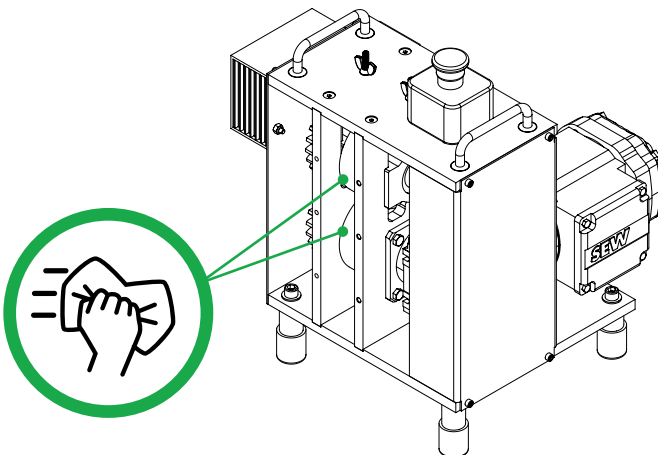
- Unscrew 8 - 3/16" bolts to remove faceplate.
- Unscrew back top plate.
- Wipe front plate with 70% Isopropyl alcohol.



STEP 3: CLEAN ROLLERS.

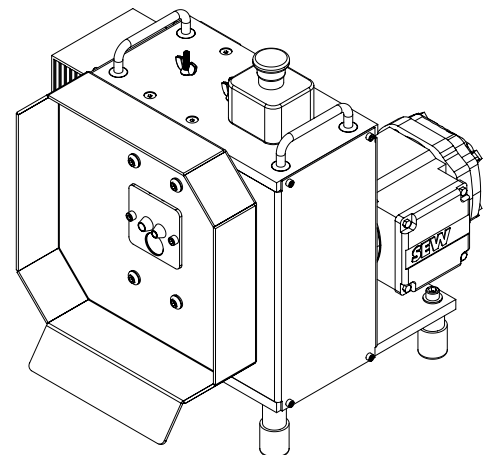
- Clean out any debris within the Bucker.
- Wash Rollers with hot water and soap. Avoid bearings, gears and motor.
- Wipe down using a soft cloth, making sure the machine is completely dry.

* If needed repeat this step until completely clean. A nylon brush scraper may be used for stubborn areas.



STEP 4: REASSEMBLE BUCKER.

Re-assemble bucker in reverse order, checking that all bolts and screws are tightened.



**LEARN
HOW NOW**

**FOR OPTIMAL PERFORMANCE AND LIFE, THE BUCKER
MUST BE CLEANED AFTER DAILY USE.**

GENERAL OPERATIONS

PREPPING YOUR PLANT: 2 STEPS FOR OPTIMAL PROCESSING

1) ENVIRONMENT PREPARATION

- Ensure adequate space
- Review electrical requirements
- Have adequate bins for product transport
- Cooler temperatures (below 15 ° C) in processing room is beneficial

2) PLANT PREPARATION

- Cut main stalk
- Separate each individual stem (no 'Y' junctions)
- Leave 3" of stem for clearance into machine
- Ensure clean angled cuts for precise feeding
- Keep prepped product stem side up for efficiency
- Size the stem to fit the ideal hole
- Feed end first into machine
- Use variable speed control to adjust flow

CLEANING

A thorough cleaning of the HP Tabletop Bucker should be performed after each use. Any resin build-up on the machine attracts more resin, compounding the problem. Build-up can cause decreased performance, overheating and could trip your circuit breaker. Future cleaning also becomes more difficult if build-up is given a chance to dry out and harden. Operating the HP Tabletop Bucker in a cold environment will also reduce resin build-up.

After removing front and back plates, rollers can be cleared using hot water, or wiped with 70% isopropyl alcohol. Repeat 2-3 times to soften the resin, then remove debris. Any stubborn areas, may require scrubbing with a plastic scraper (do not use a metal scraper). Plant matter build-up is the most obvious sign that more attention is needed in a particular area. Dry the machine with compressed air or a soft cloth.

Directions for cleaning:

1. Make sure Bucker is turned off
2. Using provided tools, remove Front Plate and Back top plate
3. Wipe down front plate liberally with 70% isopropyl alcohol
4. Wipe down using a soft cloth, making sure the machine is dry completely
5. Clear out any debris from within the Bucker
6. Spray rollers liberally with 70% isopropyl alcohol
7. Wipe down using a soft cloth, making sure the machine is dry completely
8. Reassemble according to "Cleaning and Maintenance" section

MATERIALS NEEDED

- Brush / Plastic scraper
- Spray bottle filled with 70% isopropyl alcohol
- Soft cloths

INSPECTION

Inspection of the HP Tabletop Bucker should be conducted prior to each use following these steps:

1. Unplug the Bucker and visually inspect all of the components for wear, damage and plant matter build-up
2. Remove the front plate and back top plate. See "Cleaning and Maintenance" section for instructions
3. Inspect the rollers for damage or cracking
4. Ensure the rollers spins freely
5. Visually inspect the blower and ensure the Bucker is free of loose debris

MACHINE MAINTENANCE

The HP Tabletop Bucker is a precision machine. It is essential that it is operated and maintained with this in mind. The machine has been adjusted and tested by the manufacturer prior to shipping to ensure optimal performance. However, it is important to inspect the machine at initial start-up and after each use to ensure that no damage or plant material build-up has occurred and that the rollers spin freely.

In addition, it is highly recommended to clean the machine at the end of every use. This ensures that resin does not build-up and affect performance. This is especially important if the machine has been stored for an extended period of time.

Resins and other plant by-products will build up and harden, becoming difficult to remove.

NOTE

- There are a series of holes located on the front of the top plate for bucking
- Stems are fed through the holes of the machine by hand
- Each plant must have 3 inches of base stem to clear the buckers
- Please note all strains run differently and denser strains may need the top colas taken off before being run through the machine.



**LEARN
HOW NOW**

TROUBLESHOOTING

1) MOTOR IS VERY HOT

The motor is designed to operate at higher temperatures, avoid contact with the motor during regular operation. The motor is thermally fused and will shut down automatically if overheating occurs

2) MACHINE IS JAMMED, OR MISFED WITH PLANT MATTER

This can happen when too large of a branch is put through the machine. To clear obstruction, open Face Plate and remove the jam.

3) THERE IS A GRINDING SOUND COMING FROM THE MACHINE

This can be Caused by worn out bearings, misaligned gears or improperly installed components. We recommend contacting tech support for assistance.

techsupport@cprosolutions.com

4) THE PULL FORCE SEEMS WEAK

This could be caused by excessive debris build-up in the rollers. Disassemble, clean and inspect machine to determine the issue.

5) ROLLERS ARE SLIPPING

Slipping occurs if the motor reaches it's torque limit, or the roller friction has been reduced. Roller friction can be reduced by feeding excessively wet material or if any lubricants accidentally get on the roller. Check to see if the rollers are dry and clean.

6) DOES THE HP TABLETOP BUCKER WORK BEST WITH A PARTICULAR STRAIN?

The HP Tabletop Bucker can handle any strain but please note that all strains run differently and denser strains may need the top colas taken off before being run.

7) DOES THE STEM HAVE TO BE A CERTAIN LENGTH TO FEED TO THE BUCKER?

Yes, there must be 3 inches of base stem to clear the cutters.

8) DO I NEED A SPECIAL OUTLET FOR THE BUCKER?

CenturionPro Buckers can be plugged into any standard 110V wall outlet (220V AUS/EU).

9) WHAT SPEED SHOULD I USE FOR WET MATERIAL?

We recommend a faster speed for wet product and a slower speed for dry.



**LEARN
HOW NOW**

FOR ALL OTHER ISSUES, PLEASE EMAIL techsupport@cprosolutions.com, WE WOULD BE HAPPY TO HELP YOU.

FREQUENTLY ASKED QUESTIONS

HOW EASY IS IT TO CLEAN?

Our machines can be taken apart and cleaned within 10-15 minutes. The Bucker must be cleaned after daily use. Just spray the rollers liberally with isopropyl alcohol, then wipe with a soft cloth. We recommend to clean after each use. We know the importance of down time during a harvest so we wanted to make this process extremely quick and easy.

WHAT IS THE OPTIMAL ROOM TEMPERATURE TO BUCK?

Use your CenturionPro Bucker in 50-60 °F (10- 15 °C) room to get the best performance. Cooler temperatures prevent excessive sticking to machine components.

DO YOUR BUCKERS PROCESS WET OR DRY PRODUCT?

The answer is both. CenturionPro Buckers can process both wet and dry product. See the Plant Prepping 101 section for more details.

ARE YOUR MACHINES BUILT TO AN INDUSTRIAL STANDARD?

We do not compromise quality for cost savings. All CenturionPro Solutions machines are composed of the highest quality materials available in North America and each machine is put through a comprehensive quality control inspection. We only use brand name components in the build out of our Bucker machines which enables us to have the comfort in giving you a 2 year warranty. With proper maintenance these machines will last you well over a decade.

MY MACHINE IS NOT WORKING LIKE IT DID WHEN IT WAS NEW, WHY?

Make sure to fully clean the machine and rollers. If the machine is clean and the rollers are free of debris, then your machine should buck exactly like it was new.

RETURN/REFUND POLICY


Once the machinery/parts are opened and/or used they are no longer eligible for refund or exchange. Customers can only return if written notice of return has been provided to CenturionPro Solutions within 7 days of receiving their machine and the machine or any component of which have not been used. There will be a 20% restocking fee and the customer will be responsible for all shipping costs. Returns must be packaged same as it arrived and CenturionPro is not liable for any shipping damage incurred on return. If damage occurs in transit on return, CenturionPro will refuse the return and customer will need to process a claim with their shipping provider. Any missing or damaged items must be reported to CenturionPro within 14 business days of receiving the shipment.


**WE ARE OPEN MONDAY THROUGH FRIDAY FROM 9AM TO 5PM PST - PH: 1-855-535-0558
FILLING OUT THE "CONTACT US" FORM ON THE WEBSITE, IS ANOTHER SURE WAY TO GET IN TOUCH.**



CENTURIONPRO

ELITE TRIMMING TECHNOLOGIES

 cprosolutions.com

 1 855 535 0558

 sales@cprosolutions.com

FOLLOW US ON:

