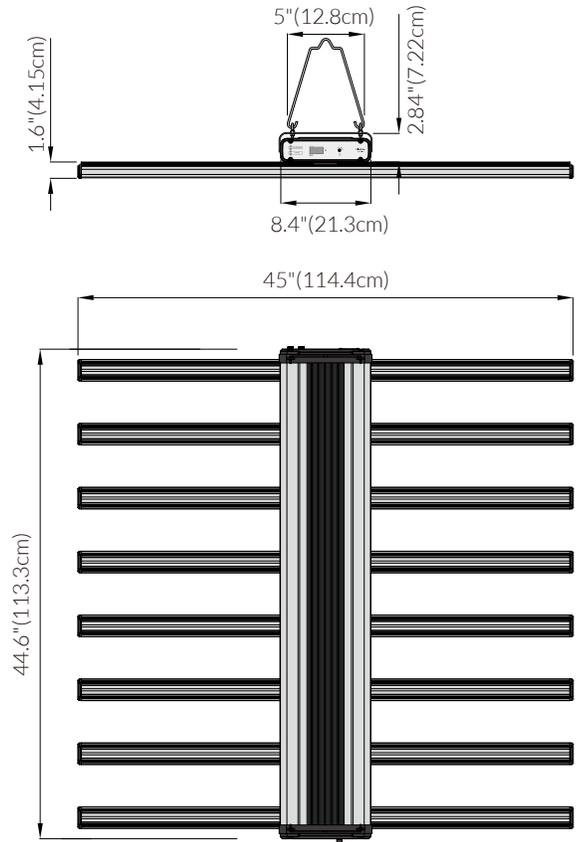


◆ SPECIFICATIONS

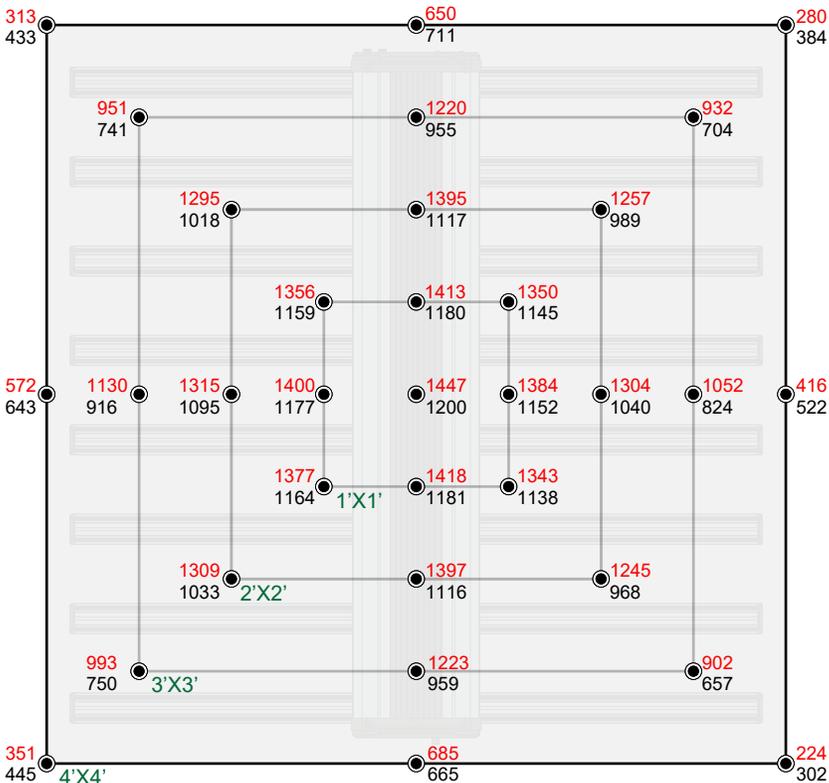
|                            |  |
|----------------------------|--|
| PPF:                       | > 1600 $\mu\text{mol/s}$                         |
| Efficacy:                  | > 2.6 $\mu\text{mol/J}$                          |
| Input Power:               | Max 630W (Full Spectrum) / 20W (Far Red)         |
| Power Factor:              | $\geq 90\%$                                      |
| Fixture Dimensions/Weight: | 45"L x 44.6" W x 4.44" H / 38.8 lbs              |
| Mounting Height:           | > 6" (15.2cm) Above Canopy                       |
| Lifetime:                  | L90 : > 54,000 hrs                               |
| Warranty:                  | 5 Years Standard Warranty                        |
| Input Voltage:             | Autosensing 100-277 V                            |
| Amp Draw:                  | 120V/5.26A, 208V/3.16A<br>240V/2.68A, 277V/2.38A |
| Group Control:             | YES  |

◆ DIMENSIONS



◆ MODEL-W (Tested at 6" / Tested at 12")

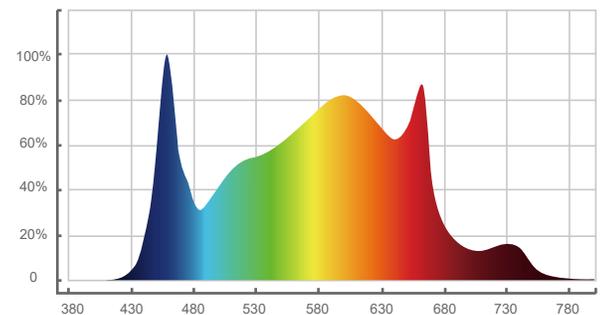
Average PPFD 1042/ 894



◆ FEATURES

- OUTSTANDING EFFICIENCY
- PLUG AND PLAY
- ON-BOARD DIMMING
- FULL SPECTRUM DESIGN
- INDEPENDENT FAR RED CHANNEL
- EXTERNAL CONTROLLABILITY
- GROUP CONTROL
- SAMSUNG LM301B

◆ SPECTRUM



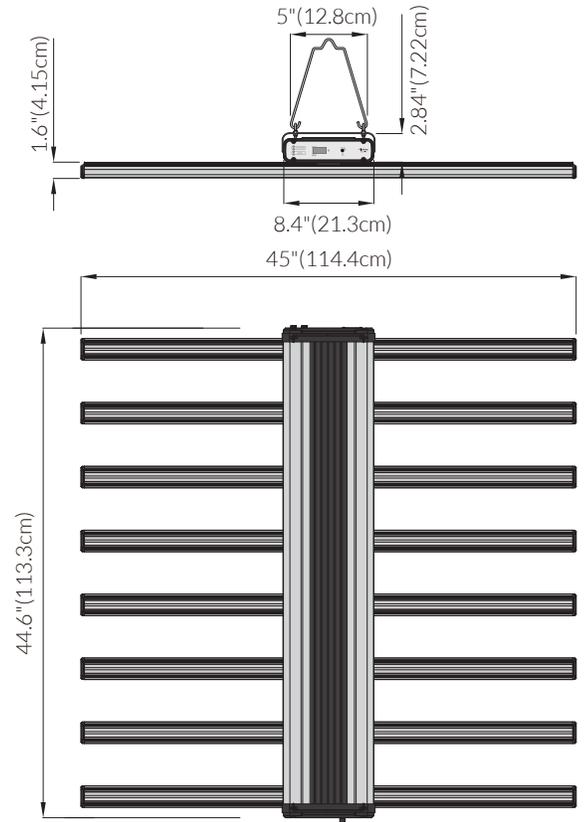
# MODEL-W (480V)

## HORTICULTURE LED GROW LIGHT

### SPECIFICATIONS

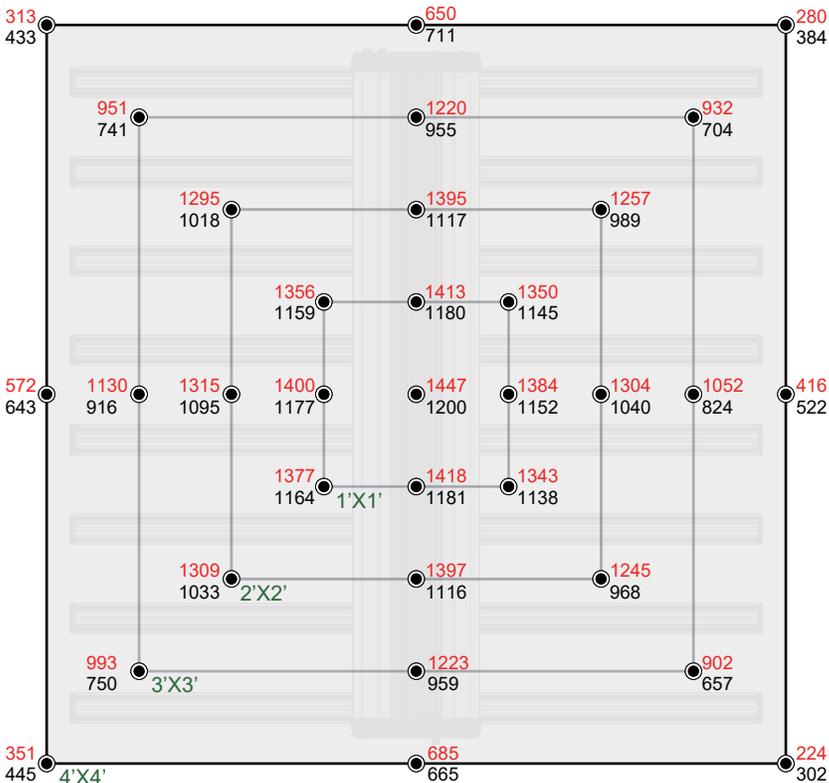
|                            |  |
|----------------------------|--|
| PPF:                       | > 1600 $\mu\text{mol/s}$                 |
| Efficacy:                  | > 2.6 $\mu\text{mol/J}$                  |
| Input Power:               | Max 630W (Full Spectrum) / 20W (Far Red) |
| Power Factor:              | $\geq 90\%$                              |
| Fixture Dimensions/Weight: | 45"L x 44.6" W x 4.44" H / 38.8 lbs      |
| Mounting Height:           | > 6" (15.2cm) Above Canopy               |
| Lifetime:                  | L90 : > 54,000 hrs                       |
| Warranty:                  | 5 Years Standard Warranty                |
| Input Voltage:             | Autosensing 347-480V                     |
| Amp Draw:                  | 347V/2.12A, 480V/1.75A                   |
| Group Control:             | YES                                      |

### DIMENSIONS



### MODEL-W (Tested at 6" / Tested at 12")

Average PPFD 1042/ 894



### FEATURES

- OUTSTANDING EFFICIENCY
- PLUG AND PLAY
- ON-BOARD DIMMING
- FULL SPECTRUM DESIGN
- INDEPENDENT FAR RED CHANNEL
- EXTERNAL CONTROLLABILITY
- GROUP CONTROL

### SPECTRUM

