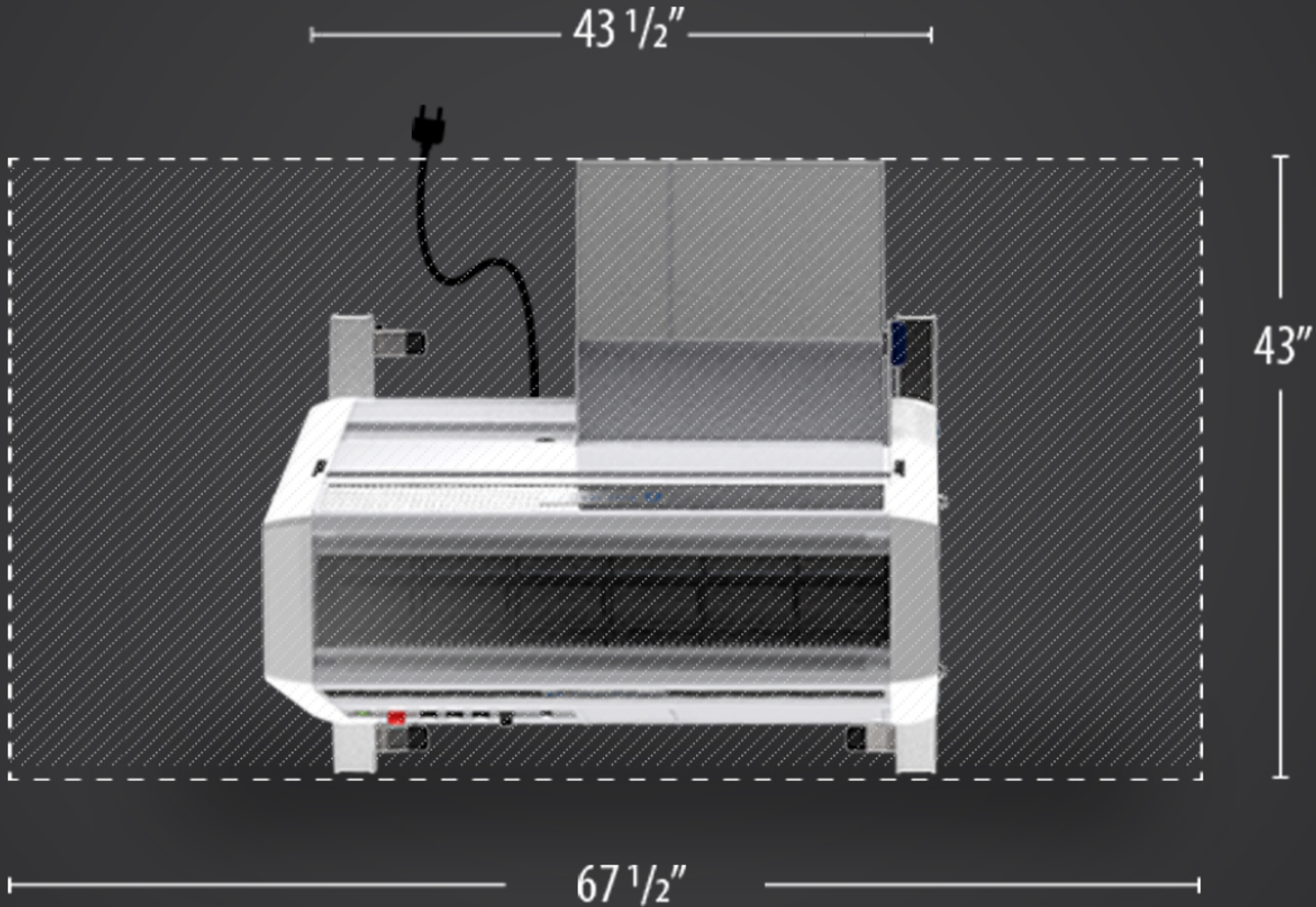


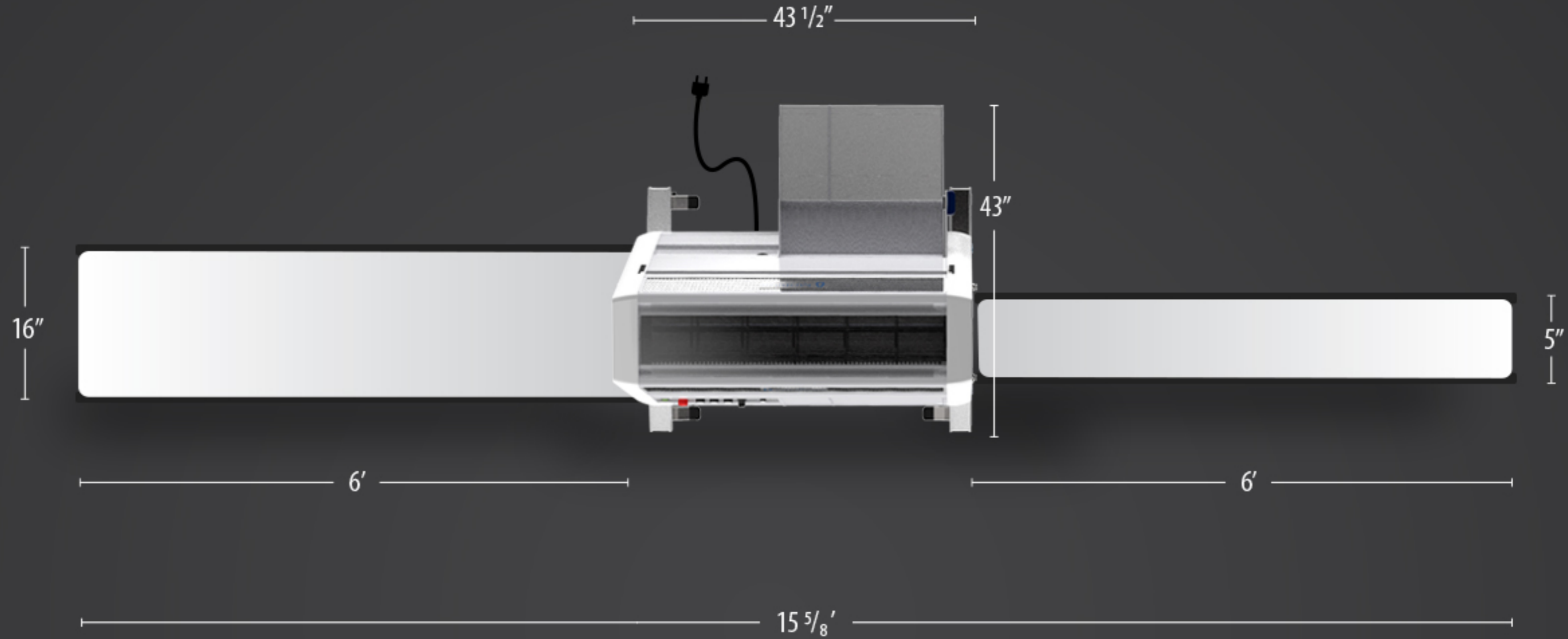
MOBIUS
TRIMMER
TOP VIEW

FOOTPRINT	
MOBIUS M108:	13 SQ FT
OTHER TRIMMERS:	20 SQ FT

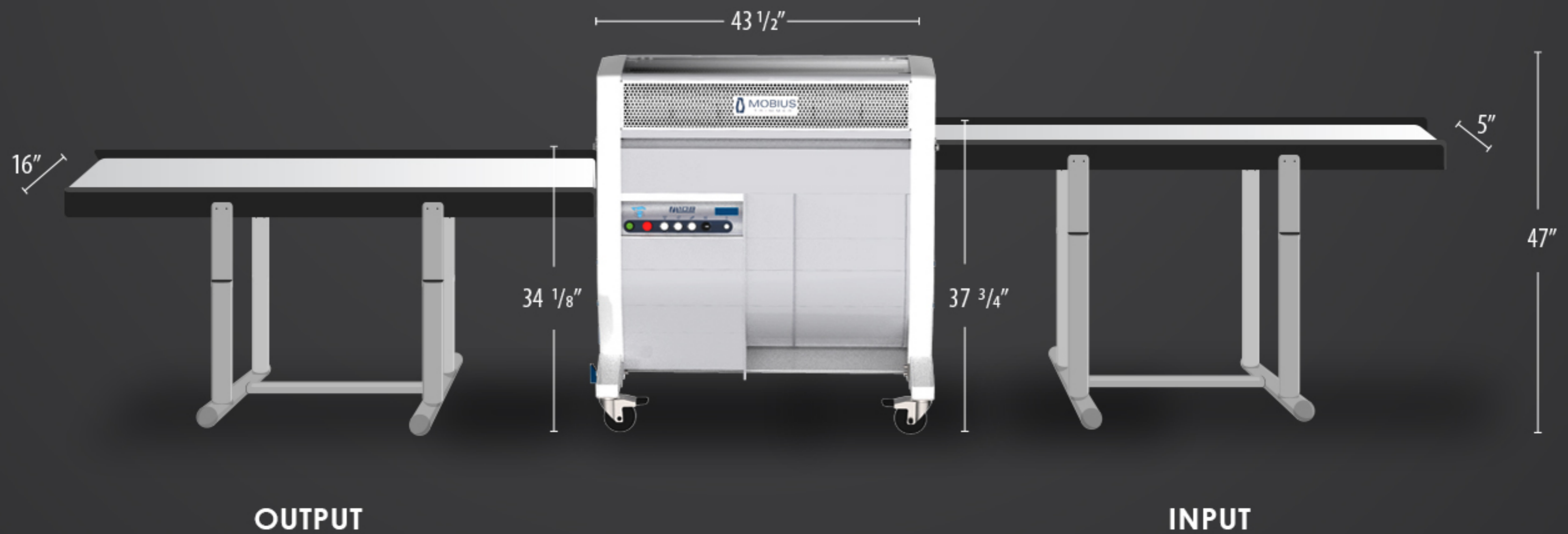


FLOORSPACE REQUIRED FOR 1 M108 VS A COMPARABLE ALTERNATE TRIMMING MACHINE.

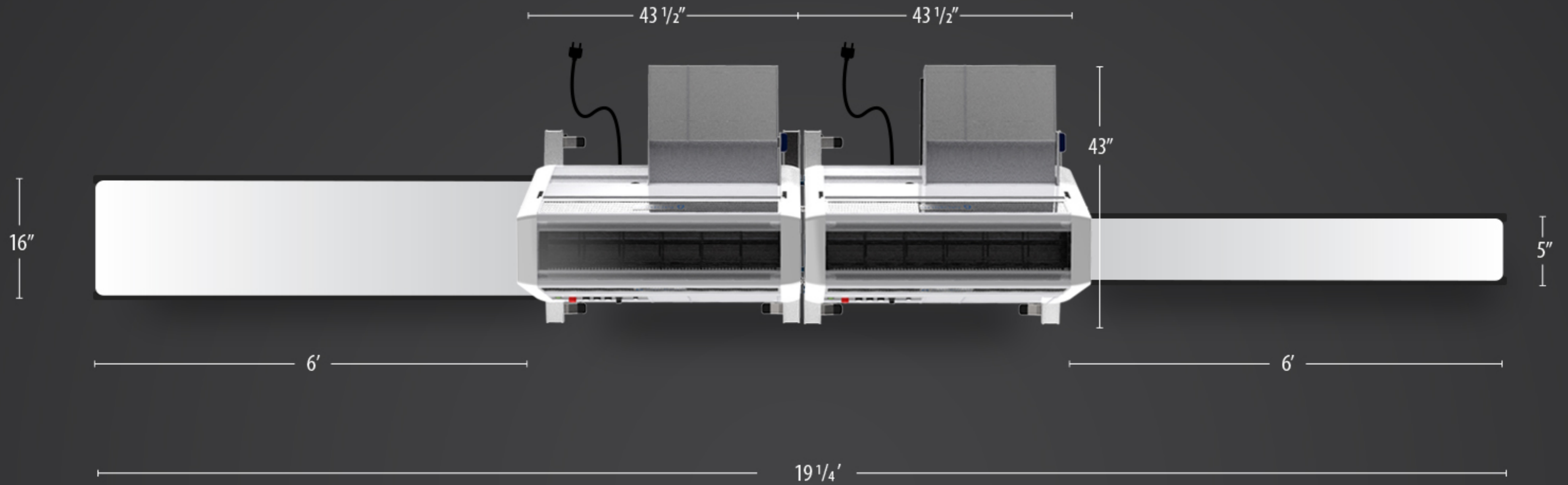
TOP VIEW



FRONT VIEW



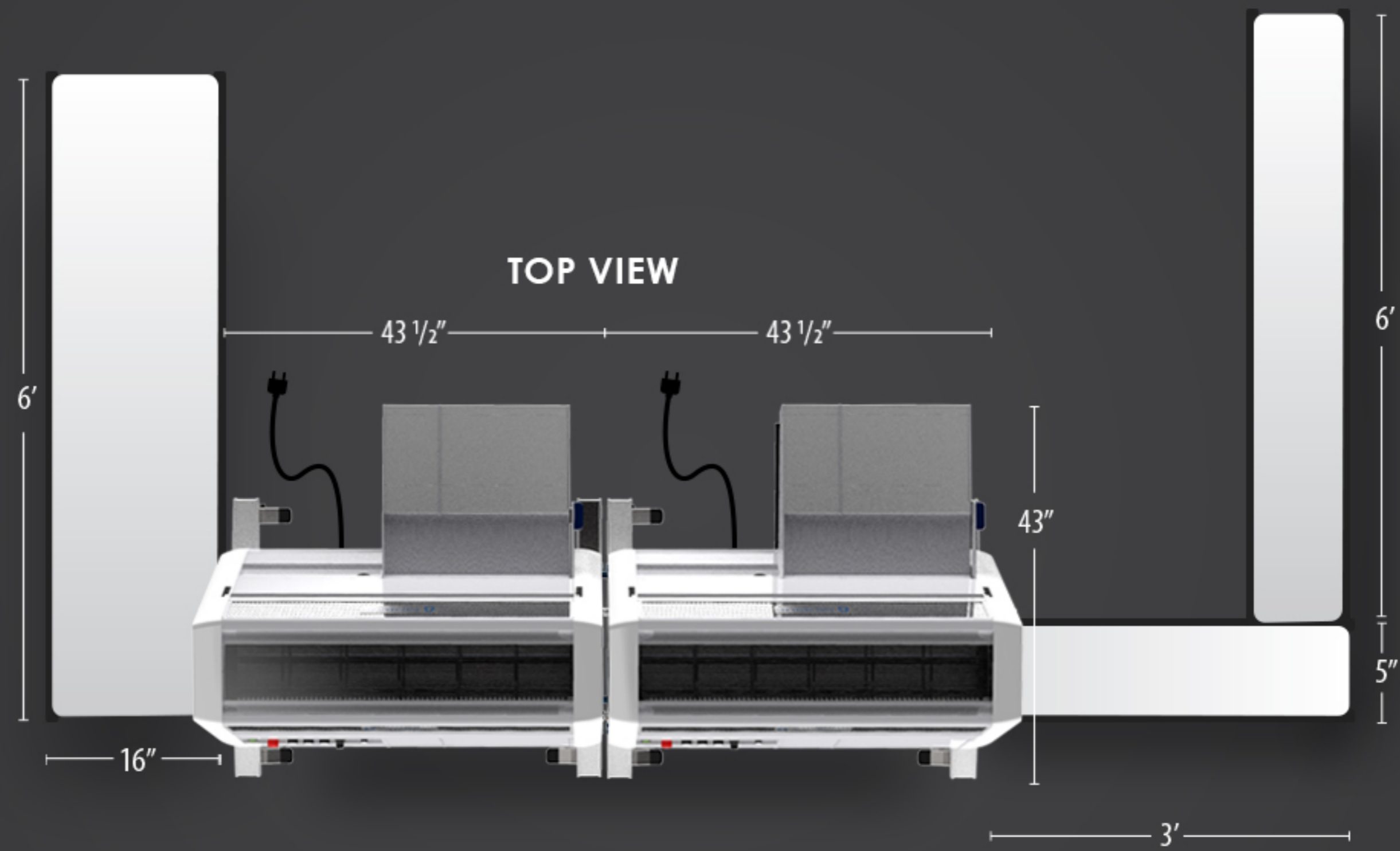
TOP VIEW



FRONT VIEW



MEASUREMENTS FOR TWO M108 MACHINES IN TANDEM WITH INPUT AND OUTPUT CONVEYORS.



TOP VIEW

