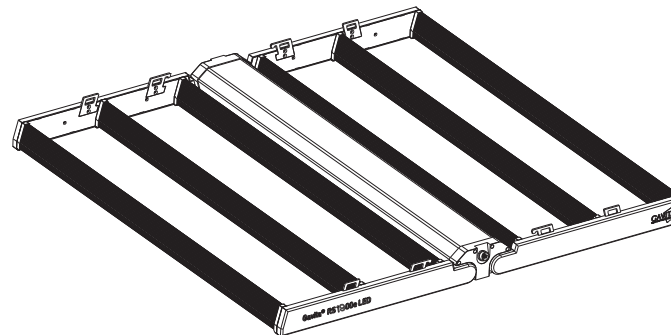
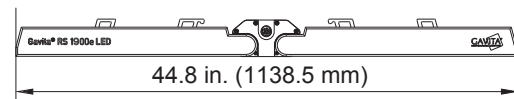
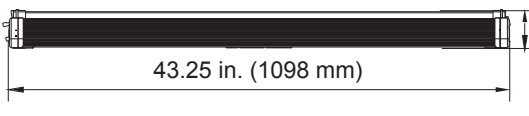
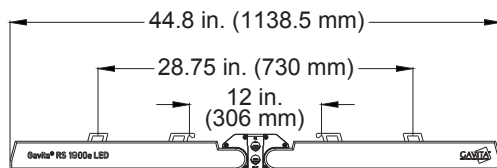
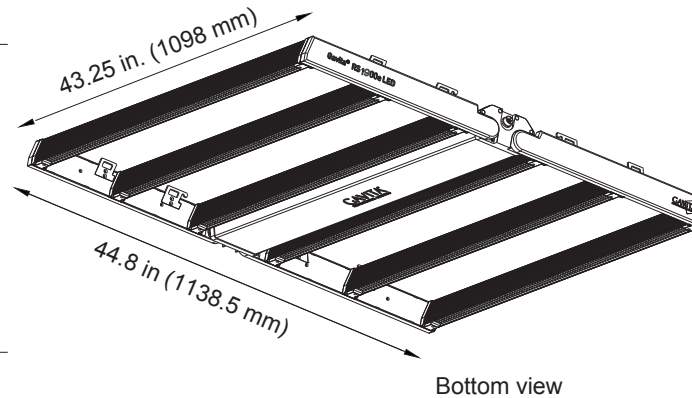
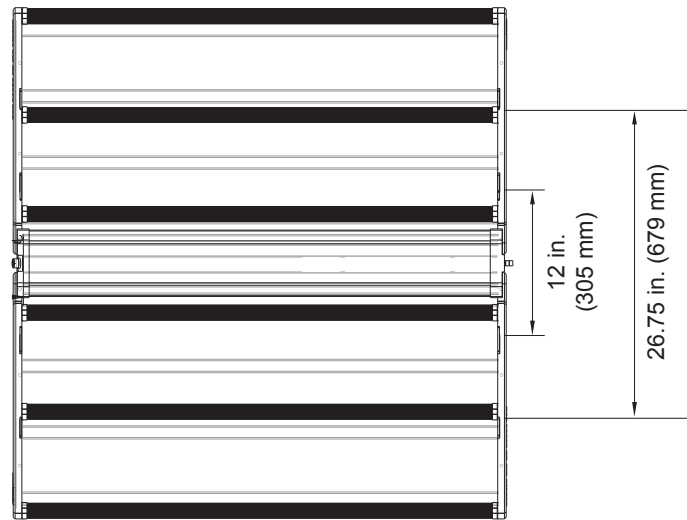


# Gavita® RS 1900e LED 208-480 V

Item #HGC906410



## SPECIFICATIONS



Top view



<b>INPUT VOLTAGE:</b> 208-480 V	
<b>INPUT WATTS:</b> 650 W	
<b>HEAT LOAD:</b> 2,184 Btu/hr*	
<b>CURRENT:</b> 3.12 - 1.35 A	
<b>FREQUENCY:</b> 50/60 Hz	
<b>POWER FACTOR (cosφ):</b> > 0.95	
<b>MAX AMBIENT TEMP:</b> 104° F (40° C)	
<b>ENVIRONMENTAL RATING:</b> IP66	
<b>MOUNTING:</b> Wire Hangers and Gavita® Rail System Hanging Bracket	
<b>DIMMING COMMUNICATIONS:</b> RJ45 0-10V	
<b>DIMMING:</b> 0%-100%	
<b>WEIGHT:</b> 29.8 lb	<b>DIM:</b> 44.8 in x 43.25 in x 3.3 in
<b>CERTIFICATIONS:</b> Conforms to ANSI/UL STD 1598. Certified to CSA STD C22.2 No. 250.0. Conforms to ANSI/CAN/UL STD 8800.	
<b>WARRANTY:</b> 5 Years**	

\*Please consult HVAC Expert to calculate total heat load in your grow space.

\*\*When purchased from an authorized Hawthorne dealer, this product is covered by a LIMITED WARRANTY, available at [hawthornegc.com/warranties](http://hawthornegc.com/warranties). You can also obtain the Terms of Sale and Limited Warranty by calling Hawthorne toll-free at 1-888-478-6544 or writing Hawthorne at: Hawthorne Hydroponics LLC, 800 Port Washington Blvd. Port Washington, NY 11050, Attn: Customer Service.



This document is not intended to be used for installation purposes. We cannot cover all specific applications or anticipate all requirements. All specifications are subject to change without notice.

HawthorneGC.com | Canada: HawthorneGC.ca

©2023. World rights reserved.

HGC906410 Gavita® RS 1900e LED 208-480V Spec-Sheet-Last Updated 230927 aSD