


Pro line


Gavita® Pro RS 2400e LED


1 Introduction

Thank you for purchasing the Gavita® Pro RS 2400e LED. This manual describes the mounting, installation, and use of the product. Mounting and installing of the LED fixture may only be performed by certified service personnel. Please read and understand this manual completely before using the product. Only use the product as specified in this manual.


1.1 Used Symbols

 **Warning!** A warning indicates severe damage to the user and/or product may occur when a procedure is not carried out as described.


 **Caution!** A caution sign indicates problems may occur if a procedure is not carried out as described. It may also serve as a reminder to the user.


 **Note:** A note gives additional information, e.g. for a procedure.

 This symbol is an internationally recognized symbol used to designate recyclable materials.

 This symbol is an authorized use mark employed on electronic products manufactured or sold in the United States, which indicates that the electromagnetic emissions from the device have been measured to be under the limits published by the Federal Communications Commission. The FCC logo is a mark that declares that the equipment is authorized to market and operate under the FCC's SDOC procedure.

 This symbol shows that a product has been independently tested and certified to meet recognized standards for safety.

 The symbol on the material, accessories or packaging indicates that this product may not be discarded as household waste. By properly disposing the equipment, you will be helping to prevent possible risks to the environment and public health, which might otherwise be caused by improper handling of the discarded equipment. Recycling of materials contributes to the conservation of natural resources. Therefore, please do not dispose of old electronics and electrical appliances via household waste.


 This symbol indicates the minimum distance (B) between the LED fixture (A) and the lit surface.

2 Product description

The Gavita® Pro RS 2400e LED is an electronic horticultural LED fixture. It drives eight LED rails. The Gavita® Pro RS 2400e LED is intended to be used in greenhouses or in climate rooms. In this manual, the Gavita® Pro RS 2400e LED will be referred to as: "the LED fixture".

Photobiological Safety

 **Caution!** Possibly hazardous optical radiation emitted from this product.

 **Attention!** Rayonnement optique potentiellement dangereux émis par ce produit.

Photobiological safety assessment: Risk Group 1

Évaluation de la sécurité photobiologique: Groupe de risque 1

3 Product information and specifications

3.1 General product information

Product name	Gavita® Pro RS 2400e LED 120-277 V
Manufacturer	Hawthorne Gardening Company
Part number	HGC906052
UPC	849969000351
Plug type (sold separately)	NEMA 5-15P / NEMA 6-15P / Open end cable

3.2 Technical specifications

Product name	Gavita® Pro RS 2400e LED 120-277 V
Input voltage +/- 10%	120-277 V
Input wattage +/- 7%	800 W
Input current at 100%	6.7 A - 2.89 A
Power factor	>0.95
Product weight	36.2 lb / 16.4 kg
Dimensions (LxWxH)	43.25 x 44.8 x 3.3 in / 109.9 x 113.8 x 8.4 cm
Operating temperature	0-50° C
Frequency	50/60 Hz
Certification standards	Conforms to ANSI/UL STD 1598. Certified to CSA STD C22.2 No. 250.0. Conforms to ANSI/CAN/UL STD 8800.
Power inlet	Wieland RST 16i5 connector
External dim:	Gavita Master controller analog protocol (0-11.5V)
External control signal:	RJ connector (8P6C)
Environment	This product is suitable for indoor wet environments

3.3 Compatible products and accessories (sold separately)

Product	Product name	Gavita® part number
Controllers <i>Unit will function with EL3</i>	Gavita™ EL3 Master controller	HGC906174
Power cords	Gavita™ 8 ft Power Cord 120 Volt for Gavita® LED	HGC906147
	Gavita™ 8 ft Power Cord 208-240 Volt for Gavita® LED	HGC906148
	Gavita™ 8 ft Power Cord 277-400 Volt for Gavita® LED	HGC906458
	Gavita™ 8 ft Power Cord 277 Volt Twist Lock Plug for LED	HGC906182
Interconnect cables	Gavita™ e-Series LED Adapter Interconnect Cable 2.5ft RJ45 to RJ45	HGC906710
	Gavita™ e-Series LED Adapter Interconnect Cable 10ft RJ45 to RJ45	HGC906711
	3 way RJ45 cable splitter	HGC906721
Light hangers	Wire Hangers	MS5063
	Gavita® Rail System Hanging Bracket	HGC906743
Power Accessories	Gavita® Daisy Chain T-Splitter	HGC906708

3.4 Environment

The product is intended to be used in greenhouses and climate rooms. The product is suitable for indoor wet environments. This product may not be used outdoors. This luminaire is suitable for operation in an ambient not exceeding 50°C. This should be the maximum sustained temperature of the installed environment (ambient temperature) that will ensure safe operation of the lighting equipment. To prevent sustained temperatures above a 50°C ambient a mechanical ventilation or cooling system is required to maintain the temperature within the growing space at or below 50°C when the luminaire is in operation.

Legal

This equipment has been tested and found to comply with the limits for a Class A digital device, pursuant to part 15 of the FCC Rules. These limits are designed to provide reasonable protection against harmful interference when the equipment is operated in a commercial environment. This equipment generates, uses, and can radiate radio frequency energy and, if not installed and used in accordance with the instruction manual, may cause harmful interference to radio communications.

Operation of this equipment in a residential area is likely to cause harmful interference in which case the user will be required to correct the interference at his own expense.

⚠ Caution! Changes or modifications not expressly approved by the party responsible for FCC compliance could void the user's authority to operate the equipment. Conforms to ANSI/UL 1598 and Certified to CSA C22.2 No. 250.0 and ANSI/CAN/UL 8800.

4 Safety recommendations and warnings

⚠ Warning! Carefully read the warnings below before using or working with the product!

- Always adhere to the local rules and regulations when installing or using the LED fixture.
- Do not open or disassemble the LED fixture, it contains no serviceable parts inside. Opening or modifying the LED fixture can be dangerous and will void the warranty.
- This product may cause interference to radio equipment and should not be installed near maritime safety communications equipment or other critical navigation or communication equipment operating between 0.45 - 30 MHz.
- Do not use the LED fixture when either the LED fixture or its power cord are damaged. Replace the power cord only with original certified cords.
- Modifications to the cords can lead to unwanted electromagnetic effects, which makes the product not comply with legal requirements.
- Do not expose the LED fixture to:
 - (ambient) temperatures outside the specified range;
 - dust and contamination;
 - direct sunlight during use or other heat source that could heat up the driver.
- Always disconnect the LED fixture from mains before performing any maintenance.
- Always allow for a cool down period of at least 30 minutes before touching the LED rails. Touching the LED rails when the fixture is lit or immediately afterwards can result in severe burns!
- Do not use the LED fixture near flammable, explosive or reactive substances. Do not use sulfur vaporizers or water misters.
- The installation and use of the LED fixture is the responsibility of the end user. Incorrect use or installation can lead to failure and damage to the LED fixture. Damage to the LED fixture and electronic circuitry as a result of incorrect installation and use voids the warranty.

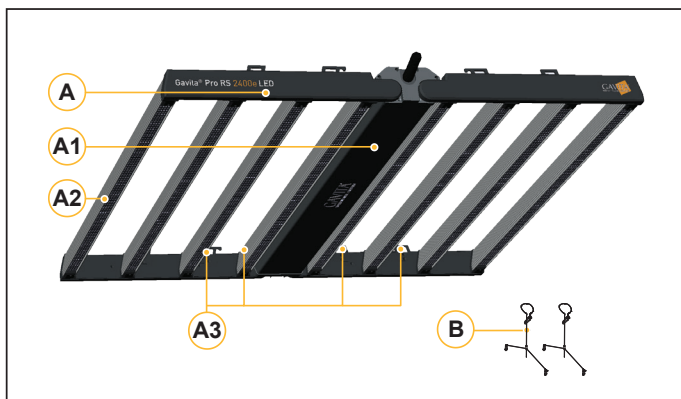
5 Contents (1)

A. Gavita® Pro RS 2400e LED

1. LED drivers
2. LED rails
3. Mounting points

B. Wire Hangers (2x)

(Power cord sold separately).



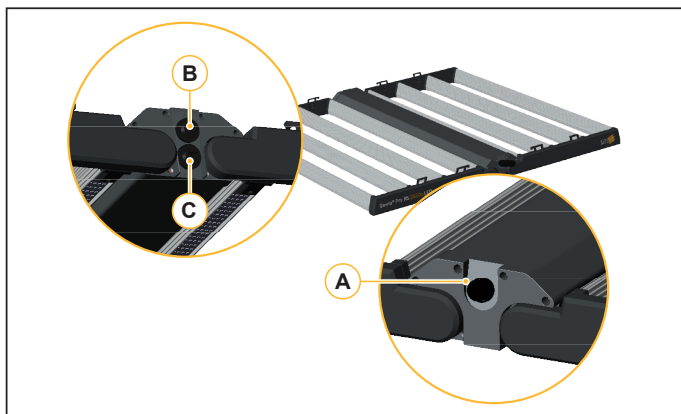
1.

6 Controls, connections and indications (2)

A. Wieland RST 16i5 male connector

B. Communication IN Port

C. Communication OUT Port



2.

7 Installation

⚠ Caution! PROPRIETARY WIRING SYSTEM. Use Hawthorne cord set model HGC906147, HGC906148, or HGC906458 only for connection from the luminaire power inlet to a standard junction box for power connection.

⚠ Attention! SYSTÈME DE CÂBLAGE PROPRIÉTAIRE. Utilisez le jeu de cordons Hawthorne modèle HGC906147, HGC906148 ou HGC906458 uniquement pour la connexion de l'entrée d'alimentation du luminaire à une boîte de jonction standard pour la connexion électrique.

⚠ Warning! Mounting and installing of the LED fixture may only be executed by certified service personnel, in accordance with the applicable local laws and regulations.

⚠ Warning! The installer is responsible for correct and safe installation.

⚠ Warning! Ensure the local cabling can support the voltage and current requirements of the LED fixture.

⚠ Warning! Avoid coiled cords and keep mains leads separated. This prevents electromagnetic interference.

⚠ Warning! Do not connect or disconnect the LED fixture under load.

7.1 Installation preparations

⚠ Warning! Mount the system to something that can hold the weight of the LED fixture.

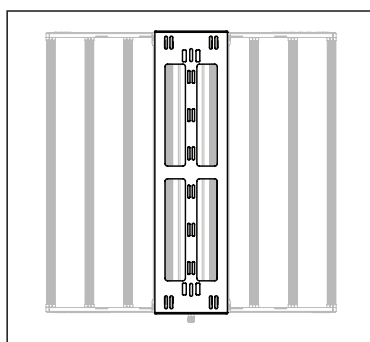
- Switch off mains power.
- Install the Gavita Rail System Hanging Bracket (fig. 3) (sold separately). Or install the Wire Hangers (fig. 1B).
- Make sure power cords:
 - 1) Are not concealed or extended through a wall, floor, ceiling, or other parts of the building structures
 - 2) Are not located above a suspended ceiling or dropped ceiling.
 - 3) Are not permanently affixed to the building structure.
 - 4) Are routed so that they are not subject to strain and are protected from physical damage.
 - 5) Are visible over their entire length.
 - 6) Are used within their rated ampacity as determined for the maximum temperature of the installed environment specified in the instructions.

Installing the LED fixture

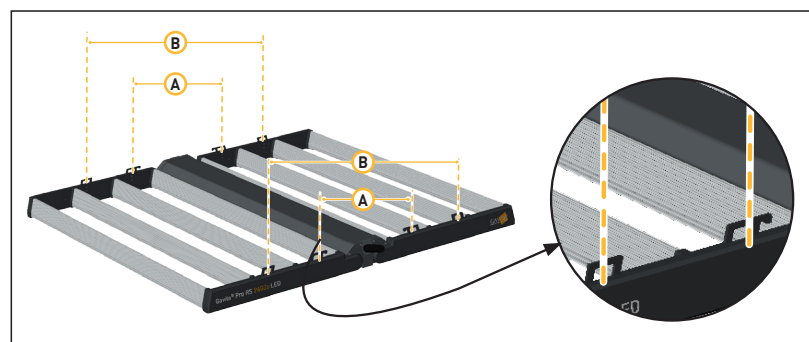
The Gavita Pro RS 2400e offers multiple mounting points for increased versatility. When using the Gavita Rail System Hanging Bracket (fig. 3) (sold separately), use the innermost mounting point (fig. 4A). If utilizing Sungrips ratchet style rope hangers, included mounting hardware, or hanging from a single point; utilize the outermost mounting point (fig. 4B). Note: when mounting from a single point, utilizing the outermost mounting points will allow the fixture to completely unfold and remain flat.

- Hang the LED fixture to the mounting system.
- Distribute weight evenly and ensure the LED fixture is the appropriate distance above crop height (fig. 5).
- If using the LED fixture as a stand-alone device, continue to Section 7.4.
- If using the LED fixture with a Master Controller, continue to Section 7.3.

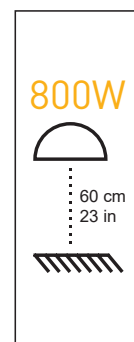
To install additional LED fixtures, repeat sections 7.1 and 7.2 for each device.



3.



4.

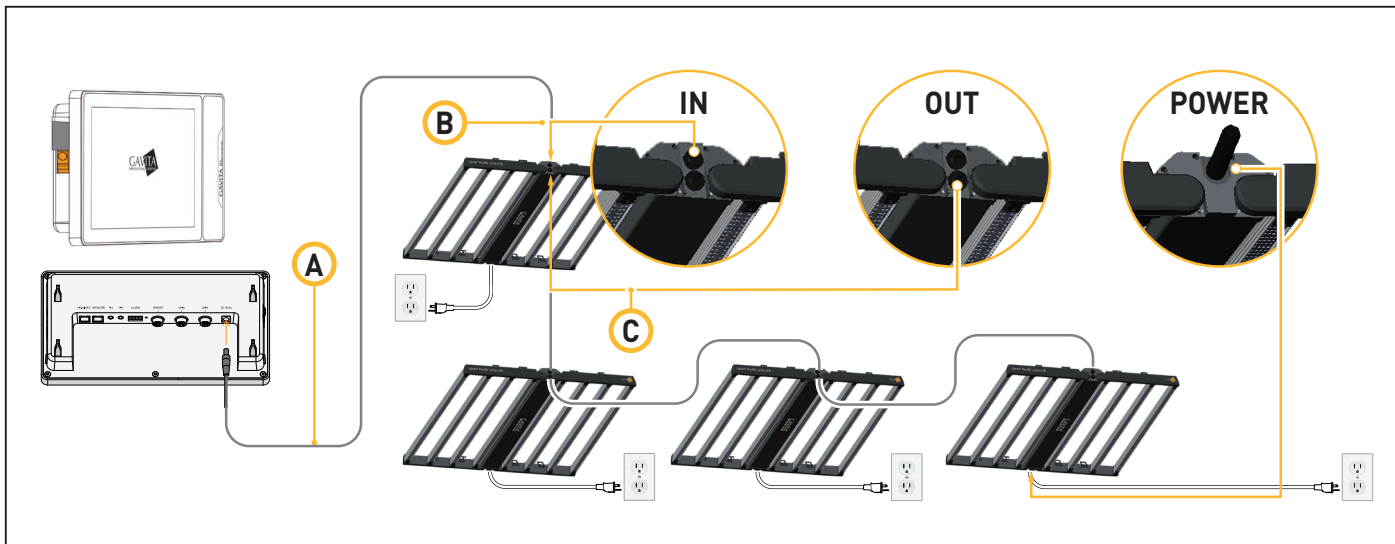


5.

7.2 Connecting up to 512 LED fixtures

- Remove the dummy plug from the input port on the first LED.
- **Note: Keep the dummy in a safe place!** The dummy is necessary to operate the LED fixture in standalone mode.
- Use the controller cable (RJ45 to RJ45) (fig. 6A) to connect the controller input port (fig. 6B) on the first LED.
- Remove the dummy from the input port on the second LED.
- Use interconnect cable (RJ45-RJ45) to connect the output port (fig. 6C) of the first LED fixture to the input port of the second LED fixture.
- Repeat these steps to connect up to 512 LED fixtures.

⚠ Warning! Ensure the power cord and the controller cables do not touch any of the LED rails.



6.

7.3 Connecting the LED fixture to the mains

⚠ **Warning!** Make sure mains power is switched off.

⚠ **Warning!** Ensure the cord is not coiled and does not touch any hot surfaces.

⚠ **Warning!** Connect the cables according to local rules, safety regulations and electrical code.

⚠ **Warning!** Ensure external switching gear can cope with the inrush current of the LED fixture (see section 3.2). Always use a double pole contactor suitable for switching a capacitive load. Never use household timers to switch the LED fixture!

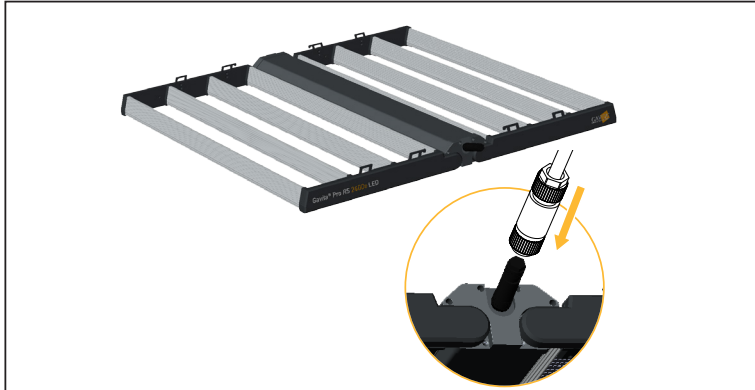
- Connect the Wieland RST 16i5 female connector on the power cable to the Wieland RST16i5 male connector on the LED fixture (fig. 7).
- Connect the power cable to the mains (fig. 8). Ensure use of the appropriate power cord for the NEMA socket. Please reference section 3.3 for compatible power cords.

Cable description 2400e LED 120V / 277V, and 240V:

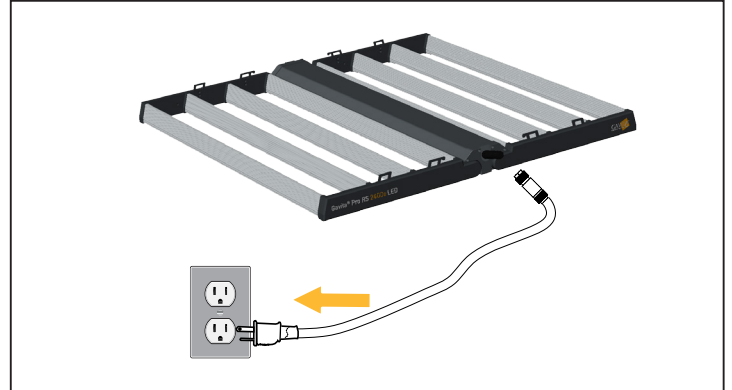
Wire	120 V, 277 V	240 V
White	Neutral (N)	Line (L1)
Black	Phase (L)	Line (L2)
Green	Ground (⊕)	Ground (⊕)

- Switch on mains power.

⚠ **Warning!** Do not connect or disconnect the power cable to the LED fixture while under load.



7.



8.

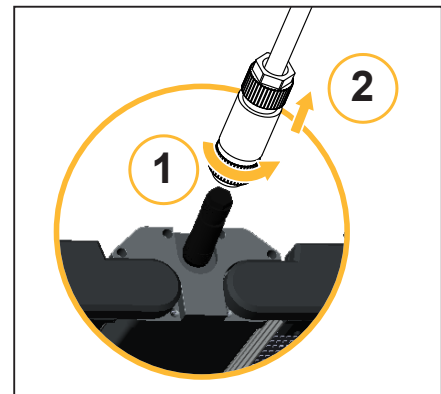
8 Inspection, maintenance and repair

- ⚠ **Warning!** Disconnect the LED fixture from mains before performing any maintenance or repairs.
 - ⚠ **Warning!** Do not connect or disconnect the LED fixture under load.
 - ⚠ **Warning!** Do not open or disassemble the LED fixture, it contains no serviceable parts inside. Opening the LED fixture can be dangerous and will void the warranty.
 - ⚠ **Warning!** Always allow for a cool down period of at least 30 minutes before touching the LED rails.
 - ⚠ **Caution!** Do not clean the LED fixture with detergents, abrasives, or **ANY** other **POTENTIALLY** aggressive substances.
- Regularly check the LED fixture for dust or dirt buildup. Clean if necessary with 70% Isopropyl Alcohol and apply with a non-abrasive cloth. Contamination may cause overheating and decreased performance. Clean the outside of the LED fixture using a dry or damp cloth.
 - Regularly check the cables of the LED fixture to ensure they are undamaged.

8.1 How to disconnect the Wieland RST16i5 plug

⚠ **Warning!** Do not connect or disconnect the Wieland RST16i5 plug while the fixture is in operation.

- Switch off mains power.
- Turn the ring on the Wieland RST16i5 female connector counterclockwise and pull the Wieland RST16i5 female connection from the LED fixture (fig. 9).



9.

9 Storage and disposal

- Store the LED fixture in a dry and clean environment, with an ambient temperature of -4~122° F / -20~50° C.
- The product must not be discarded as unsorted municipal waste, but must be collected separately for the purpose of treatment, recovery, and environmentally sound disposal.

10 LIMITED WARRANTY:

When purchased from an authorized Hawthorne dealer, this product is covered by a LIMITED WARRANTY, available at hawthornegc.com/warranties. You can also obtain the Terms of Sale and Limited Warranty by calling Hawthorne toll-free at: 1-888-478-6544 or writing Hawthorne at: Hawthorne Hydroponics LLC, 3204 NW 38th Circle, Vancouver, WA 98660, Attn: Customer Service.



**Manufactured for Hawthorne Hydroponics LLC,
a subsidiary of The Hawthorne Gardening Company**

3204 NW 38th Circle, Vancouver, WA 98660

HawthorneGC.com | Canada: HawthorneGC.ca | P +1-360-883-8846 | E info@gavita.com

®/™ used under license by Hawthorne Canada Limited.

©2022. World rights reserved.

LB19144 Instruction Manual - Gavita Pro 2400e LED

220404aSD


Pro line


Gavita® Pro RS 2400e LED

1 Introduction


Nous vous remercions de votre achat de Gavita® Pro RS 2400e LED. Le manuel suivant concerne le montage, l'installation et l'utilisation du produit. Le montage et l'installation du dispositif à DEL ne peuvent être effectués que par du personnel de service certifié. Veuillez vous familiariser avec ce manuel et vous assurer de le comprendre avant d'utiliser le produit. N'utiliser le produit que de la manière spécifiée dans le manuel.


1.1 Symboles utilisés

 **Avertissement!** Un avertissement indique qu'un danger important pour l'utilisateur ou des dommages importants au produit peuvent survenir lorsqu'une procédure n'est pas effectuée comme indiqué.


 **Mise en garde!** Un symbole de mise en garde signifie que des problèmes peuvent survenir lorsqu'une procédure n'est pas effectuée comme indiqué. Il sert également de rappel à l'utilisateur.


 **Remarque :** Une remarque offre des renseignements supplémentaires, par exemple pour une procédure.

 Ce symbole est reconnu internationalement et il est utilisé pour désigner des matériaux recyclables.

 Ce symbole autorisé est utilisé sur les produits électroniques fabriqués ou vendus aux États-Unis, indiquant que les émissions électromagnétiques du dispositif ont été mesurées et se situent sous les limites publiées par la Federal Communications Commission (Commission fédérale des communications). Le logo de la FCC est un symbole qui indique que l'équipement est autorisé sur le marché et fonctionne selon la procédure SDOC de la FCC.

 Ce symbole signifie qu'un produit a été testé et certifié indépendamment pour satisfaire aux normes de sécurité.


 Le symbole apparaissant sur les matériaux, les accessoires ou les emballages indique que ce produit ne peut être jeté comme ordures ménagères. En disposant adéquatement de l'équipement, vous contribuerez à empêcher des risques possibles à l'environnement et à la santé publique, qui autrement auraient été causés par une manipulation inadéquate de l'équipement jeté. Le recyclage des matériaux contribue à la conservation des ressources naturelles. Veuillez donc éviter de jeter des dispositifs électroniques et des équipements ménagers désuets avec les ordures ménagères.


 Ce symbole indique la distance minimum (B) entre le dispositif à DEL (A) et la surface éclairée.

2 Description du produit

Le Gavita® Pro RS 2400e LED est un dispositif électronique d'horticulture à DEL. Le dispositif comporte huit traverses à DEL. Le Gavita® Pro RS 2400e LED est recommandé pour une utilisation en serre ou dans des pièces tempérées. Dans ce manuel le Gavita® Pro RS 2400e LED sera dénommé : « le dispositif à DEL ».

Sécurité photobiologique

 **Caution!** Possibly hazardous optical radiation emitted from this product.

 **Mise en garde!** Rayonnement optique potentiellement dangereux émis par ce produit.

Photobiological safety assessment: Risk Group 1

Évaluation de la sécurité photobiologique : Groupe de risque 1

3 Informations et caractéristiques du produit

3.1 Informations générales sur le produit

Nom du produit	Gavita® Pro RS 2400e LED 120-277 V
Fabricant	Hawthorne Gardening Company
Numéro de pièce	HGC906052
CUP	849969000351
Type de fiche (vendue séparément)	NEMA 5-15P/NEMA 6-15P/câble à extrémité ouverte

3.2 Caractéristiques techniques

Nom du produit	Gavita® Pro RS 2400e LED 120-277 V
Tension d'entrée +/- 10 %	120-277 V
Puissance électrique d'entrée +/- 7 %	800 W
Courant d'entrée à 100 %	6,7 A à 2,89 A
Facteur de puissance	>0,95
Poids du produit	16,4 kg/36,2 lb
Dimensions (L. X l. x H.)	109,9 x 113,8 x 8,4 cm/43,25 x 44,8 x 3,3 po
Température d'exploitation	0 à 50 °C
Fréquence :	50/60 Hz
Normes de certification	Satisfait à ANSI/UL STD 1598. Certifié selon le CSA STD C22.2 No 250.0. Satisfait à ANSI/CAN/UL STD 8800.
Entrée d'alimentation	Raccord Wieland RST 16i5
External dim :	Protocole analogique du contrôleur central Gravita (0 à 11,5 V)
Signal de commande externe :	Raccord RJ (8P6C)
Environnement	Ce produit convient aux environnements intérieurs mouillés

3.3 Produits et accessoires compatibles (vendus séparément)

Produit	Nom du produit	Numéro de pièce Gavita®
Contrôleurs Le dispositif fonctionne avec EL3	Contrôleur central Gavita™ EL3	HGC906174
Cordons d'alimentation	Cordon d'alimentation Gavita™ de 2,5 m (8 pi) et de 120 volts pour Gavita® LED	HGC906147
	Cordon d'alimentation Gavita™ de 2,5 m (8 pi) et de 208 à 240 volts pour Gavita® LED	HGC906148
	Cordon d'alimentation Gavita™ de 2,5 m (8 pi) et de 277 à 400 volts pour Gavita® LED	HGC906458
	Cordon d'alimentation Gavita™ de 2,5 m (8 pi) et de 277 volts avec fiche verrouillable pour Gavita® LED	HGC906182
Câbles de liaison	Câble de liaison avec adaptateur Gavita™ e-Series LED de 0,7 m (2,5 pi) RJ45 à RJ45	HGC906710
	Câble de liaison avec adaptateur Gavita™ e-Series LED de 3 m (10 pi) RJ45 à RJ45	HGC906711
	Séparateur de câble à 3 voies	HGC906721
Supports d'éclairage	Câbles de support	MS5063
	Ferrure de suspension pour système de traverses Gavita®	HGC906743
Accessoires d'alimentation	Séparateur en T avec chaînette en série Gavita®	HGC906708

3.4 Environnement

Il est recommandé d'utiliser le produit en serre ou dans des pièces tempérées. Le produit convient aux environnements intérieurs mouillés. N'utilisez pas ce produit à l'extérieur. Ce dispositif d'éclairage convient à un fonctionnement dans une température ambiante ne dépassant pas 50 °C. Il s'agit de la température maximale maintenue de l'environnement d'installation (température ambiante) qui assurera un fonctionnement sécuritaire de l'équipement d'éclairage. Un système de ventilation mécanique ou un système de refroidissement est requis pour maintenir une température ambiante maximale de 50 °C dans l'espace de croissance lorsque l'éclairage fonctionne.

Mention légale

Cet équipement a été testé et il satisfait aux normes d'un dispositif numérique de catégorie A, conformément à la partie 15 des règlements de la FCC. Ces normes sont établies dans le but d'offrir une protection raisonnable contre le brouillage nuisible lorsque l'équipement fonctionne dans un environnement commercial. L'équipement génère, utilise et peut émettre des radiofréquences et s'il n'est pas installé conformément au manuel d'instruction, il peut causer un brouillage nuisible aux radiocommunications.

Le fonctionnement de cet équipement dans une zone résidentielle peut causer un brouillage nuisible auquel cas l'utilisateur devra remédier au brouillage à ses frais.

⚠ Mise en garde! Toute modification non expressément approuvée par la partie responsable à la conformité aux normes de la FCC annule l'autorité de l'utilisateur à se servir de l'équipement. Satisfait à ANSI/UL 1598 et certifié CSA C22.2 No 250.0 et ANSI/CAN/UL 8800.

4 Recommandations en matière de sécurité et avertissements

⚠ Avertissement! Veuillez lire attentivement les avertissements ci-dessous avant de travailler avec le produit ou de l'utiliser!

- Conformez-vous en tout temps aux règlements locaux lors de l'installation ou de l'utilisation du dispositif à DEL.
- N'ouvrez pas ou ne démontez pas le dispositif à DEL; il ne contient aucune pièce réparable à l'intérieur. Ouvrir ou modifier le dispositif à DEL peut s'avérer dangereux et annulera la garantie.
- Ce produit peut causer des interférences avec l'équipement radio et il ne doit pas être installé près d'équipement de communication de sécurité maritime ni d'autres équipements de navigation ou de communication essentiels fonctionnant entre 0,45 et 30 MHz.
- N'utilisez pas le dispositif à DEL lorsque ce dernier est endommagé ou que son cordon d'alimentation est endommagé. Remplacez le cordon d'alimentation uniquement par des cordons originaux certifiés.
- Des modifications aux cordons peuvent entraîner des effets électromagnétiques non désirés, rendant le produit non conforme aux exigences légales.
- N'exposez pas le dispositif à DEL :
 - aux températures (ambiantes) au-delà de la plage spécifiée;
 - à la poussière et aux contaminants;
 - à la lumière directe du soleil ou à toute autre source de chaleur pendant l'utilisation, car cela pourrait faire chauffer le moteur.
- Débranchez toujours le dispositif à DEL du conducteur principal avant d'effectuer tout entretien.
- Prévoyez toujours une période de refroidissement d'au moins 30 minutes avant de toucher les traverses du dispositif à DEL. Toucher les traverses lorsque le dispositif est allumé ou immédiatement après l'avoir éteint peut entraîner des brûlures sévères!
- N'utilisez pas le dispositif à DEL près de substances inflammables, explosives ou réactives.
N'utilisez pas de pulvérisateurs de soufre ni de brumisateurs
- L'installation et l'utilisation du dispositif à DEL sont la responsabilité de l'utilisateur final. Une mauvaise utilisation ou installation peut entraîner une défaillance et endommager le dispositif à DEL. Des dommages au dispositif à DEL et aux circuits électroniques résultant d'une mauvaise installation ou utilisation annulent la garantie.

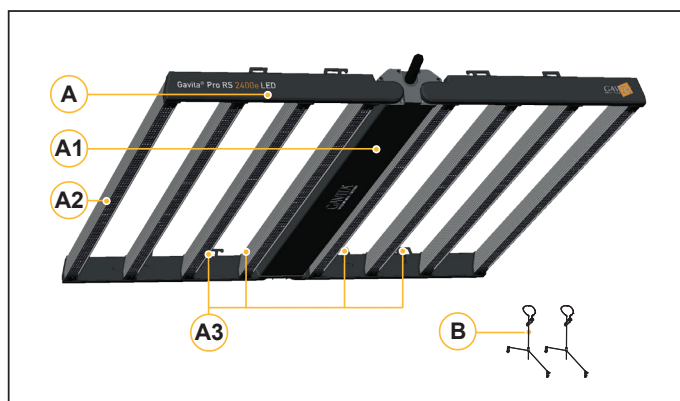
5 Contenu (1)

A. Gavita® Pro RS 2400e LED

1. Moteurs DEL
2. Traverses DEL
3. Points de montage

B. Supports à câbles (2x)

(Cordon d'alimentation vendu séparément.)



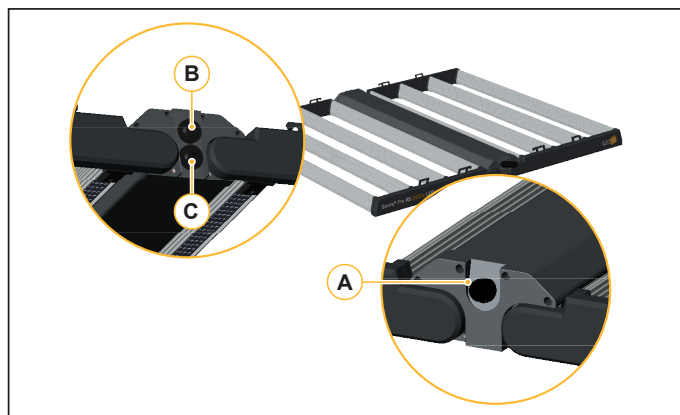
1.

6 Contrôles, raccords et indications (2)

A. Raccord mâle Wieland RST 16i5

B. Port D'ENTRÉE pour communication

C. Port de SORTIE pour communication



2.

7 Installation

⚠ **Caution! PROPRIETARY WIRING SYSTEM.** Use Hawthorne cord set model HGC906147, HGC906148, or HGC906458 only for connection from the luminaire power inlet to a standard junction box for power connection.

⚠ **Mise en garde! SYSTÈME DE CÂBLAGE EXCLUSIF.** Utilisez le jeu de cordons Hawthorne modèle HGC906147, HGC906148 ou HGC906458 uniquement pour la connexion de l'entrée d'alimentation du dispositif d'éclairage à une boîte de jonction standard pour la connexion électrique.

⚠ **Avertissement!** Le montage et l'installation du dispositif à DEL ne peuvent être effectués que par du personnel de service certifié selon les règlements locaux applicables.

⚠ **Avertissement!** L'installateur est responsable d'une installation adéquate et sécuritaire.

⚠ **Avertissement!** Assurez-vous que le câblage local peut soutenir les exigences de tension de courant du dispositif à DEL.

⚠ **Avertissement!** Évitez que les cordons ne s'enroulent et gardez les câbles conducteurs principaux séparés. Cela permet de prévenir les interférences électromagnétiques.

⚠ **Avertissement!** Ne pas brancher ou débrancher le dispositif à DEL lorsqu'il est sous tension.

7.1 Préparations pour l'installation

⚠ **Avertissement!** Fixez le système à une structure pouvant soutenir le poids du dispositif à DEL.

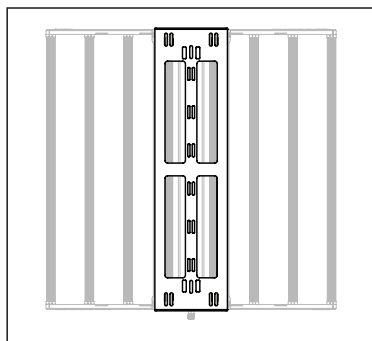
- Éteindre l'alimentation principale.
- Installez la ferrure de suspension pour système de traverses Gavita® (fig. 3) (vendue séparément).
Ou installez les supports à câbles (fig. 1B).
- Assurez-vous que les cordons d'alimentation :
 - 1) ne sont pas dissimulés ou déployés dans un mur, un plancher, un plafond ou dans d'autres parties de la structure du bâtiment.
 - 2) ne se situent pas au-dessus d'un plafond suspendu ou d'un sous-plafond.
 - 3) ne sont pas fixés à la structure du bâtiment de façon permanente.
 - 4) sont dirigés de façon à ne pas être soumis à une tension et qu'ils sont protégés contre les dommages physiques.
 - 5) sont visibles dans leur intégralité.
 - 6) sont utilisés selon l'intensité admissible nominale qui est déterminée en fonction de la température maximale de l'environnement où ils sont installés, spécifiée dans les directives.

Installation du dispositif à DEL

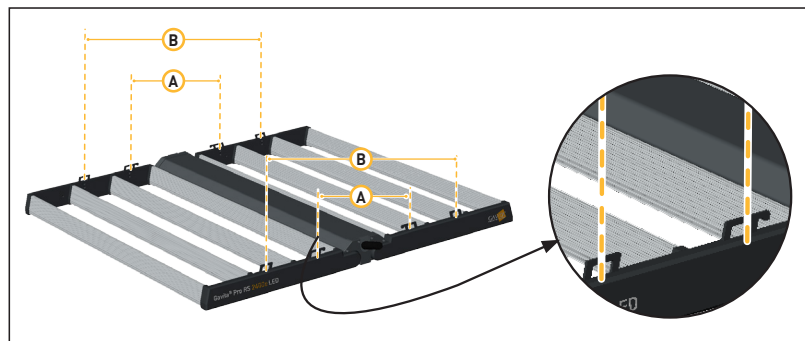
Le Gavita Pro RS 2400e offre plusieurs points de montage pour une polyvalence accrue. Lorsque vous utilisez la ferrure de suspension pour système de traverses Gavita (fig. 3) (vendue séparément), utilisez les points de montage les plus centraux (fig. 4A). Si vous utilisez des supports à cordons à cliquet Sun Grip, quincaillerie de montage comprise, ou si vous suspendez à partir d'un seul point; utilisez les points de montage les plus externes (fig. 4B). Remarque : Lors du montage à partir d'un point unique, l'utilisation des points de montage les plus externes permettra au dispositif d'être étiré entièrement tout en demeurant à plat.

- Fixez le dispositif à DEL au système de montage.
- Distribuez le poids uniformément et assurez-vous que le dispositif à DEL est situé à une distance adéquate au-dessus des cultures (fig. 5).
- Si le dispositif à DEL est utilisé comme appareil autonome, continuez à la section 7.4.
- Si le dispositif à DEL est utilisé avec un contrôleur central, continuez à la section 7.3.

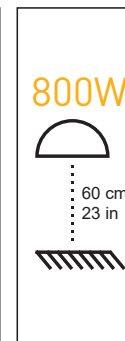
Pour installer des dispositifs à DEL supplémentaires, répétez les sections 7.1 et 7.2 pour chaque appareil.



3.



4.

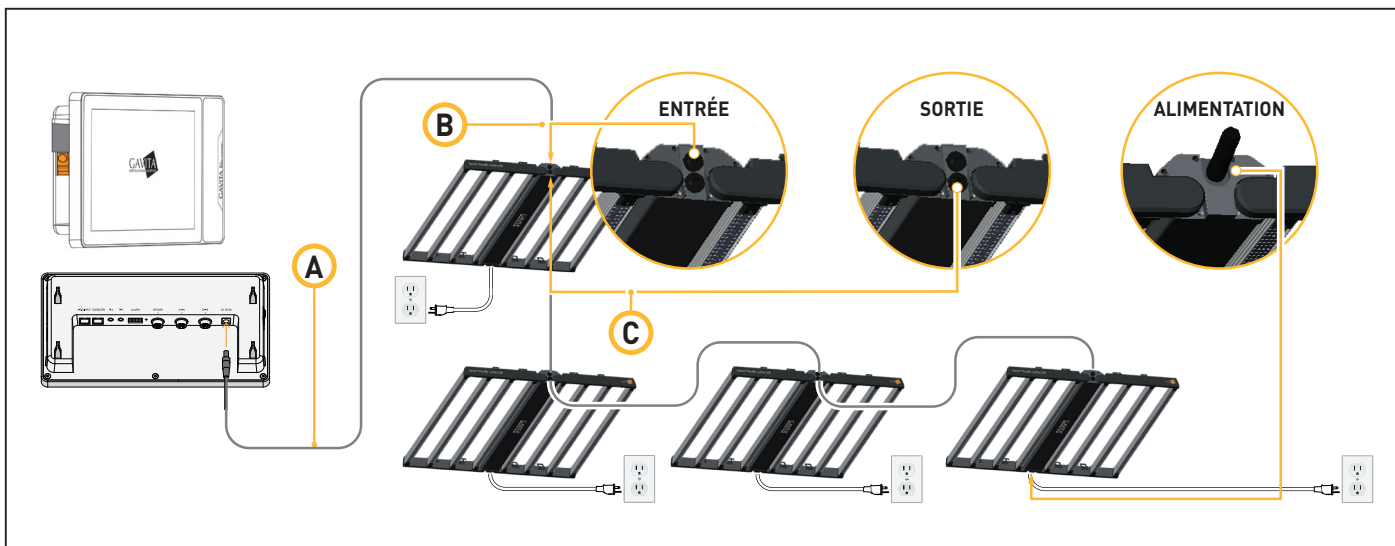


5.

7.2 Brancher jusqu'à 512 dispositifs à DEL

- Retirez la fiche isolante du port d'entrée du premier dispositif à DEL.
- ❗ **Remarque : Placez la fiche isolante dans un endroit sûr!** La fiche isolante est nécessaire au fonctionnement du dispositif à DEL en mode autonome.
- Utilisez le câble du contrôleur (RJ45 à RJ45) (fig. 6A) pour brancher le port d'entrée du contrôleur (fig. 6B) au premier dispositif à DEL.
- Retirez la fiche isolante du port d'entrée du second dispositif à DEL.
- Utilisez le câble de liaison (RJ45 à RJ45) pour brancher le port de sortie (fig. 6C) du premier dispositif à DEL au port d'entrée du deuxième dispositif à DEL.
- Répétez ces étapes pour brancher jusqu'à 512 dispositifs à DEL.

⚠ **Avvertissement!** Assurez-vous que le cordon d'alimentation et que les câbles de contrôle ne touchent pas les traverses du dispositif à DEL.



6.

7.3 Branchement du dispositif à DEL au conducteur principal

- ▲ **Avertissement!** Assurez-vous d'éteindre l'alimentation au conducteur principal.
- ▲ **Avertissement!** Assurez-vous que le cordon n'est pas enroulé et qu'il n'est pas en contact avec des surfaces chaudes.
- ▲ **Avertissement!** Branchez les câbles conformément aux règlements locaux, aux règlements de sécurité et au code de l'électricité.
- ▲ **Avertissement!** Assurez-vous que l'équipement de commutation externe peut soutenir l'appel de courant du dispositif à DEL (voir section 3.2). Utilisez en tout temps un contacteur bipolaire convenant à la commutation d'une charge capacitive. N'utilisez jamais une minuterie maison pour commuter le dispositif à DEL!

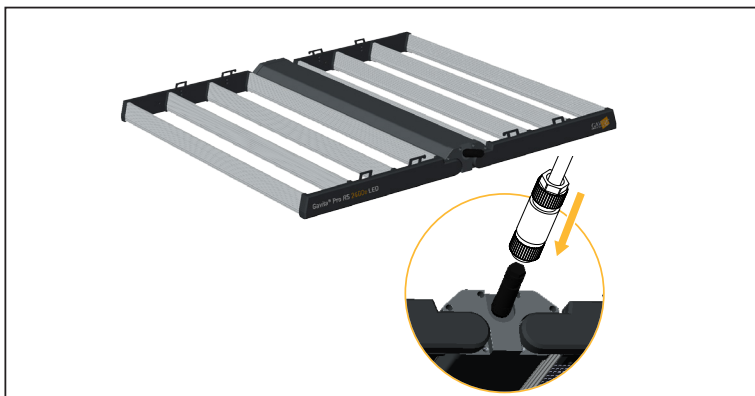
- Branchez le raccord femelle Wieland RST 16i5 du câble d'alimentation au raccord mâle Wieland RST16i5 du dispositif à DEL (fig. 7).
- Branchez le câble d'alimentation au conducteur principal (fig. 8). S'assurer d'utiliser le câble d'alimentation adéquat pour la prise de courant NEMA. Veuillez consulter la section 3.3 pour y trouver des renseignements concernant les câbles d'alimentation compatibles.

Description des câbles 2400e DEL 120 V/277 V et 240 V :

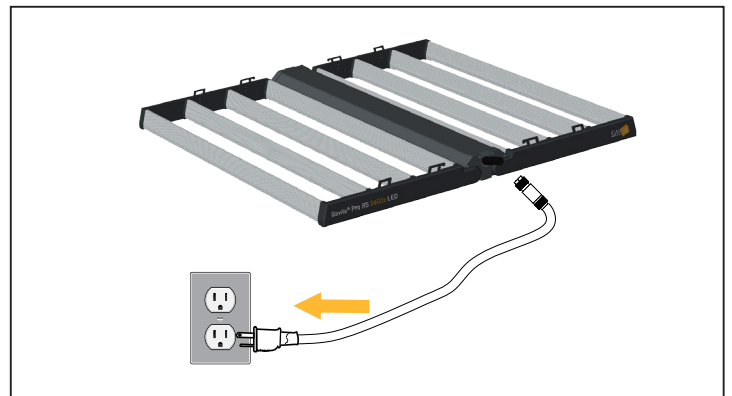
Câble	120 V, 277 V	240 V
Blanc	Neutre (N)	Ligne (L1)
Noir	Phase (L)	Ligne (L2)
Vert	Fil de terre (⊕)	Fil de terre (⊕)

- Allumez l'alimentation principale.

- ▲ **Avertissement!** Ne branchez pas ou ne débranchez pas le câble d'alimentation du dispositif à DEL lorsque ce dernier est sous tension.



7.



8.

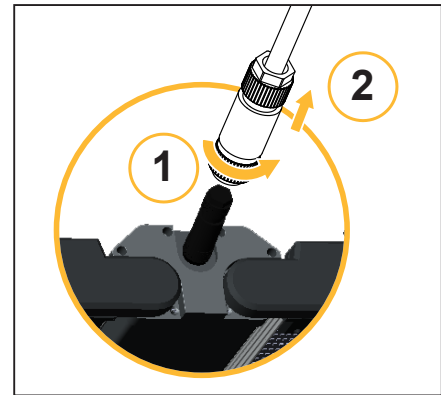
8 Inspection, entretien et réparation

- ▲ **Avertissement!** Débranchez le dispositif à DEL du conducteur principal avant d'effectuer tout entretien ou toute réparation.
 - ▲ **Avertissement!** Ne branchez pas ou ne débranchez pas le dispositif à DEL lorsqu'il est sous tension.
 - ▲ **Avertissement!** N'ouvrez pas ou ne démontez pas le dispositif à DEL; il ne contient aucune pièce réparable à l'intérieur. Ouvrir le dispositif peut s'avérer dangereux et annulera la garantie.
 - ▲ **Avertissement!** Prévoyez toujours une période de refroidissement d'au moins 30 minutes avant de toucher les traverses du dispositif à DEL.
 - ▲ **Mise en garde!** Ne nettoyez pas le dispositif à DEL avec des détergents, des substances abrasives ou **TOUTE** autre substance **POTENTIELLEMENT** agressive.
- Contrôlez régulièrement l'accumulation de poussière et de saleté sur le dispositif à DEL. Nettoyez si nécessaire avec de l'alcool isopropylique à 70 % et appliquez avec un linge doux. La contamination peut entraîner une surchauffe du dispositif, réduisant ainsi son rendement. Nettoyez l'extérieur du dispositif à DEL à l'aide d'un chiffon sec ou humide.
 - Vérifiez régulièrement que les câbles liés au dispositif à DEL ne sont pas endommagés.

8.1 Comment débrancher la fiche Wieland RST16i5

- ▲ **Avertissement!** Ne branchez pas ou ne débranchez pas la fiche Wieland RST16i5 alors que le dispositif fonctionne.

- Éteindre l'alimentation principale.
- Tournez l'anneau du connecteur femelle Wieland RST16i5 dans le sens inverse des aiguilles d'une montre et tirez le raccord femelle du Wieland RST16i5 du dispositif à DEL (fig. 9).



9.

9 Entreposage et élimination

- Entrez le dispositif à DEL dans un environnement propre et sec avec une température ambiante de -20 à 50 °C/-4 à 122 °F.
- Le produit ne doit pas être jeté comme déchet municipal non trié, mais il doit être ramassé séparément pour une élimination incluant le traitement, la récupération et l'élimination écologique.

10 GARANTIE LIMITÉE :

Lorsqu'il est acheté auprès d'un distributeur Hawthorne, ce produit est couvert par une GARANTIE LIMITÉE, offerte sur hawthornegc.com/warranties. Vous pouvez également obtenir les renseignements concernant les conditions de vente et la garantie limitée en téléphonant sans frais au : 1 888 478-6544 ou en écrivant à : Hawthorne Hydroponics LLC, 3204 NW 38th Circle, Vancouver, WA 98660, Att. : Service à la clientèle.



**Fabriqué pour Hawthorne Hydroponics LLC,
une filiale de The Hawthorne Gardening Company**

3204 NW 38th Circle, Vancouver, WA 98660

HawthorneGC.com | Canada: HawthorneGC.ca | Tél. +1-360-883-8846 | **Courriel** info@gavita.com

®/™ utilisée sous licence par Hawthorne Canada Limited.




©2022. Tous droits mondiaux réservés.

Manuel d'instruction LB19144L - Gavita Pro 2400e LED

220404aSD

THIS PAGE DOES NOT PRINT AND ONLY FOR TITLE BLOCK



ART			PRINTER		
Design Studio/Contact: Sheri Deane	Hawthorne Production Project Number: 119235	Separator/Contact:	Printer & Location: Potamus Press. Temecula, CA	Print Method: Offset per SAP	Color Stations: 4
Design, File Name: HGC906052-01_LB19144_Gavita_RS_2400e_LED_LAUNCH_Manual-ENG-FRNCH_220404aSD.indd			Additional Information:		
PRODUCTION/PACKAGE			VERSION		
Job Description: HGC906052-01_LB19144_Gavita_RS_2400e_LED_LAUNCH_Manual-ENG-FRNCH_220404aSD.indd			7		
SKU #: HGC906052	Package Type: Manual/Instructions		Colors:		
Component #: LB19144	Substrate:	Date Modified: 04/04/22	 Cyan	_____	_____
Hawthorne Project Number: 119235	Printer Die Line #:	Operator:	 Magenta	_____	_____
Hawthorne Project Lead: Nicole Downs	Translation Approval Code:	Final Artwork Size: 8.5 x 11	 Yellow	_____	_____
File Name: HGC906052-01_LB19144_Gavita_RS_2400e_LED_LAUNCH_Manual-ENG-FRNCH_220404aSD.indd			REGULATORY SIZES		
OBF Project #:	Wave:	UPC #:	Minimum Font Size (All Panels) 8 Point		
OBF Job #:	UPC SIZE:		UPC BW:		

LIMITATION OF LIABILITY
DO NOT PLATE, ENGRAVE, OR PROCEED TO PRESS WITH THIS FILE WITHOUT PROPER INSPECTION

All files and proofs must be thoroughly inspected by the recipient immediately upon receipt. It is the responsibility of the recipient to examine and proofread all files and proofs. In the event file(s) and/or proof(s) are found to be incorrect upon inspection, call 513-281-0999 and ask for the separation contact. The liability of Oberding Brand Family shall be limited to correcting and replacing the materials that we supplied that were found to be defective. Oberding Brand Family will not be liable for any other loss or damage including, but not limited to, cost of flexo printing plates that we did not make, print cylinders, inks, substrates/printed materials, and/or make ready and press time.

