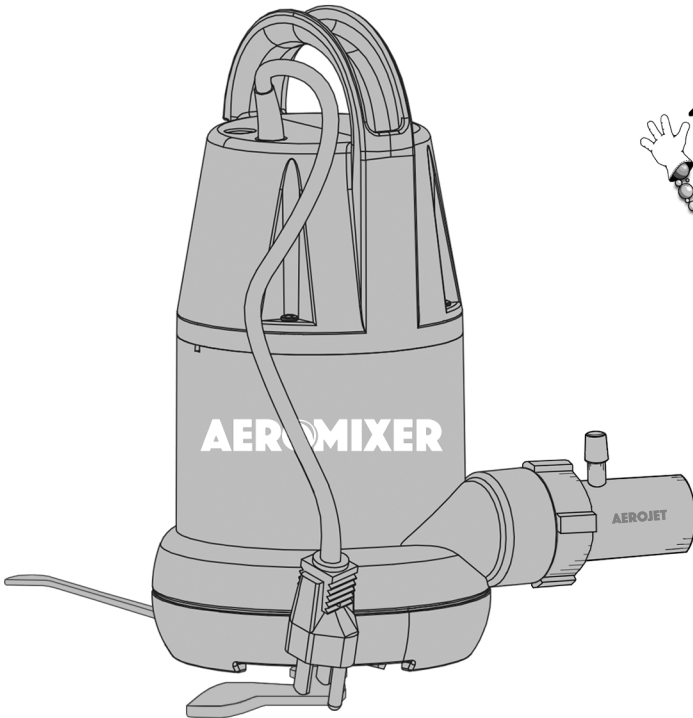


AEROMIXER

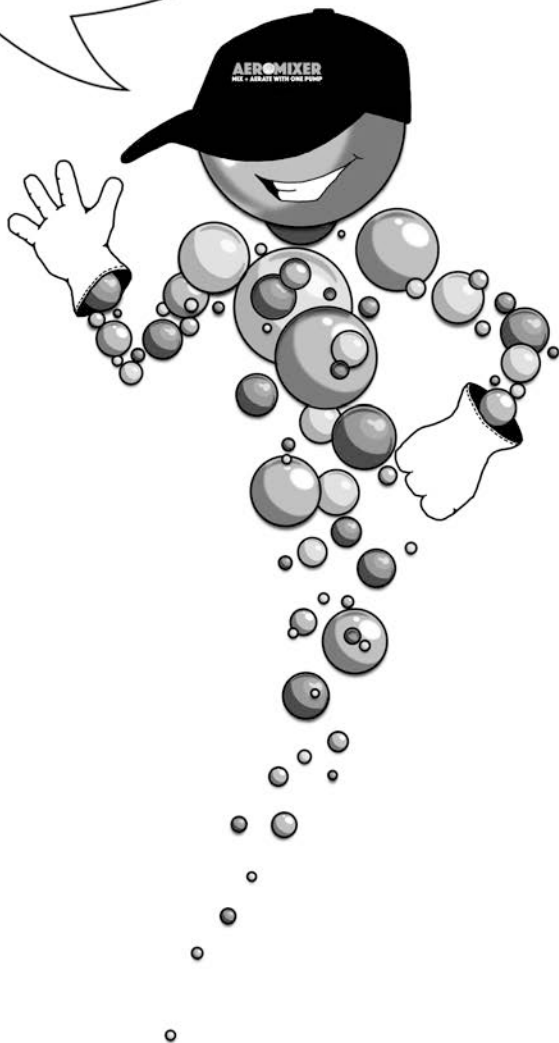
MIX + AERATE WITH ONE PUMP

OWNER'S MANUAL

TEL: +1 541 690 0888
info@aeromixer.com
aeromixer.com

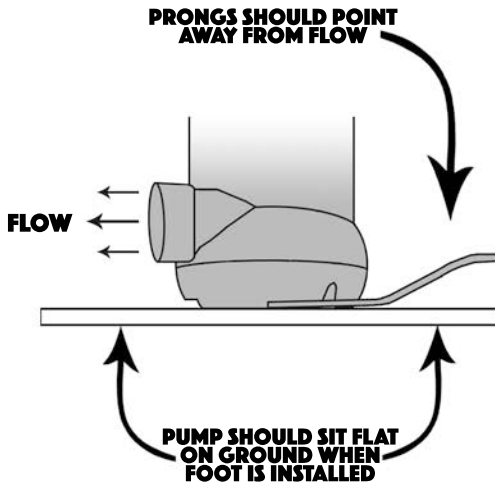
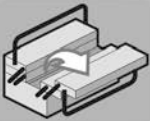
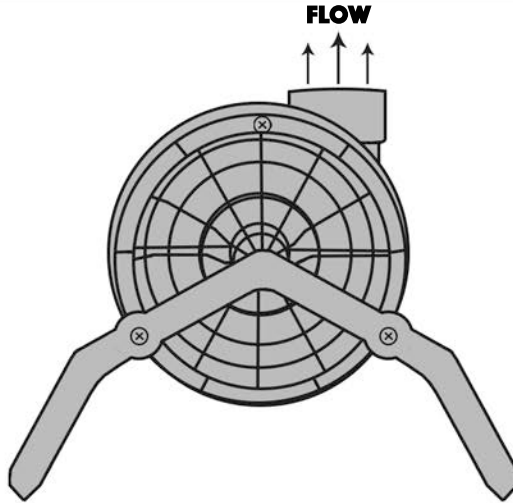


**FIRST THING'S
FIRST...**

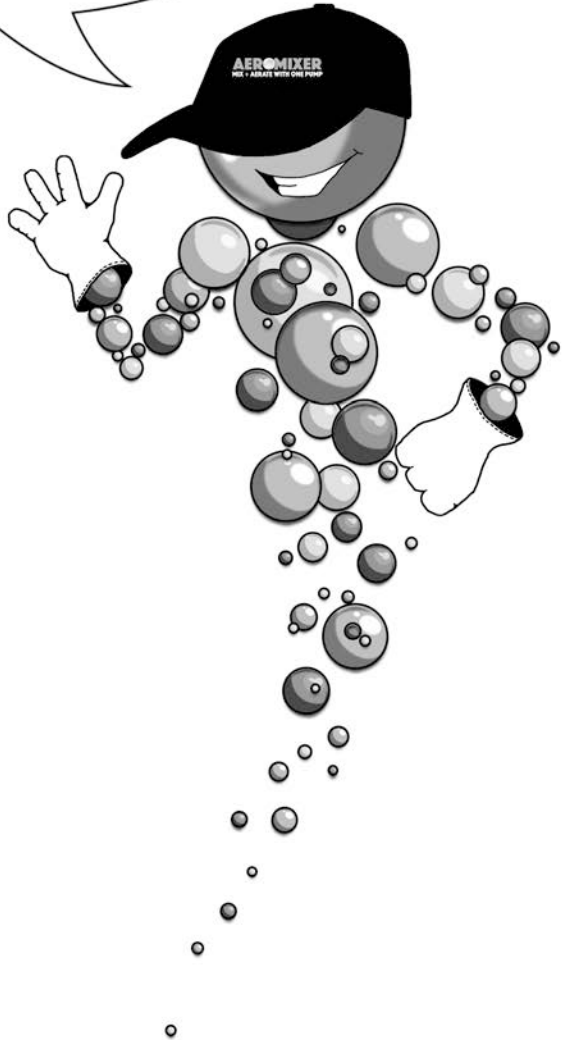


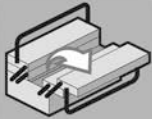
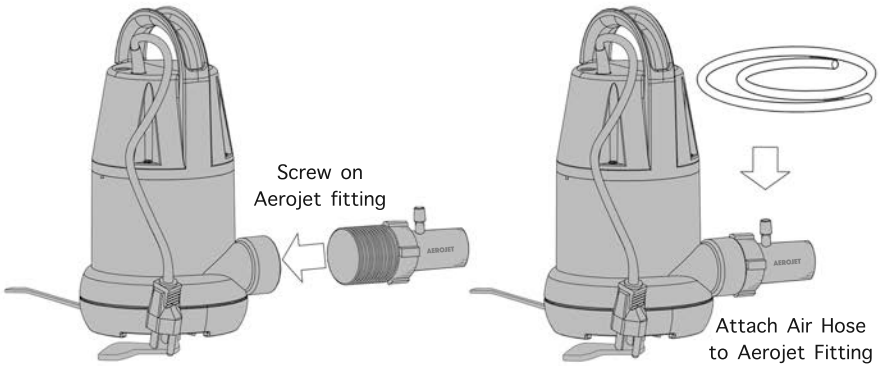
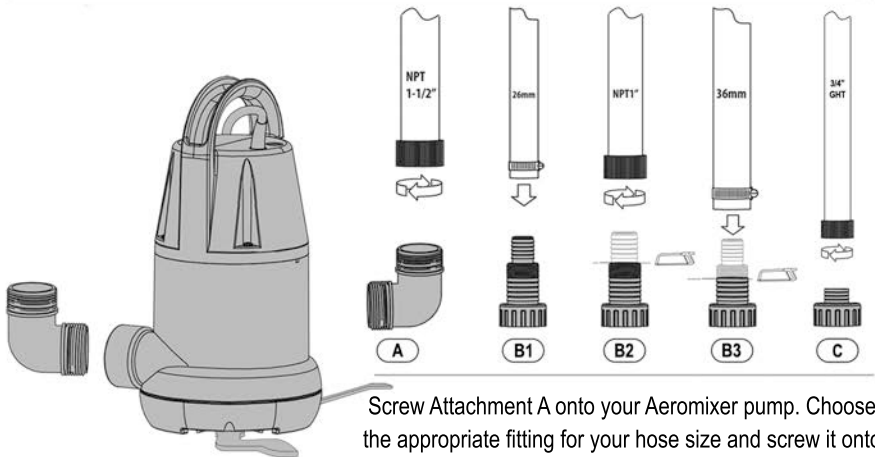
STABILIZING FOOT INSTALLATION

Proper foot installation is critical to operate pump properly.

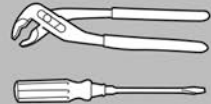
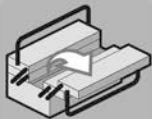


**ARE
YOU MIXING
OR PUMPING?**

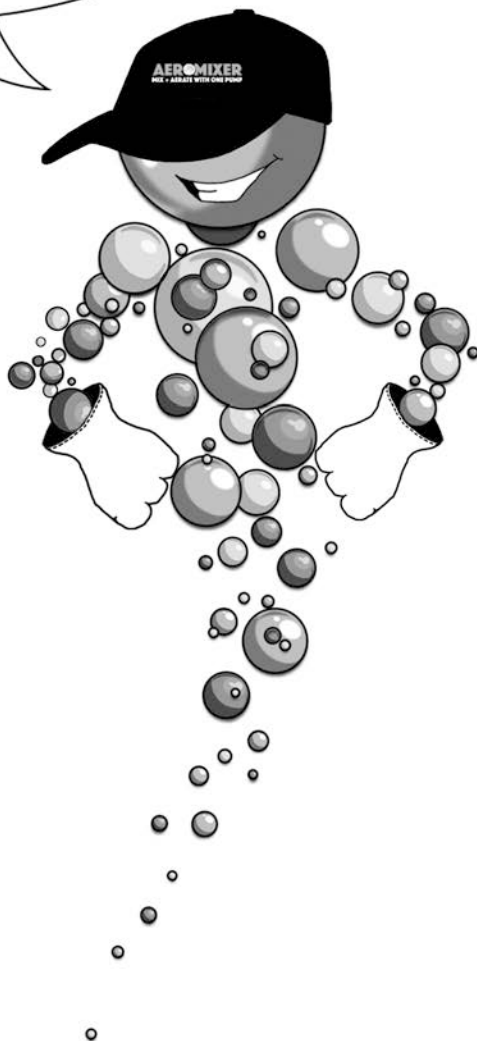


1**MIXING:****2****PUMPING:**

Screw Attachment A onto your Aeromixer pump. Choose the appropriate fitting for your hose size and screw it onto Attachment A. If necessary, use a hacksaw or similar to modify Attachment B as pictured. Secure using hose clamp.

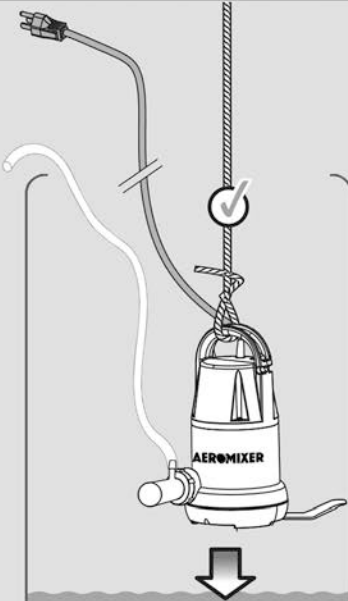


**LET'S
GET IT IN THE
TANK!**



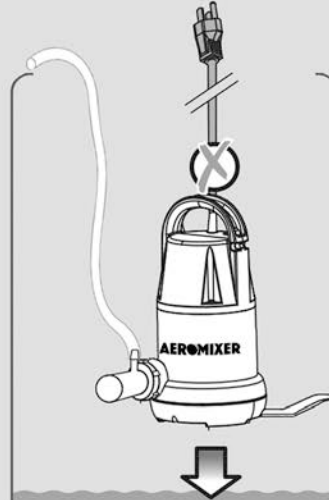
PLACEMENT

1



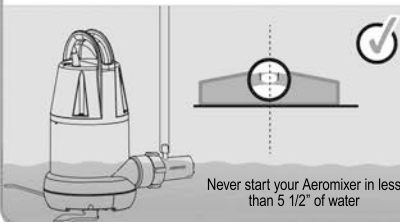
For ease of set up, place Aeromixer in an empty tank. Fill with at least 5 1/2" of water before powering on.

DO NOT LOWER BY CORD



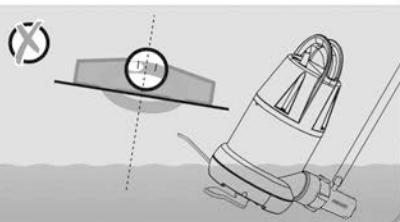
2

PLACE BOTH TIPS OF STABILIZING FOOT AGAINST SIDEWALL OF TANK

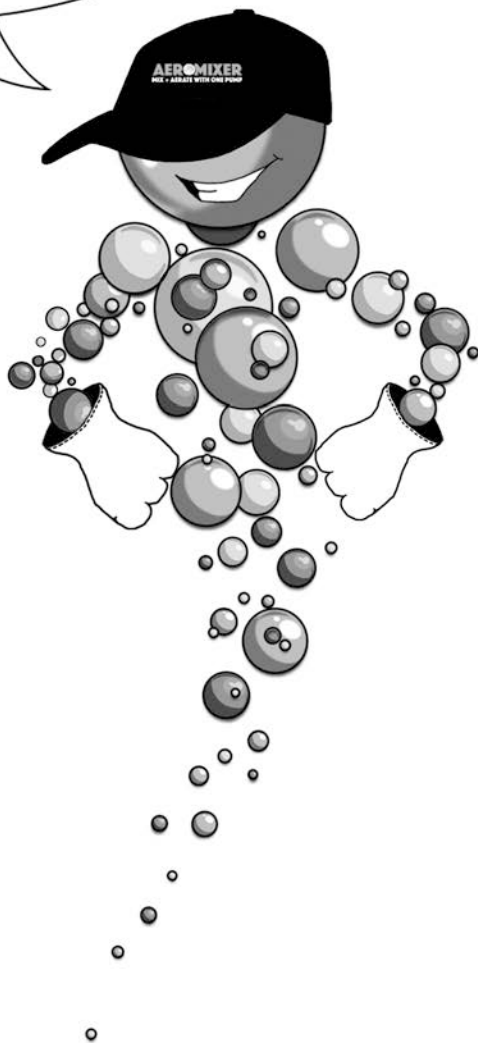


Never start your Aeromixer in less than 5 1/2" of water

AEROMIXER SHOULD SIT FLAT ON THE BOTTOM OF THE TANK



**READ THIS, IT'S
IMPORTANT!**



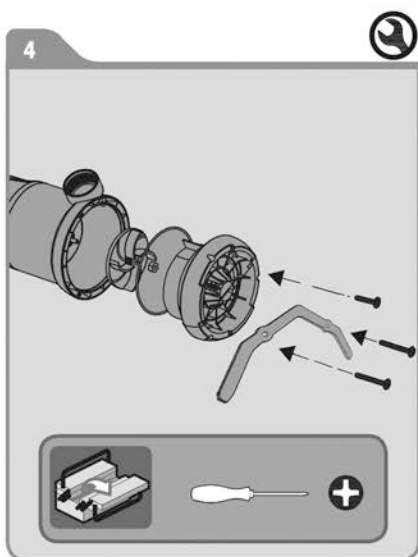
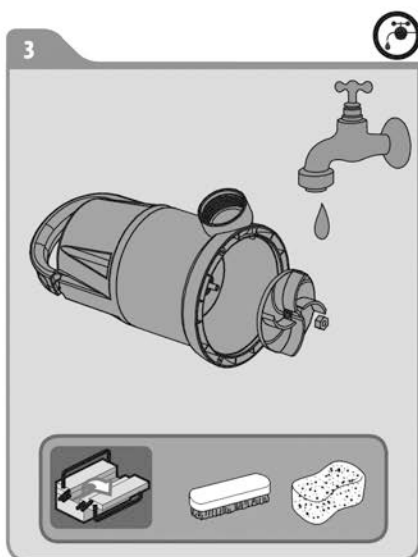
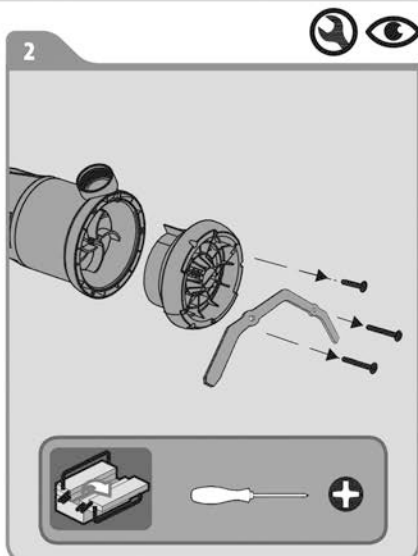
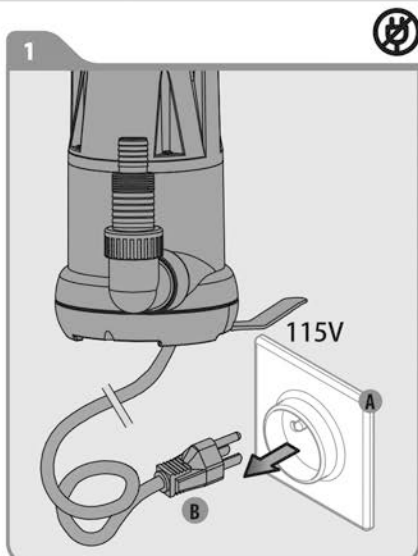
10 THINGS YOU SHOULD KNOW...

1. Ensure stabilizing foot screws are tightened all the way before use.
2. Clear your tank of leaves and other debris before placing your Aeromixer and filling with water.
3. For ease of set up, place your Aeromixer in an empty tank. Ensure that your Aeromixer is placed against the sidewall of your tank, with both tips of the green stabilizing foot making contact with the sidewall.
4. Nutrients should be added slowly when your Aeromixer is running in a full tank of water. No more than a 1/4 pound of dry nutrients per gallon of water can be added to your mixing tank. (Oversaturation of Nutrients can cause hydrolock and will void warranty of your Aeromixer.)
5. Never lift your Aeromixer by its air intake hose or by the power cord.
6. Don't start your Aeromixer unless it is submerged in at least 5 1/2" of water.
7. The end of the air intake hose must be out of the tank to inject air. Make sure the air intake hose is not kinked and is clear of debris.
8. Aeromixer is not designed for continuous use. Recommended run times are as follows:

Tank size (Gallons)	Time to run Aeromixer	Time to let tank rest
50-100 gallons	15 minutes on	30 minutes off
100-250 gallons	30 minutes on	30 minutes off
250-500 gallons	1 hour on	1 hour off
500-1000 gallons	2 hours on	2 hours off
1000-3000 gallons	4 hours on	4 hours off

9. Cleaning your Aeromixer regularly is important. See page 9 for detailed instructions.
10. Never service or move your Aeromixer while it is plugged in.

CLEANING



Safety and Specifications

GENERAL SAFETY

See the "Troubleshooting page" in this manual for information about common Aeromixer problems and remedies.

1. Know the Aeromixer application, limitations, and potential hazards.

⚠ WARNING Do not use in explosive atmosphere. Pump water only with this pump. Failure to follow this warning can result in personal injury and/or property damage.

⚠ CAUTION Risk of flooding. If flexible discharge hose is used, make sure pump is correctly placed in tank to prevent movement. Failure to correctly place pump may allow pump movement and prevent pump from starting or stopping.

2. Make certain power source conforms to requirements of your equipment.
3. Disconnect power before servicing.
4. Release all pressure within system before servicing any component.
5. Drain all water from system before servicing.
6. Secure discharge line before starting pump. An unsecured discharge line will whip, possibly causing personal injury and/or property damage.
7. Check hoses for weak or worn condition before each use, making certain all connections are secure.
8. Periodically inspect pump and system components. Keep Aeromixer and tank free of debris and foreign objects. Perform routine maintenance as required.
9. Provide means of pressure relief on pumps hose discharge can be shut-off or obstructed.
10. Personal Safety:
 - a. Wear safety glasses at all times when working with pumps.
 - b. Keep work area clean, uncluttered, and properly lighted. Put away all unused tools and equipment when finished.
 - c. Keep visitors at a safe distance from the work area.
 - d. Make workshop child-proof with padlocks, master switches, and by removing starter keys.
11. When wiring an electrically driven pump, follow all electrical and safety codes, as well as most recent National Electrical Code (NEC) and Occupational Safety and Health Act (OSHA).

⚠ WARNING Pump motor is equipped with an automatic resetting thermal protector and may restart unexpectedly.

12. **⚠ WARNING** Risk of electric shock. This equipment is only for use on 115 volt (single phase) and is equipped with an approved 3-conductor cord and 3-prong, grounding-type plug.

⚠ WARNING To reduce risk of electric shock, be certain that it is connected to properly grounded, grounding-type receptacle.

Where a 2-prong wall receptacle is encountered, it must be replaced with properly grounded 3-prong receptacle installed in accordance with the National Electrical Code and local codes and ordinances.

13. All wiring should be performed by a qualified electrician.
14. Protect electrical cord from sharp objects, hot surfaces, oil, and chemicals. Avoid kinking cord. Replace or repair damaged or worn cords immediately.
15. Use wire of adequate size to minimize voltage drop at motor. Refer to most recent National Electric Code.
16. Do not touch an operating motor. Modern motors are designed to operate at high temperatures.
17. Do not use in water where fish are present.

AIRLOCKS

When a pump airlocks, it runs but does not move any water. An airlock will cause the pump to overheat and fail. This pump has an anti-airlock hole in the bottom of the pump body. If you suspect an airlock, unplug the pump, clean out the anti-airlock hole with a paper clip or piece of wire, and restart the pump. **IMPORTANT:** This hole allows the pump to start priming within 15 seconds in as little as 1/2" of water. **NEVER** restart pump in less than 1/2" of water. Leakage from the anti-airlock hole is normal.

DESCRIPTION

Aeromixer is designed for mixing and aerating nutrient solutions. Pump can be used for sump service and dewatering. Unit is constructed of hi-impact corrosion resistant plastic. Screened inlet prevents large solids from entering pump.

NOTICE: This unit is not designed for applications involving salt water or brine! Use with salt water or brine will void warranty.

INSTALLATION

⚠ WARNING Do not use power cord to lift motor. Always use handle.

1. Pump should be needs to be correctly placed against the sidewall of any tank, and should rest on a level, solid foundation. Do not suspend pump by means of discharge pipe or power cord. Keep pump inlet screen clear.
2. Thread outlet pipe into pump body carefully to avoid stripping or crossing threads.

- a. To install with garden hose, install adapter provided with pump.

NOTICE: To keep friction as low as possible, hose must be 3/4" or larger. Keep hose as short as possible.

- b. To install with rigid pipe, use plastic pipe. Wrap thread with teflon tape.
- c. Power supply: Pump is designed for 115V, 60 HZ operation and requires an individual branch circuit of 15 amperes or more capacity. It is supplied with a 3-wire, cord set with grounding-type plug for use in a 3-wire, grounded outlet. A 3-wire extension cord, of at least 18 AWG size is suggested, with larger sizes for runs over 25ft. For safety, pump should always be electrically grounded to a suitable electrical ground such as a grounded water pipe or a properly grounded metallic raceway, or a ground wire system. Do not cut off the round grounding prong.

⚠ WARNING The pump motor is equipped with automatic resetting thermal protector and may restart unexpectedly. Protector tripping is indication of motor overloading as a result of operating pump at low lift (which will overload the motor), excessively high or low voltage, inadequate wiring, incorrect motor connections, or a defective motor or pump.

Operation

OPERATION

⚠ WARNING Risk of burns or death from electric shock. Do not handle pump or pump motor with wet hands or when standing on wet or damp surface, or in water. Disconnect power from pump before handling, servicing, or attempting to repair pump.

1. The pump must be standing in at least 5 1/2" (135mm) of water before starting. The shaft seal is water lubricated and may be damaged if pump runs dry.
2. After starting, the pump will lower the water level to 3/16" (4.75mm) before losing suction. It will not pick up water less than 3/16" deep when running and will not operate successfully if started in only 3/16" of water.
3. Do not leave pump unattended! If the pump has been operating satisfactorily and the discharge stream suddenly stops coming out of the hose, stop the pump immediately; do not allow it to run dry. A mop or squeegee will be needed to remove remaining water.
4. The motor is equipped with an automatically resetting thermal overload protector. If the motor gets too hot, the overload protector will stop the motor before it is damaged. When the motor has cooled sufficiently, the overload protector will reset itself and the motor will restart.

NOTICE: If the overload protector stops the pump repeatedly, disconnect the power from the pump and check it to find the problem. Low voltage, long extension cords, clogged impeller, too much back pressure in the discharge hose (as when pumping through 50' (15m) of coiled hose), or running pump with no load, can all cause excessive cycling and overheating.

SPECIFICATIONS

Model	AERO50-3000
Nominal voltage	115V/60HZ
Output power	3/4 hp
Motor full load	7.1 amps
Protection type	IPX8
Max. Height	40ft
Max. Submersion depth	17ft
Max. Conveying amount	4450gph
Max. Fluid temperature	95 F
Diameter of pipe	NPT1" NPT1-1/2" NPT1-1/4" GHT3/4"

PERFORMANCE

GPH (LPH) AT TOTAL FEET (M)						
8(2.5)	13(4)	20(6)	26.5(8)	33(10)	40(12)	
Model #AERO50-3000						
4450	3890	2984	1841	774	0	
16702	14602	11200	6911	2905	0	

TROUBLESHOOTING

Disconnect power from pump before handling, servicing, or attempting to repair pump.

SYMPTOM	POSSIBLE CAUSE(S)	CORRECTIVE ACTION
Aeromixer isn't injecting air into the mixing tank.	Blocked air hose	Check to make sure the air intake hose isn't kinked or plugged, and is NOT submerged.
Aeromixer spins in circles when it is turned on.	Stabilizing foot not installed correctly	Please refer to page 2 of this manual for proper installation.
	Aeromixer not placed correctly in tank	Please refer to page 6 of this manual for proper placement.
	Tank is dirty/slippery	Clean tank and rinse with fresh water.
Aeromixer wont start or run.	Popped circuit	Check breaker box.
	Low line voltage	If voltage is under recommended minimum, check size of wiring from main breaker on property.
	Defective motor	Contact Aeromixer LLC info@aeromixer.com
	Impeller stuck	If impeller won't turn, follow cleaning instructions on page 9.
Aeromixer operates but delivers little or no water.	Stabilizing foot not installed correctly	Please refer to page 2 of this manual for proper installation. Ensure that stabilizing foot screws are fully tightened.
	Low line voltage	Use only 14 gauge or larger extension cords. Use short extension cords when necessary.
	Something caught in impeller	Clean out impeller. See page 9.
	Small diameter hose or long discharge line	Use larger diameter garden hose or 1" flexible pipe. Eliminate any excess hose. Short hoses work best.
	Air lock	Turn off Aeromixer for a few seconds, clean out anti-airlock hole and restart pump.
	Kinks/bends in hose	Straighten hose.

Don't see the issue you are having? Check our FAQ page at aeromixer.com or contact us directly at info@aeromixer.com. We are here to help!

Warranty

RETAIN ORIGINAL RECEIPT FOR YOUR RECORDS.

LIMITED WARRANTY

Aeromixer warrants to the original consumer purchaser (“Purchaser” or “You”) of its products that they are free from defects in materials and workmanship for a period of twelve (12) months from the date of the original consumer purchase. If, within twelve (12) months from the original consumer purchase, any such product shall prove to be defective, it shall be repaired or replaced at **Aeromixer’s** option, subject to the terms and conditions set forth below. The original purchase receipt and product warranty information label are required to determine warranty eligibility. Eligibility is based on purchase date of original product- not the date of replacement under warranty. The warranty is limited to repair or replacement of product only- Purchaser pays all removal, installation, labor, shipping, and incidental charges. For parts or troubleshooting assistance, DO NOT return product to your retail store.

Claims made under this warranty shall be made by returning the product to **Aeromixer LLC** immediately after the discovery of any alleged defect. **Aeromixer** will subsequently take corrective action as promptly as reasonably possible. No requests of service will be accepted if received more than 30 days after the warranty expires.

General Terms and Conditions

You must pay all labor and shipping charges necessary to replace product covered by this warranty. This warranty does not apply to the following: (1) Acts of God; (2) products which, in **Aeromixer’s** sole judgment, have been subject to negligence, abuse, accident, misapplication, tampering, or alteration; (3) failures due to improper installation, operation, maintenance or storage; (4) atypical or unapproved application, use, or service; (5) failures caused by corrosion, rust or other foreign materials in the system, or operation at pressures in excess of recommended maximums.

This warranty sets forth **Aeromixer’s** sole obligation and purchaser’s exclusive remedy for defective products.

Aeromixer SHALL NOT BE LIABLE FOR ANY CONSEQUENTIAL, INCIDENTAL, OR CONTINGENT DAMAGES WHATSOEVER. THE FOREGOING WARRANTIES ARE EXCLUSIVE AND IN LIEU OF ALL OTHER EXPRESS AND IMPLIED WARRANTIES, INCLUDING BUT NOT LIMITED TO THE IMPLIED WARRANTIES OR MERCHANTABILITY AND FITNESS FOR A PARTICULAR PURPOSE. THE FOREGOING WARRANTIES SHALL NOT EXTEND BEYOND THE DURATION PROVIDED HEREIN.

Some states do not allow the exclusion or limitation of incidental or consequential damages or limitations on how long an implied warranty lasts, so the above limitations or exclusions may not apply to You. This warranty gives You specific legal rights and You may also have other rights which vary from state to state.



Aeromixer LLC

Aeromixer.com
Tel: +1 541 690 0888

For additional assistance
or questions, email:
info@aeromixer.com

A Southern Oregon Company
Made in China
2019