



JS LED®

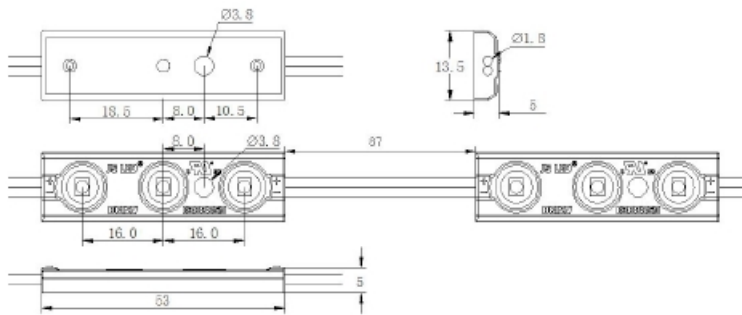
ECO Lighting Technology and Solutions



LED Module

Model No. JE-001R-15

Dimension



- Length..... 53mm
- Width 13.5mm
- Height 5.5mm
- Watts per foot 1.8W
- LEDs per module..... 3
- Modules per foot..... 2.5
- Packaging..... 50pcs x 2 rolls =100 Module per bag
22.68 Feet x 1 rolls = 45.36 feet

Specification

| | |
|-----------------------|-------------------|
| Model No. | JE-001R-15 |
| Color | Red |
| LED Size | 2835 |
| Protection | IP65 |
| Viewing Angle | 120°±5 |
| Foward Voltage | 12V |
| Foward Current | 60mA |
| Wavelength | 623nm |
| Luminous flux | 16LM |
| Power consumption | 0.72W |
| Operating Temperature | -25°C to 78°C |

Electrical / Optical characteristics at TA=25°C

- *1. All dimensions are in millimeters.
- 2. Tolerance is ±0.25 unless otherwise noted.
- 3. Lead spacing is measured where the lead emerge package.
- 4. Specifications are subject to change without notice.

Please visit jsledpower.com for more information

For support please call toll free number 1-800-909-5188

Headquarter Office

1318 Maine Ave.,
Baldwin Park, CA 91706
Tel: (626) 338 - 8291
Fax: (626) 338 - 8391

Texas Branch

6120 Westline Dr.,
Houston, TX 77036
Tel: (832) 244 - 2506
Fax: (713) 782 - 3100

New Jersey Branch

600 Deer Rd., Suite #3
Cherry Holl, NJ 08034
Tel: (646) 287 - 5979
Fax: (856) 428 - 4888

Florida Branch

4333 Silver Star Rd., Suite #170
Orlando, FL 32808
Tel: (407) 808 - 9768
Fax: (407) 782 - 4891