

# SPECIFICATIONS

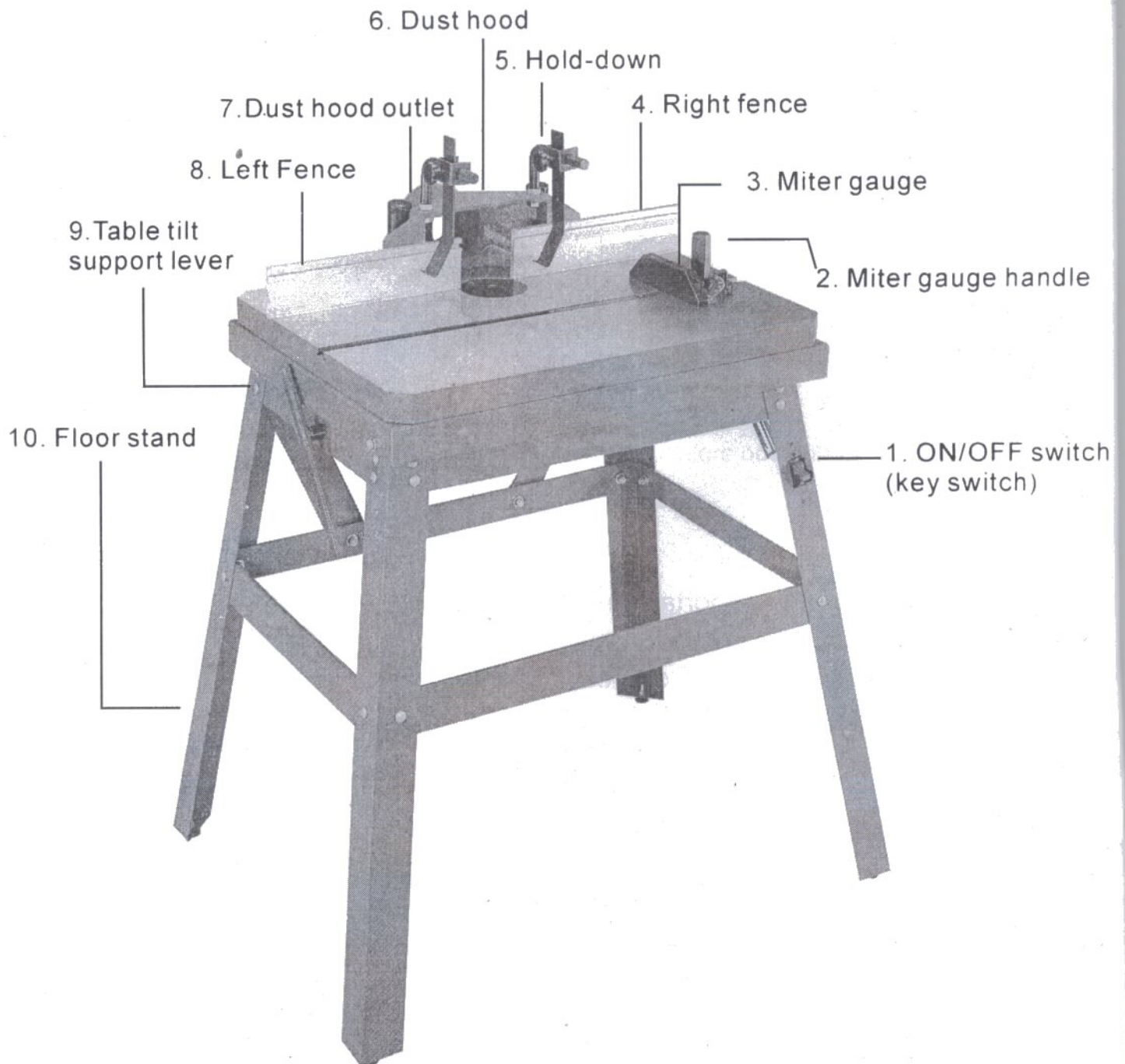
## MODEL

Suitable portable routers	3/4 HP-5HP
Main table surface	26-7/8"(683mm) x 20-3/8"(518mm)
Table tilt	45
Table inserts (Outside)	100mm(3-15/16")
Table inserts (Inside)	2-3/8"(60mm), 1-1/8"(29mm)
Table height	34"(850mm)
Fence sizes (each side)	10-5/8"(270mm) x 1-31/32"(50mm)
Dust hood outlet	4"(102mm)
Net weight	119lbs(54kgs)
Gross weight	123lbs(56kg)

## FEATURES

- Accepts any brand of portable router from a 3/4HP to 5HP motor.
- Table Top can be tilted 45 degrees.
- Precision split aluminum fence.
- 4"(102mm) diameter dust hood.
- Key switch prevents unauthorized operation.
- Hold-down is supplied as a standard accessory.

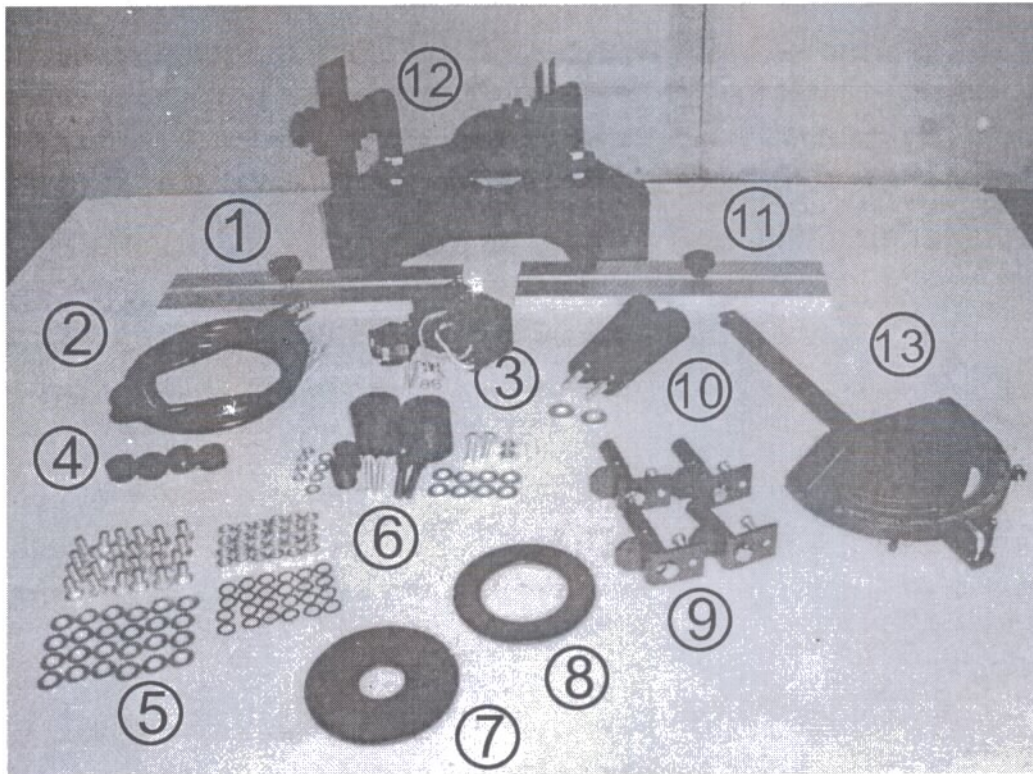
# OVERVIEW OF THE ROUTER TABLE



# LOOSE PART BAG CONTENTS

After the machine has been unpacked, check that all loose parts shown below are present.

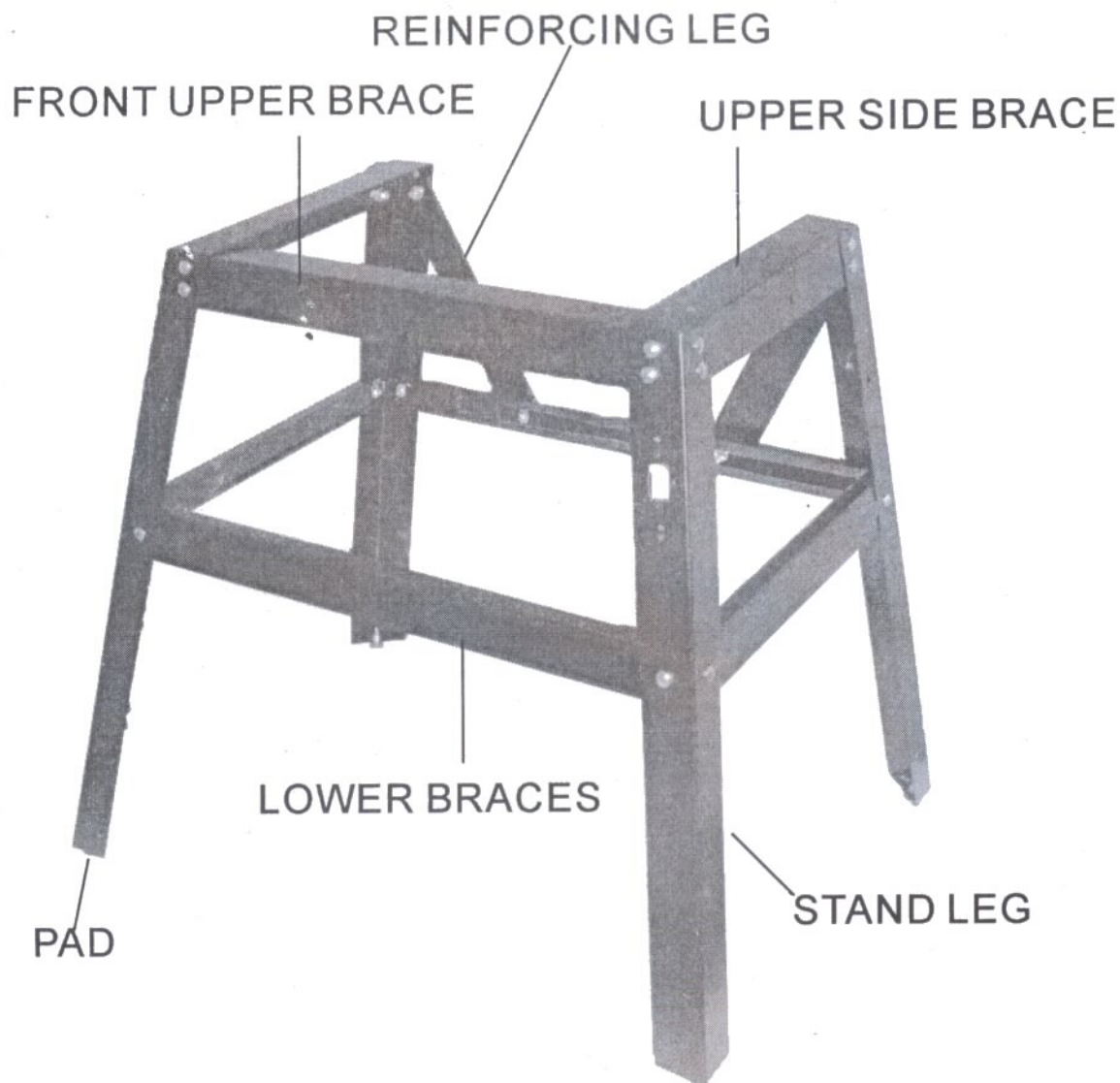
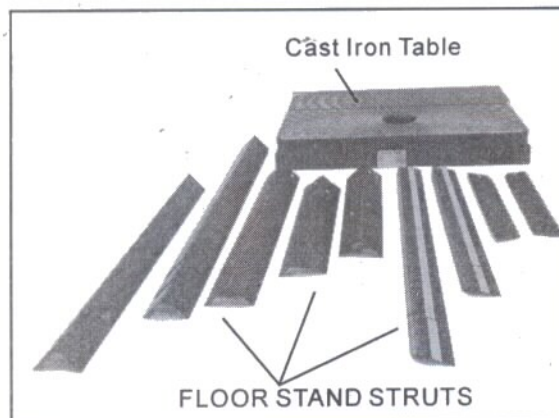
Switch and power cord are sold only in the U.S.; units sold to other countries are without electrical parts.



- |  |  |
|--|--|
| 1. Left fence face bolt & knob           | -1/4"x 1-1/2" cross head screw (2 pcs) |
| 2. Power cord                            | -1/4" washer (4 pcs)                   |
| 3. Switch box                            | -1/4" nut (4 pcs)                      |
| 4. Pad package                           | -5/16" x 1" bolt (2 pcs)               |
| -Pad (4 pcs)                             | -5/16" washer (4 pcs)                  |
|  | -5/16" nut (2 pcs)                     |
|  | -3/8" nut (4 pcs)                      |
|  | -3/8" washer (4 pcs)                   |
|  | -Bumper (2 pcs)                        |
| 5. Screw package for stand               | 7. 29mm table insert                   |
| -5/16"x 1/2" screw (24 pcs)              | 8. 60mm table insert                   |
| -5/16" washer (24 pcs)                   | 9. Router clamp (4 pcs)                |
| -5/16" nut (24 pcs)                      | 10. Fence handle (2 pcs)               |
| -5/16" lock washer (24 pcs)              | 11. Right fence for bolt & knob        |
| 6. Screw package for table               | 12. Dust hood                          |
| -3/4" diameter positioning piece (2 pcs) | 13. Miter gauge                        |

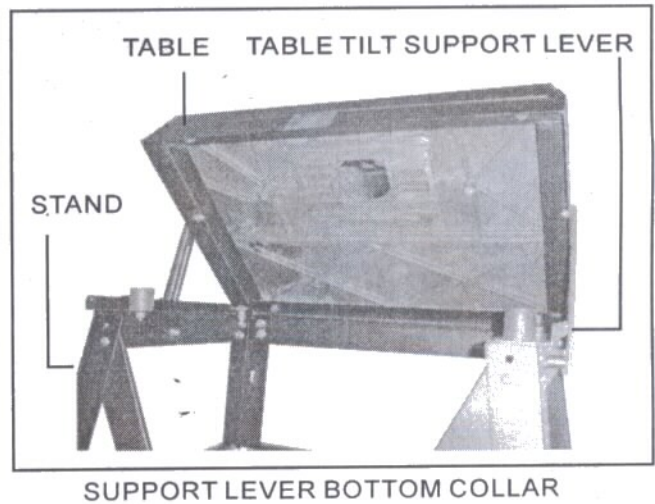
# ASSEMBLING THE FLOOR STAND

1. Assemble the front upper brace and two upper side braces to the legs.
2. Assemble the two reinforcing legs to the back legs.
3. Assemble the lower braces to the four legs and reinforcing legs.  
Note: The rear braces have mounting holes for the reinforcing legs.
4. Tighten the braces and lower plate by using 5/16" screws.
5. Assemble the four pads under the four legs.
6. Attach the switch box to the front right leg. Connect the wires onto the switch box and to the power cord, using the diagram on page 13.



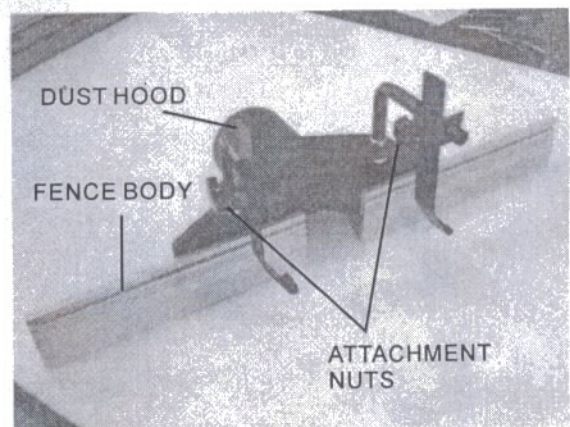
## ATTACH THE TABLE ONTO THE STAND

1. As the table is heavy, it is suggested that two people lift the table during installation.
2. Affix the two rubber bumpers onto the side of the stand. These two knobs are used to support the table.
3. Align the two holes at the front of the table (away from the spindle hole) with the two holes drilled on the top front of the stand.
4. Tighten the table securely using two 5/16" screws.
5. Attach the table tilt support levers to the table and stand.
6. Fit the support lever bottom collar on to the upper side brace of stand.
7. Fit the round cross head screw through the slot on the table support lever, and lock the support lever to the bottom collar.



## INSTALLING DUST HOOD

1. Fence faces are attached to the dust hood casting.
2. Install fence faces using (1) one T-slot bolt and knob per side.
3. Attach a 4" flexible hose to connect dust hood to the dust collector.

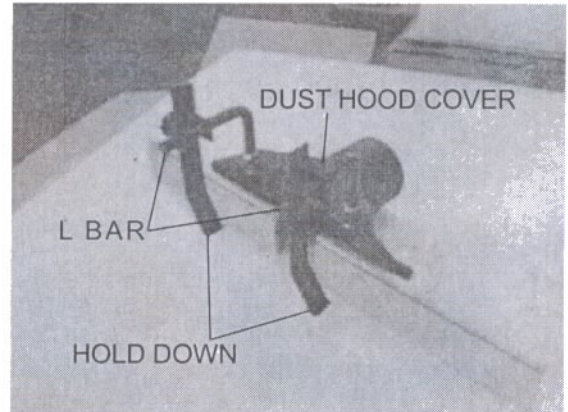


### **WARNING**

Do not operate the machine until the dust collector is running.

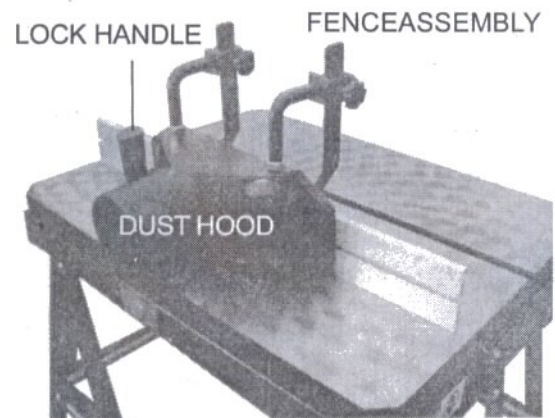
## INSTALL HOLD-DOWNS

1. Insert the L Bar for the hold-downs into the holes on the dust hood.
2. Use an open ended wrench to tighten.



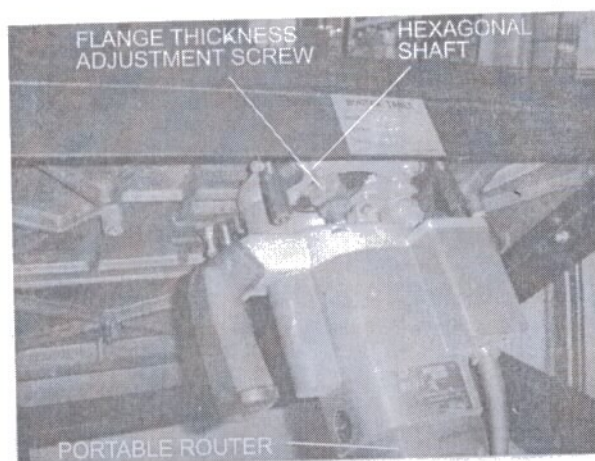
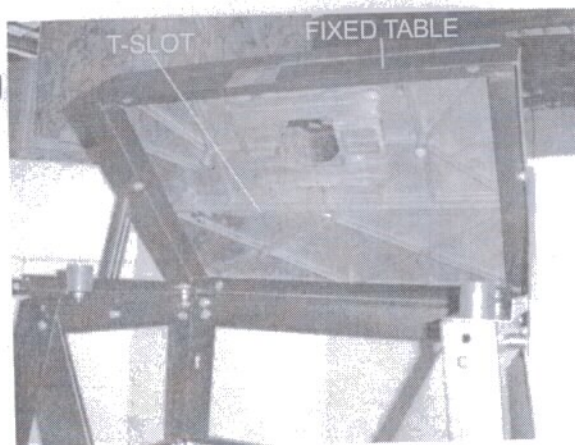
## INSTALLING THE FENCE

1. After assembling the fence/dust hood, mount the assembly onto the table.
2. Lock the fence assembly onto the table by tightening the two lock handles at one of the various mounting positions for the bit you are using.



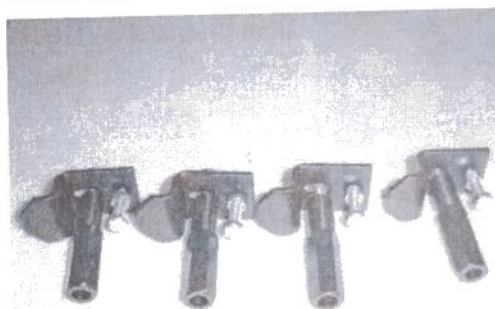
## INSTALL THE ROUTER ONTO THE STAND

1. It is recommended that you have another person help you when installing the router.
2. Tilt the table top to 45 ° to install the portable router. Lock the table in the tilted position by moving the table tilt lock levers into the lock position.
3. Insert the 4 screws of the clamping plate sets into the T-slots on the underside of the table.
4. Fit the router spindle through the hole on the table.
5. Adjust the flange thickness adjustment screw so that the clamping plates fit on the flange of the portable router.
6. Tighten the clamping plates to the portable router by using an open ended wrench to turn the hexagonal shaft.



### CLAMPING PLATE SET

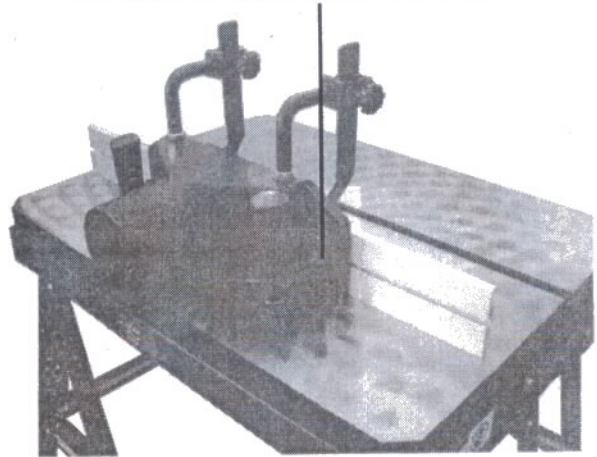
(FLANGE THICKNESS ADJUSTMENT SCREW AND HEXAGONAL SHAFT)



# FENCE OPERATION

1. The fence assembly is locked on the table by the two lock handles.
2. To adjust the opening between the right and left fence halves, loosen the opening adjustment knob, then move the fence halves to the proper position according to router bit size and application.

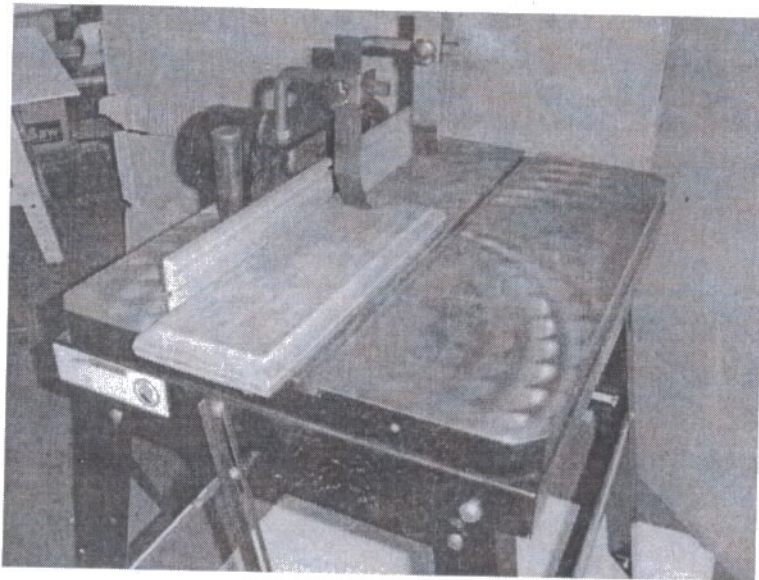
OPENING ADJUSTMENT KNOB





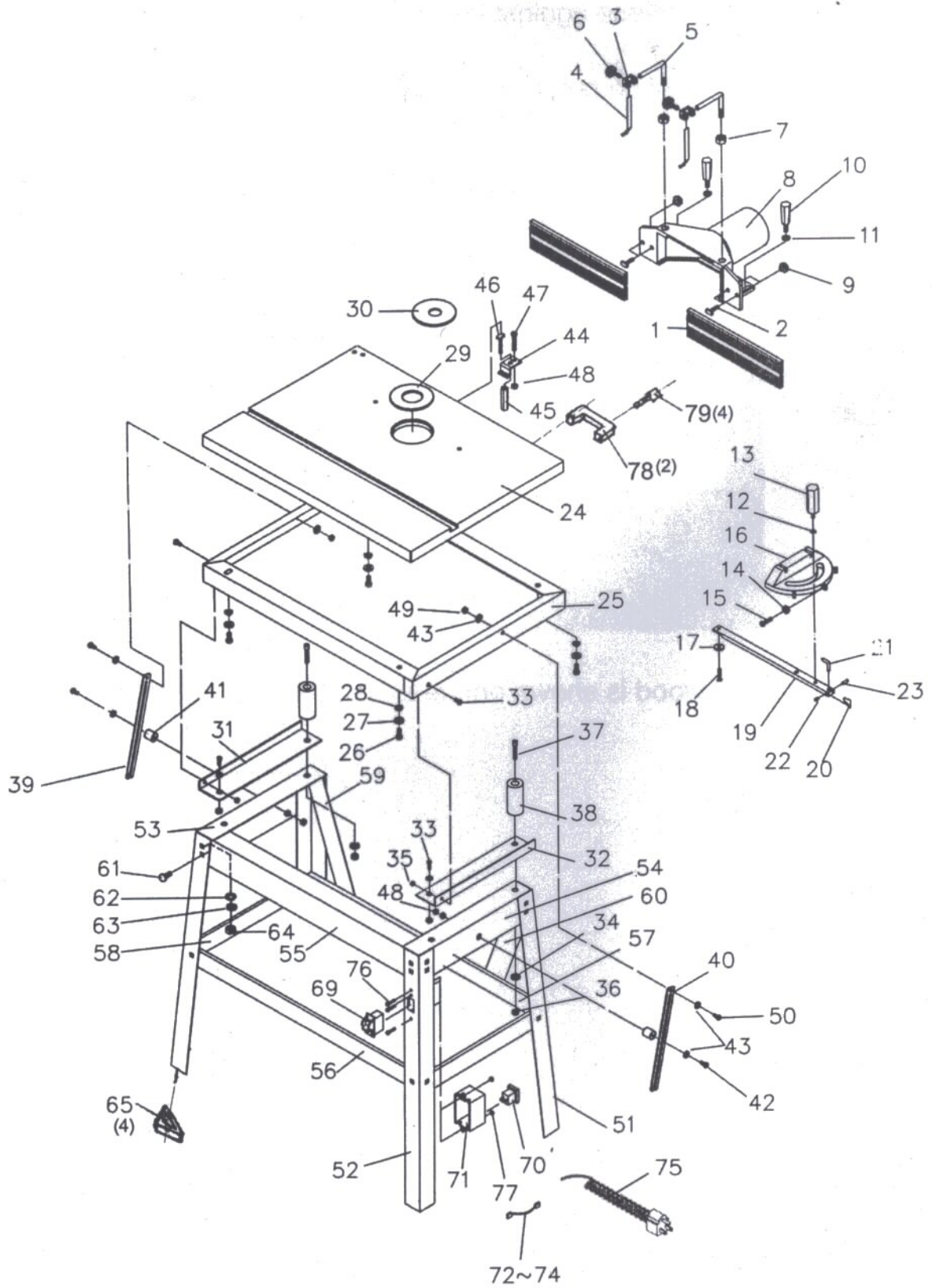
## ROUTING OPERATIONS

1. Use a push stick or push block whenever possible.
2. Always feed the workpiece against the rotation of the router cutting bit.
3. Below are examples of correct routing techniques, using the router stand.



(The wood is shown on the outfeed side of the table)

# EXPLODED DIAGRAM



# PART LIST

PART No.	DESCRIPTION	QTY.
1	FENCE HALF	2
2	SLIDING SCREW 1/4"*1"	2
3	HOLD-DOWN MOUNT	2
4	HOLD-DOWN	2
5	L BAR	2
6	KNOB 5/16"*5/8"	2
7	1/2" HEX NUT	4
8	DUST HOOD	1
9	STAR KNOB NUT 1/4" - 20TPI	2
10	HEAVY HANDLE	2
11	FLAT WASHER 5/16"	2
12	FLAT WASHER 1/4"	1
13	MITER GAUGE HANDLE	1
14	HEX NUT 5/32"	3
15	CROSS SCREW 5/32"-32TPI	3
16	MITER GAUGE BODY	1
17	SLIDING BLOCK	1
18	SCREW 1/4"-20TPI	1
19	GUIDE BAR	1
20	LOCATING PLATE	1
21	POINTER	1
22	SET SCREW 1/4"-20TPI*1/4"	1
23	ROLL PIN 3mm*6mm	1
24	TABLE TOP 26-7/8"*20-3/8"	1
25	TABLE FRAME	1
26	HEX BOLT 5/16"-18TPI*3/4"	4
27	LOCK WASHER 5/16"	4
28	FLAT WASHER 5/16"	4
29	TABLE INSERT (60mm)	1
30	TABLE INSERT (29mm)	1
31	TABLE LEFT SUPPORT	1
32	TABLE RIGHT SUPPORT	1