

# SPECIFICATIONS - 20-25-30-35-40-45W / 2X2 / DIM

- 2 by 2 Panel LED Light - E478138

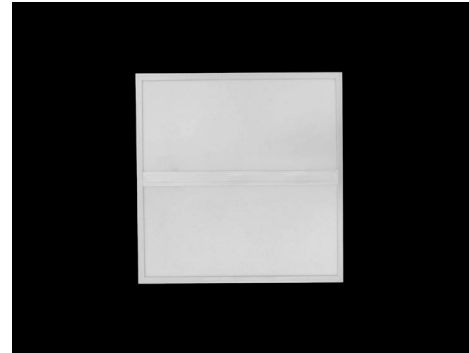
DOC: V1808

## DESCRIPTION

- \* 130 lumens/pw premium lumen output saves more energy;
- \* LM70 for 50,000 hours warranty;
- \* 0-10V dimming;
- \* Environment friendly. No mercury;

## COMMON TECHNICAL DATA

Color temperature	3000 / 4000 / 5000K
CRI	83
Operation Temperature	-68~122 °F
Input voltage	AC 120-277V
Power factor	0.95
Warranty	50,000 hours / 5 years
Housing material	Aluminum
Lumen efficiency	130LPW



Government



Corporate

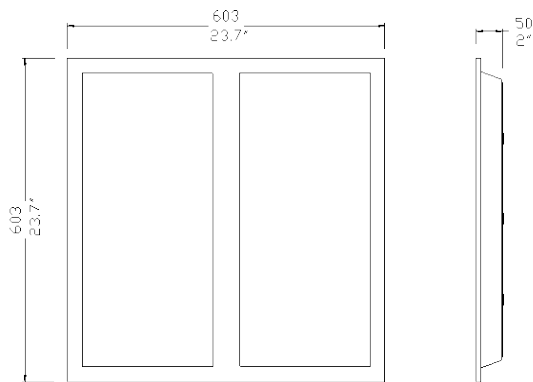


Hospital

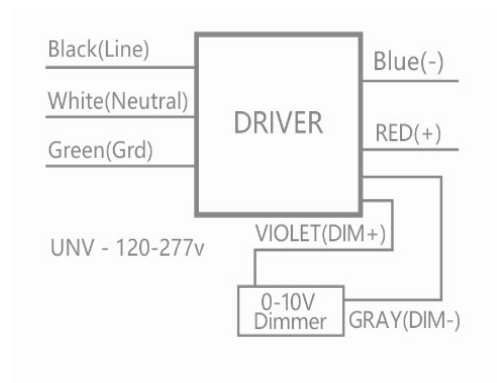


Education

## DIMENSION DIAGRAM



## WIRING DIAGRAM



## APPLICATION



## DLC DATA

Type	Part No.	Wattage	lpw	Lumens	Color Tem.	DLC Code
DIM	PL-20W22DA-ZZ-H1	20W	130	2600LM	3000K~5000K	PENDING
	PL-25W22DA-ZZ-H1	25W	130	3250LM	3000K~5000K	
	PL-30W22DA-ZZ-H1	30W	130	3900LM	3000K~5000K	
	PL-35W22DA-ZZ-H1	35W	130	4550LM	3000K~5000K	
	PL-40W22DA-ZZ-H1	40W	130	5200LM	3000K~5000K	
	PL-45W22DA-ZZ-H1	45W	130	5850LM	3000K~5000K	

## WARNING

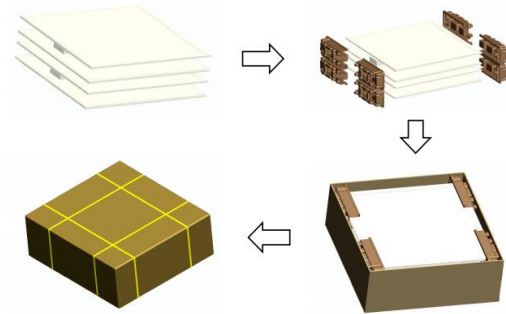
- Not for outdoor use.
- Not for high temperature or damp locations.
- Not for heavy air polluted locations.
- Turn off the power before replacing new luminaire.

## CAUTION

- Risk of electric shock;
- For using in dry locations only.

## PACKAGE

Size	2'x2'
Pcs/ctn	4 PCS
Carton Dimension	26.5x26x12.5 in
Weight / Ctn	31 lbs
Units /40' HQ	1952 pcs



## REMARK

- All of the mechanical, electrical and light characteristics in this document are typical value;
- LM-79, IES file is available after finishing DLC;

## WARRANTY

This product has a warranty for a period of 5 years from the date of purchase. The warranty is invalid in the case of improper installation, tampering, or removal of the Q.C. date label. Installation in an improper working environment or installation according to the current edition of the National Electric Code also invalidates the warranty. If this product fails during the warranty period, it will be replaced free of charge, subject to correct installation and return of the faulty unit. Walstar does not take responsibility for any installation costs associated with the replacement of this product. This warranty is an addition to the statutory rights in the country of purchase. Walstar reserves the right to alter specifications without prior notice.

**Go Green LED International**

**195 Middle Rd., Henrietta, NY 14467 585-426-7055**