



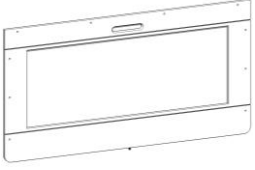

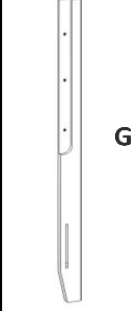










Before you begin:

- Layout all of the parts listed below.
- Save all packing materials until assembly is complete to avoid accidentally discarding smaller parts or hardware.
- You will need a Phillips head screw driver (not included).
- Your LightHeaded™ Headboard is designed to be used with a free standing metal bed frame (not included).

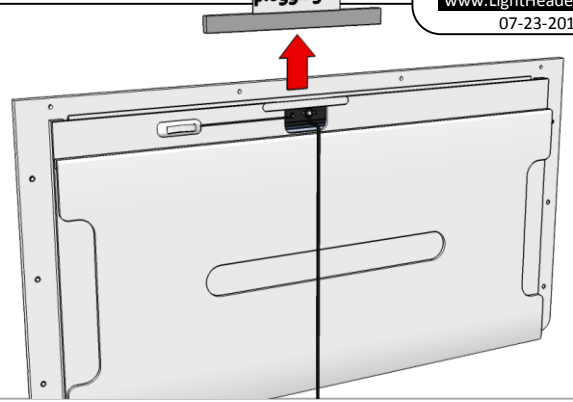
Parts List

Part	Description	Quantity
	A 3/4" long machine screw (Part# 80000648)	6
	B Wood screw (Part# 80000650)	4
	C Allen wrench (Part# 80000651)	1
	D Headboard Caprail (Part# 80000652 Espresso, Part# 8000653 Satin White)	1
	E Headboard Center Panel (Part# 80000654, Espresso; Part# 80000655, Satin White) ships with LightHeaded™ lighting component kit already installed.	1
	F Right headboard leg (Part# 80000668 Espresso; Part# 80000669 Satin White)	1
	G Left headboard leg (Part# 80000670 Espresso; Part# 80000671 Satin White)	1
	H Bed frame assembly hardware – Bolt (Part# 80000672)	4
	I Bed frame assembly hardware – Metal Washer (Part# 80000673)	8
	J Bed frame assembly hardware – Metal Lock Washer (Part# 80000674)	4
	K Bed frame assembly hardware – Hex Nut (Part# 80000675)	4
	L Wrench (Part #80000680)	1
	M LightHeaded™ TechBox (Contains remote control, power cord, User Guide, and most importantly your \$20 coupon code for LightHeaded™ Beds.com) (Part# 80000152)	1

REMOVE
packing material
before
plugging in

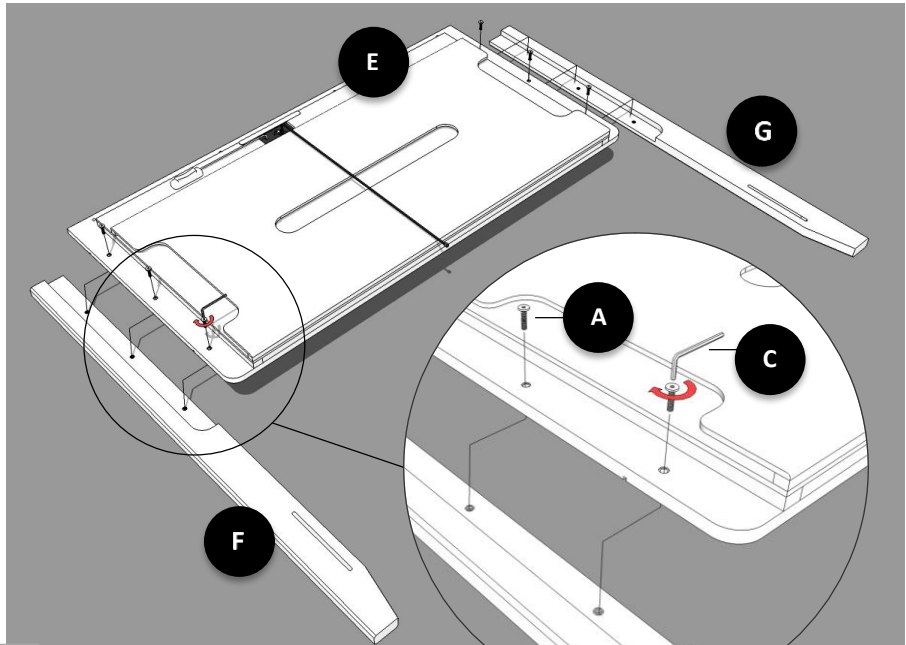
Step 1

1. From the top of your LightHeaded™ headboard remove the protective packing material and discard.
2. The LightHeaded™ Beds patented energy efficient LED Light Guided Panel has been pre-installed in your headboard with the acrylic cover and starter HeadLight Image already in place.
3. Please refer to your LightHeaded™ Lighting User Guide in the TechBox (M) for information on how to power up your light, insert images, and trouble shoot. Please be sure to look for your remote control and **\$20 coupon for LightHeadedBeds.com** in your TechBox (M).



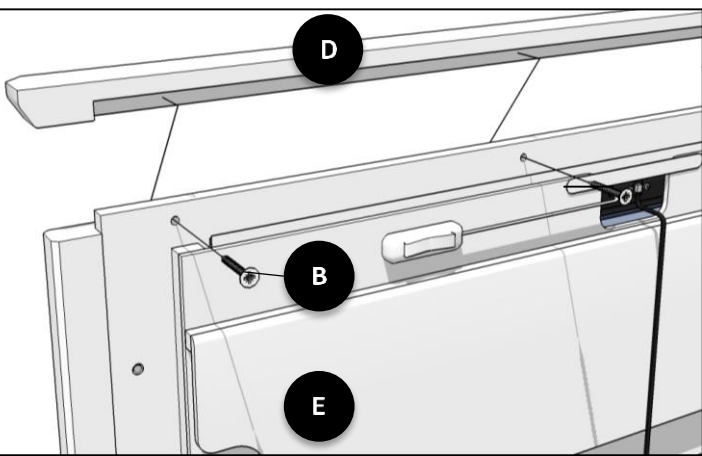
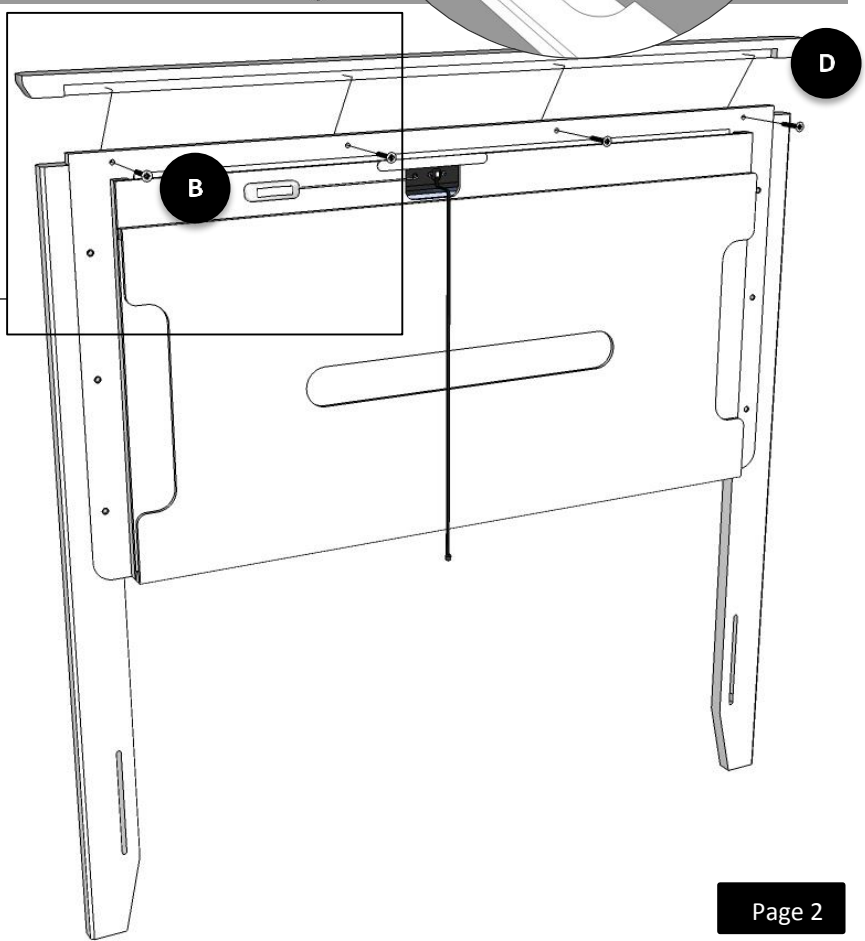
Step 2

1. Carefully lay the headboard center panel (G) face down on a soft surface (like a rug or carpet).
2. Align 3 threaded inserts in left and right headboard legs (F,G) with holes in headboard center panel.
3. From the back of the headboard center panel (G), use allen wrench (C) to tighten machine screws (A) through holes (3 per side) in headboard center panel into threaded inserts in headboard legs (F, G).



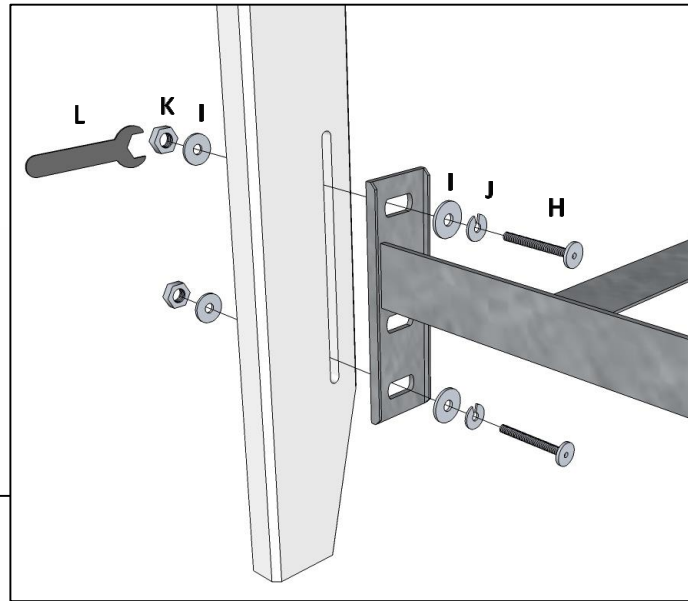
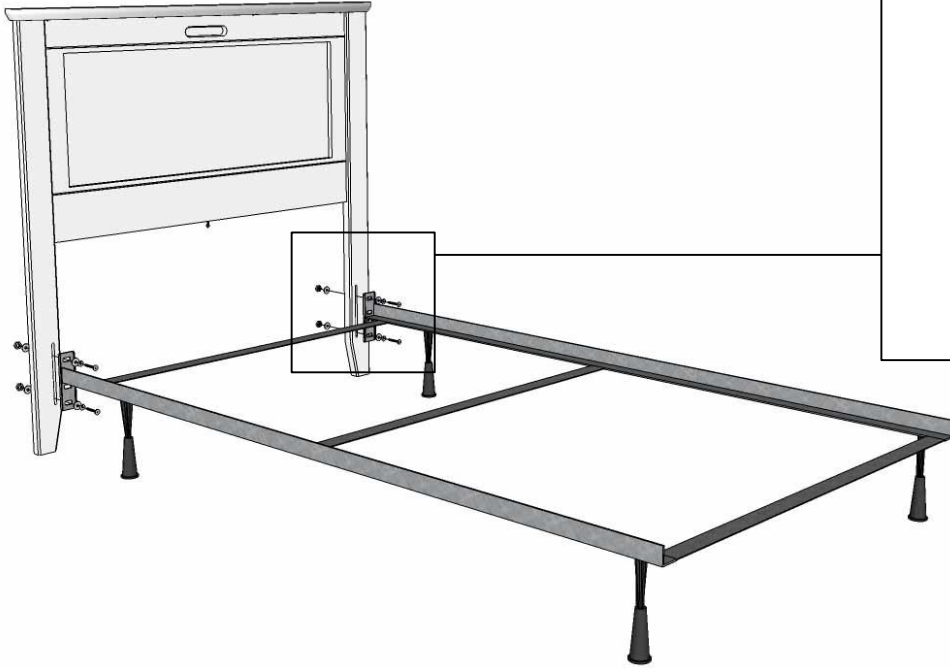
Step 3

1. Secure headboard caprail (F) to headboard center panel (G) with 4 wood screws (B) using a Phillips head screw driver (not included).



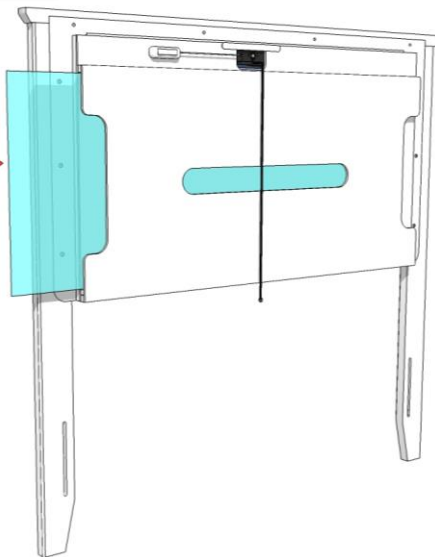
Step 4

1. Connect your assembled LightHeaded™ headboard to your metal bed frame (sold separately) with bolt (H) through lock washer (J), through metal washer (I), through metal bed frame (sold separately), through slot in wood headboard bed leg (F,G), through second metal washer (I), and tighten into hex nut (K) using the included wrench (L). Repeat this using 2 sets of nuts, washers, and bolts on each headboard leg.



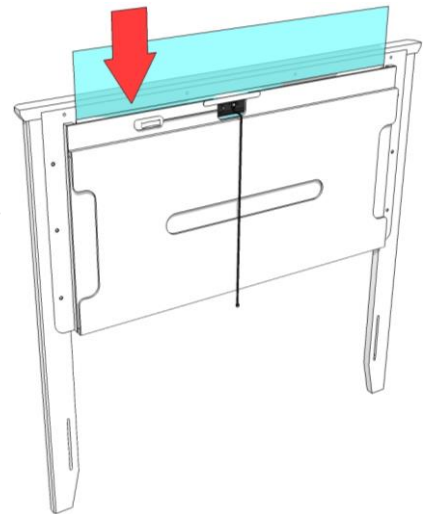
HeadLight Image Storage

Your LightHeaded™ Bed is designed with built in storage for extra HeadLight Images on the back of your headboard. You can slide the images in from either the left or right side. A long groove in the middle provides finger access to help you to slide images in and out easily. Please use this patented specially designed area to safely store up to 25 interchangeable LightHeaded™ graphic images and keep them clean and organized.



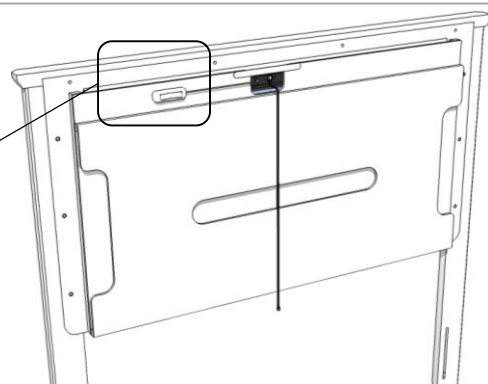
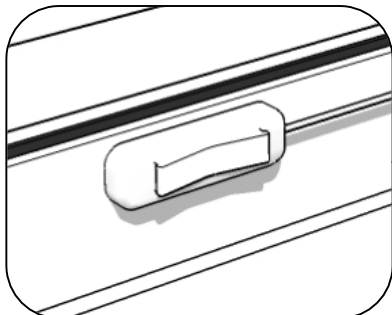
Changing Active HeadLight Image

Easily slide in and out the active HeadLight Image from the top of your headboard behind the caprail. For more information on how to use your LightHeaded™ Bed please refer to the Lighting User Guide in your TechBox (M).



On/Off Switch

On the back of your LightHeaded™ headboard, centered just below the top, is an On/Off switch which can be used to toggle the light component on or off.





Congratulations! Your LightHeaded™ bed is assembled and you are ready for the real fun.

- Hop online and surf our website LightHeadedBeds.com
- Create your own custom images or select from our massive gallery of amazing images including your favorite Disney®, DinoTrain®, Muppets®, and Marvel® characters.

One Year Limited Warranty

LightHeaded™ Beds warrants that for a period of one year from the date of purchase, this product will be free from defects in material and workmanship. LightHeaded™ Beds, at its option, will repair or replace the product or any component of the product found to be defective during the warranty period. Replacement will be made with a new or remanufactured product or component. If the product is no longer available, replacement may be made with a similar product of equal or greater value. This is your exclusive warranty.

This warranty is valid for the original retail purchaser from the date of initial retail purchase and is not transferable. Keep the original sales receipt. Proof of purchase is required for warranty service.

LightHeaded™ Beds dealers, service centers, or retail stores selling LightHeaded™ Beds products do not have the right to alter, modify, or in any way change the terms and conditions of this warranty.

This warranty does not cover normal wear and tear of parts or damage resulting from any of the following: negligent use or misuse of the product, use on improper voltage or current, use contrary to the operating instructions, electronics disassembly, repair or alteration by anyone other than LightHeaded™ Beds authorized service representatives.

What Are the Limits on LightHeaded™ Beds Liability?

LightHeaded™ Beds shall not be liable for any incidental or consequential damages caused by the breach of any express, implied, or statutory warranty or condition. Except to the extent prohibited by applicable law, any implied warranty or condition of merchantability or fitness for a particular purpose is limited to the duration of the above warranty. LightHeaded™ Beds disclaims all other warranties, conditions or representations, express, implied, statutory or otherwise.

LightHeaded™ Beds shall not be liable for any damages of any kind resulting from the purchase, use or misuse of, or inability to use the product including incidental, contract, fundamental or otherwise, or for any claim brought against purchaser by any other party.

1168366

How to Obtain Warranty Service

Please complete and return the product registration card. If you have questions regarding this warranty or would like to obtain warranty service, please call (800) 225-3865 or e-mail info@lighththeadbeds.com.

HeadLight Images

LightHeaded™ Beds are designed and tested to work exclusively with LightHeaded™ Beds printed and supplied “HeadLight Images”. HeadLight Images can only be ordered from www.LightHeadedBeds.com. This product is not intended for use with any other image inserts. Failure to use LightHeaded™ Beds supplied HeadLight Images exclusively will void warranty.

Got Questions?

Our friendly LightHeaded™ Customer Service team can help you by phone (800) 225-3865 or e-mail info@lighththeadbeds.com. Assembly and how to use videos are online at You-Tube and at LightHeadedBeds.com

