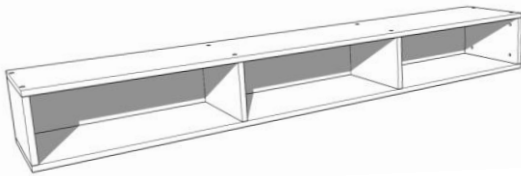

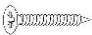


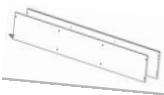
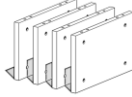



Before you begin:

- Make sure your bed's side rails are attached to the headboard and footboard posts in the upper position to accommodate this Underbed Storage. This will be the side rail's highest setting.
- Please assemble this Underbed Storage with 2 people.
- Lay out all of the parts listed below.
- Save all packing materials until assembly is complete to avoid accidentally discarding smaller parts or hardware.
- You will need a Phillips head screw driver (not included)



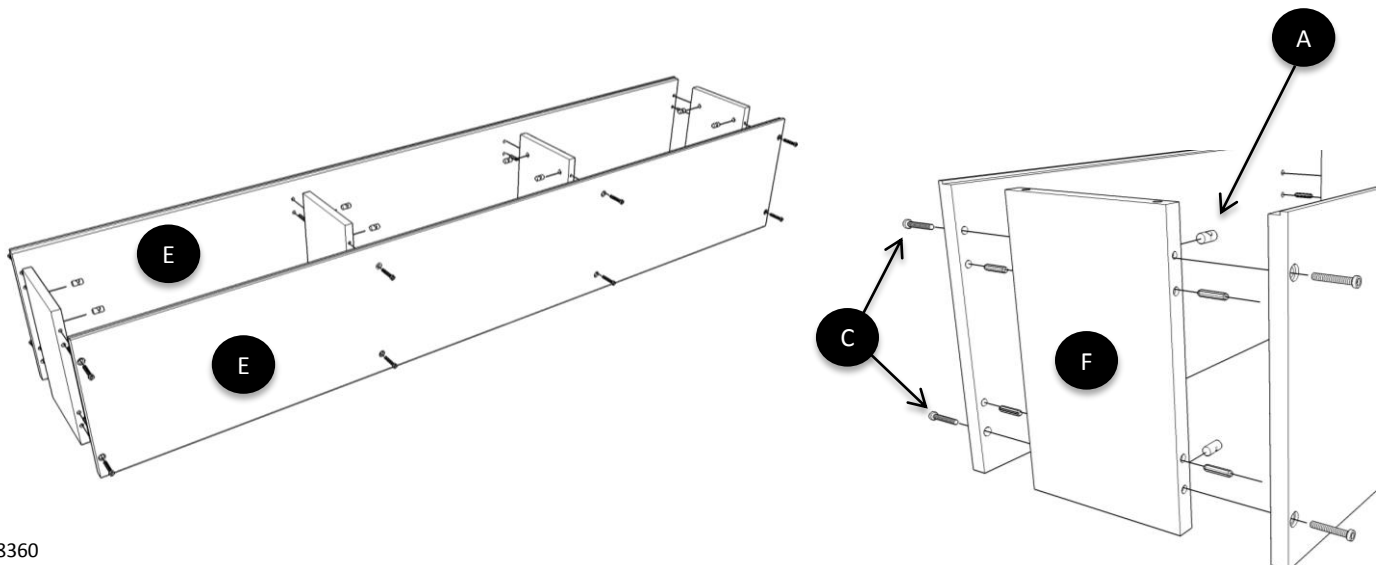
**Contact Us | (800) 225-3865 | info@lighthheadedbeds.com
www.lighthheadedbeds.com | Assembly videos on YouTube**

Parts List			
Part	Description	Quantity	
	A Hanger bolt	16	
	B 1/2" Wood screw	14	
	C Machine screw	16	
	D Allen wrench	1	
	E Top and Bottom Panels (#80000283 Cheshire Cherry; #80000284 Chocolate; #80000285 Chestnut; #80000286 Black; #80000287 White)	2	
	F Vertical Divider Panels (#80000293 Cheshire Cherry; #80000294 Chocolate; #80000295 Chestnut; #80000296 Black; #80000297 White)	4	
	G Back panel (#80000298 Cheshire Cherry; #80000299 Chocolate; #80000300 Chestnut; #80000301 Black; #80000302 White)	1	

Step 1

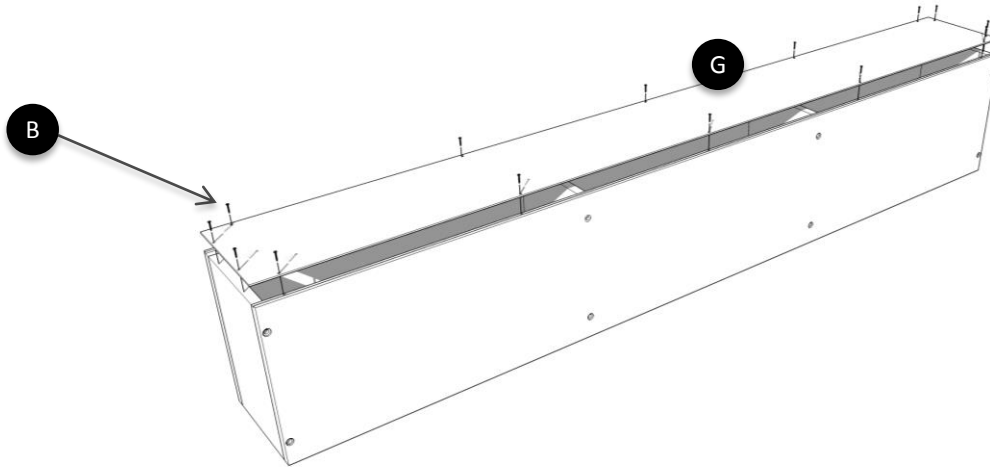
Attach the vertical divider panels to the top and bottom panels using the long machine screws, the hanger bolts, and the wood dowels.

1. Set out the top and bottom panels (E) so that the long flat edges are turned and facing up. This is the front of your underbed storage. The notched out edge will accommodate the back panel.
2. Insert the hanger bolts (A) into the holes in the vertical divider panels (F) as illustrated, with the screw driver slot facing out. When inserting the hanger bolt, align the threaded hole to face toward the top and bottom panels which are placed on edge.
3. Align the dowels with the holes in the top and bottom panels and loosely push the panels together.
4. Using the Allen wrench (D), tighten the long machine screws (C) through the holes in the top and bottom panels and into the holes in the vertical divider panels that contain the hanger bolts. The machine screws should thread into the hanger bolt and tighten.



Step 2

1. With the underbed storage unit face down on a soft surface and the vertical divider panels completely tightened, lay the back panel (G) inside the notched out center and line up the screw holes.
2. Insert wood screws (B) into back panel as illustrated.



Your underbed storage is ready to slide under your LightHeaded Bed™. Remember you can double up on storage and organization by using an underbed storage unit on each side.

One Year Limited Warranty

LightHeaded™ Beds warrants that for a period of one year from the date of purchase, this product will be free from defects in material and workmanship. LightHeaded™ Beds, at its option, will repair or replace the product or any component of the product found to be defective during the warranty period. Replacement will be made with a new or remanufactured product or component. If the product is no longer available, replacement may be made with a similar product of equal or greater value. This is your exclusive warranty.

This warranty is valid for the original retail purchaser from the date of initial retail purchase and is not transferable. Keep the original sales receipt. Proof of purchase is required for warranty service. LightHeaded™ Beds dealers, service centers, or retail stores selling LightHeaded™ Beds products do not have the right to alter, modify, or in any way change the terms and conditions of this warranty.

This warranty does not cover normal wear and tear of parts or damage resulting from any of the following: Negligent use or misuse of the product, use on improper voltage or current, use contrary to the operating instructions, electronics disassembly, repair or alteration by anyone other than LightHeaded™ Beds authorized service representatives.

What are the Limits on LightHeaded™ Beds Liability?

LightHeaded™ Beds shall not be liable for any incidental or consequential damages caused by the breach of any express, implied, or statutory warranty or condition. Except to the extent prohibited by applicable law, any implied warranty or condition of merchantability or fitness for a particular purpose is limited in duration to the duration of the above warranty. LightHeaded™ Beds disclaims all other warranties, conditions or representations, express, implied, statutory or otherwise. LightHeaded™ Beds shall not be liable for any damages of any kind resulting from the purchase, use or misuse of, or inability to use the product including incidental, special, consequential or similar damages or loss of profits, or for any breach of contract, fundamental or otherwise, or for any claim brought against purchaser by any other party.

How to Obtain Warranty Service

We suggest you complete and return the product registration card that was included with your bed. This will help us to promptly facilitate verification of the date of your original purchase. If you have any questions regarding this warranty or would like to obtain warranty service, please call (800) 225-3865 and a friendly Customer Service Representative will assist you.

Got questions?

Our friendly LightHeaded™ Customer Service Rep can help you at 800-225-3865 or e-mail us at info@LightHeadedBeds.com. Assembly videos are available on [You-Tube](#). Thanks from the folks at www.LightHeadedBeds.com

