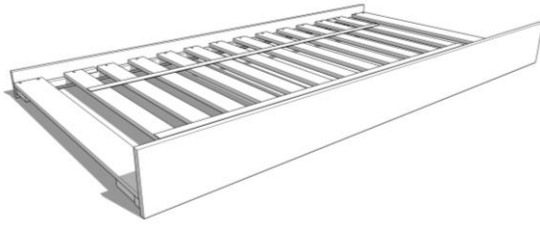


**Before you begin:**







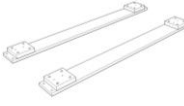






- Make sure your bed's side rails are attached to the headboard and footboard posts in the upper position to accommodate this Trundle Bed. This will be the side rail's highest setting.
- Please assemble this Trundle Bed with 2 people.
- Layout all of the parts listed below.
- Save all packing materials until assembly is complete to avoid accidentally discarding smaller parts or hardware.
- You will need a Phillips head screw driver (not included)

Use a with 6" thick mattress.

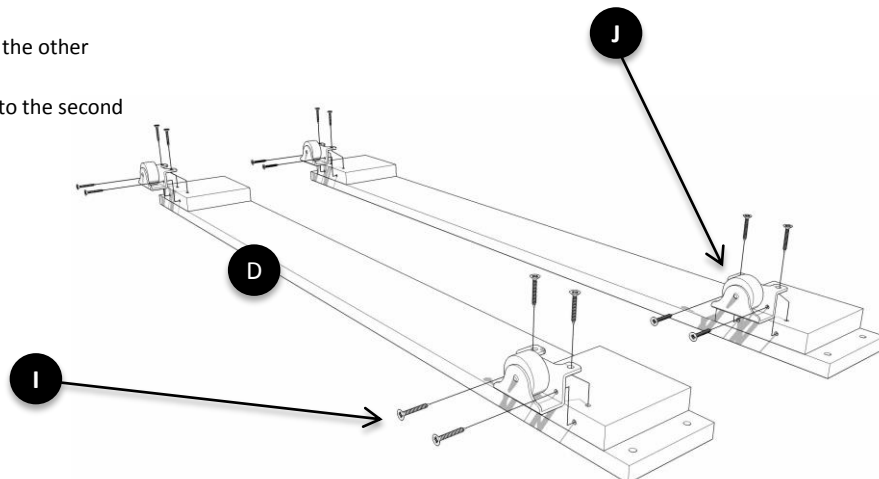
**Contact Us | (800) 225-3865 | [info@lighthheadedbeds.com](mailto:info@lighthheadedbeds.com)**  
**[www.lighthheadedbeds.com](http://www.lighthheadedbeds.com) | Assembly videos on YouTube**

**Parts List**

Part	Description	Quantity	Part	Description	Quantity
	<b>A</b> Front Panel (Part #80000270 Cheshire Cherry; #80000271 Chocolate; #80000272 Chestnut; #80000273 Black; #80000274 White)	1		<b>F</b> Flat washer for Hex head machine screws	8
	<b>B</b> Back Panel (Part #80000458 Cheshire Cherry; #80000459 Chocolate; #80000460 Chestnut; #80000461 Black; #80000462 White)	1		<b>G</b> Lock washer	8
	<b>C</b> Roll-out slats (mattress support) (Part #80000280)	1		<b>H</b> 1" Wood screws for slats	24
	<b>D</b> End cross braces (#80000275 Cheshire Cherry; #80000276 Chocolate; #80000277 Chestnut; #80000278 Black; #80000279 White)	2		<b>I</b> ¾" Wood screws for casters	16
	<b>E</b> 1-1/4" Hex head machine screws	8		<b>J</b> Casters (#80000281)	4
				<b>K</b> Allen wrench	1

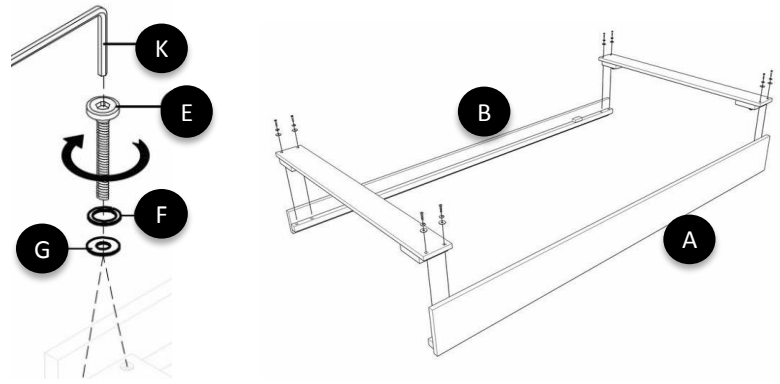
**Step 1**

1. Attach a caster (J) to one end of a cross brace (D) using 2 short (3/4") wood screws (I).
2. Repeat step one to attach another caster to the other end of the same cross brace.
3. Repeat steps one and two to attach casters to the second cross brace.



## Step 2

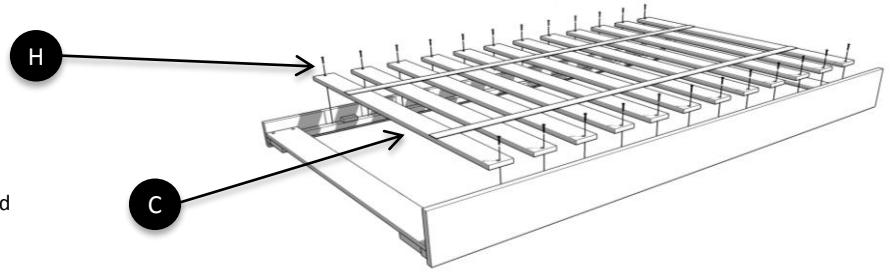
1. Place front panel (A) with cleat near the bottom. Thread together 1 machine screw (E), 1 flat washer (F), and 1 lock washer (G). Place one assembled cross brace (with casters facing down) to the right of wood cleat on the right end of front panel (see detail drawing). Use Allen wrench (K) to tighten.
2. Attach the other end of the assembled cross brace to the back panel (B) using an identical assembly of 1 machine screw, 1 flat washer, and 1 lock washer as in above instruction.
3. Repeat steps one and two above to attach the left end cross brace to front and back panels.



## Step 3

Spread the mattress support roll-out slats (C) on the top of the wood cleat and secure with wood screws (H) through each slat.

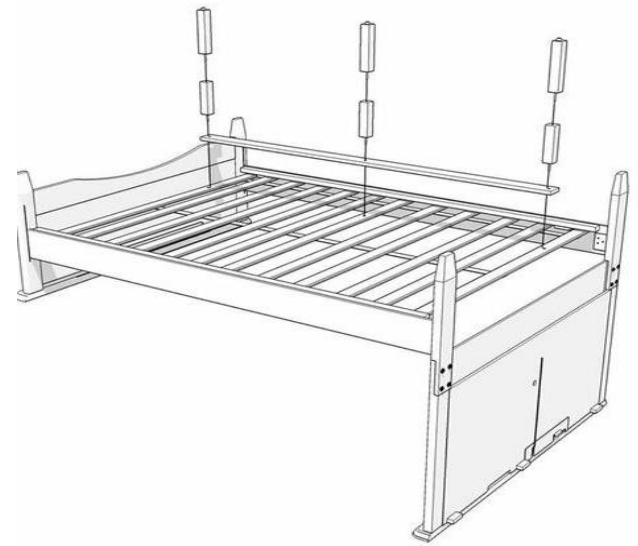
You have now completed the Twin Trundle Bed assembly and can install your 6" mattress and slide under your twin size LightHeaded Bed™.



## For Full size beds (additional assembly adjustments)

**NOTE:** Picture shows bed upside down for reference only. Do not turn your bed upside down.

1. If you have a full size LightHeaded Bed™ you will need to hook the bed's side rails to the top two metal pins in the vertical slots on the headboard and footboard legs. This will be the side rail's highest setting.
2. Next you need to move the center support rail and legs to the left or right setting so you can roll the twin trundle beneath the full size bed. Turn the legs to separate them from the center support rail. You will need to use two legs to correspond with the bed's side rails on the higher setting. (Reference your bed instructions for more detail).
3. Shift the center support rail to align with the threaded t-nuts on the underside of the wood slats. You can use the left of center or right of center holes depending on how you want to set up your trundle bed.
4. Attach the support legs (long and short combined) through the holes in the center support rail and into the threaded t-nuts on the underside of the slats.
5. You have now completed the additional assembly adjustments for your full size bed and you can now install your 6" mattress and slide under your full bed.



## One Year Limited Warranty

LightHeaded™ Beds warrants that for a period of one year from the date of purchase, this product will be free from defects in material and workmanship. LightHeaded™ Beds, at its option, will repair or replace the product or any component of the product found to be defective during the warranty period. Replacement will be made with a new or remanufactured product or component. If the product is no longer available, replacement may be made with a similar product of equal or greater value. This is your exclusive warranty.

This warranty is valid for the original retail purchaser from the date of initial retail purchase and is not transferable. Keep the original sales receipt. Proof of purchase is required for warranty service. LightHeaded™ Beds dealers, service centers, or retail stores selling LightHeaded™ Beds products do not have the right to alter, modify, or in any way change the terms and conditions of this warranty.

This warranty does not cover normal wear and tear of parts or damage resulting from any of the following: Negligent use or misuse of the product, use on improper voltage or current, use contrary to the operating instructions, electronics disassembly, repair or alteration by anyone other than LightHeaded™ Beds authorized service representatives.

## What are the Limits on LightHeaded™ Beds Liability?

LightHeaded™ Beds shall not be liable for any incidental or consequential damages caused by the breach of any express, implied, or statutory warranty or condition. Except to the extent prohibited by applicable law, any implied warranty or condition of merchantability or fitness for a particular purpose is limited in duration to the duration of the above warranty. LightHeaded™ Beds disclaims all other warranties, conditions or representations, express, implied, statutory or otherwise. LightHeaded™ Beds shall not be liable for any damages of any kind resulting from the purchase, use or misuse of, or inability to use the product including incidental, special, consequential or similar damages or loss of profits, or for any breach of contract, fundamental or otherwise, or for any claim brought against purchaser by any other party.

## How to Obtain Warranty Service

We suggest you complete and return the product registration card that was included with your bed. This will help us to promptly facilitate verification of the date of your original purchase. If you have any questions regarding this warranty or would like to obtain warranty service, please call (800) 225-3865 and a friendly Customer Service Representative will assist you.