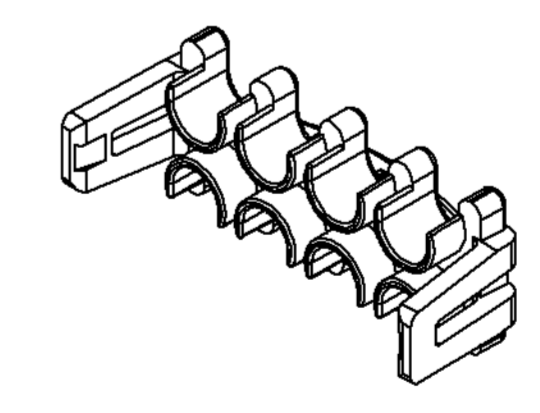
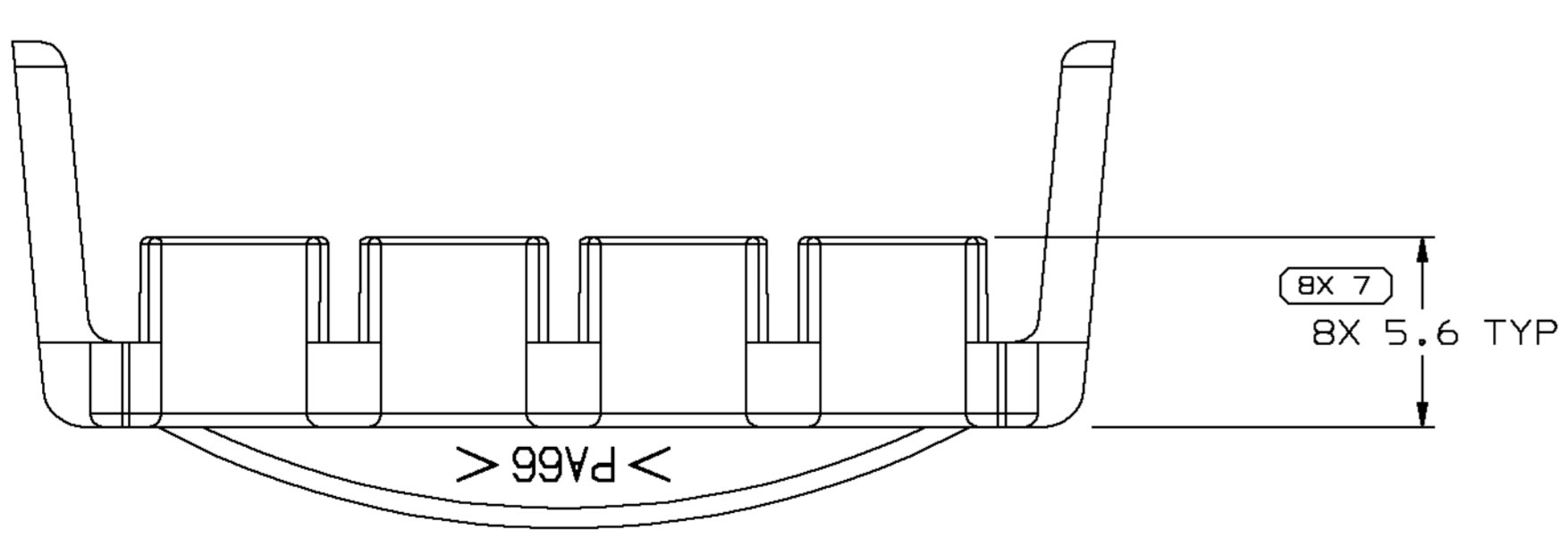
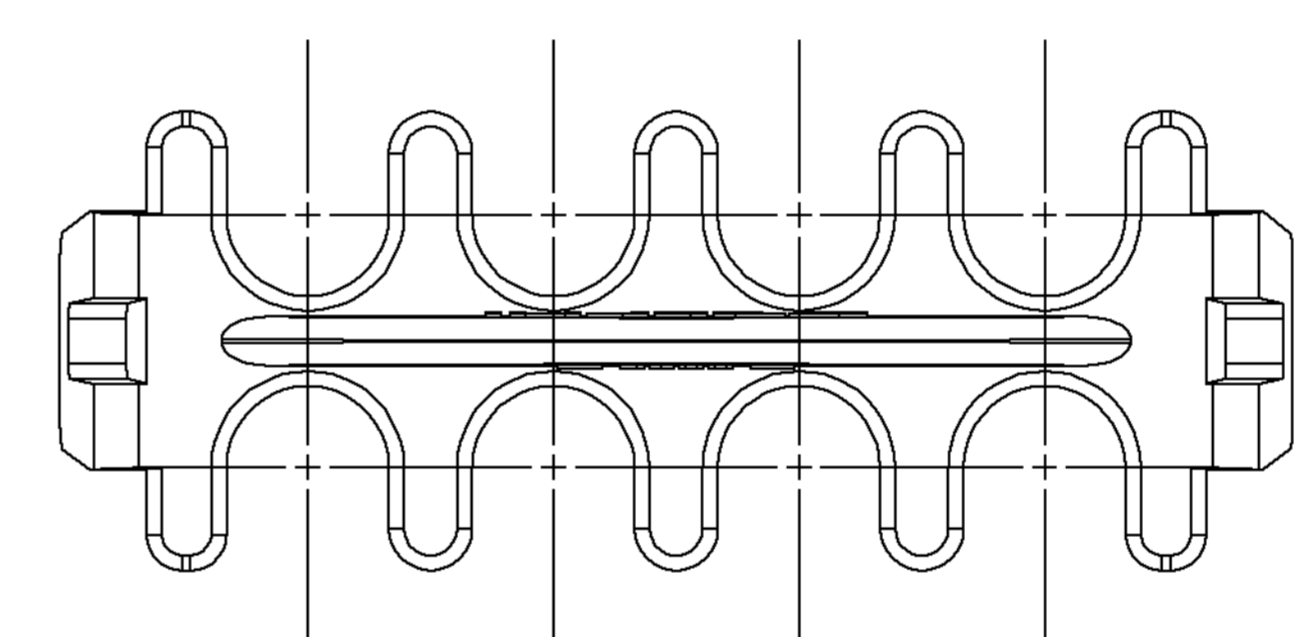
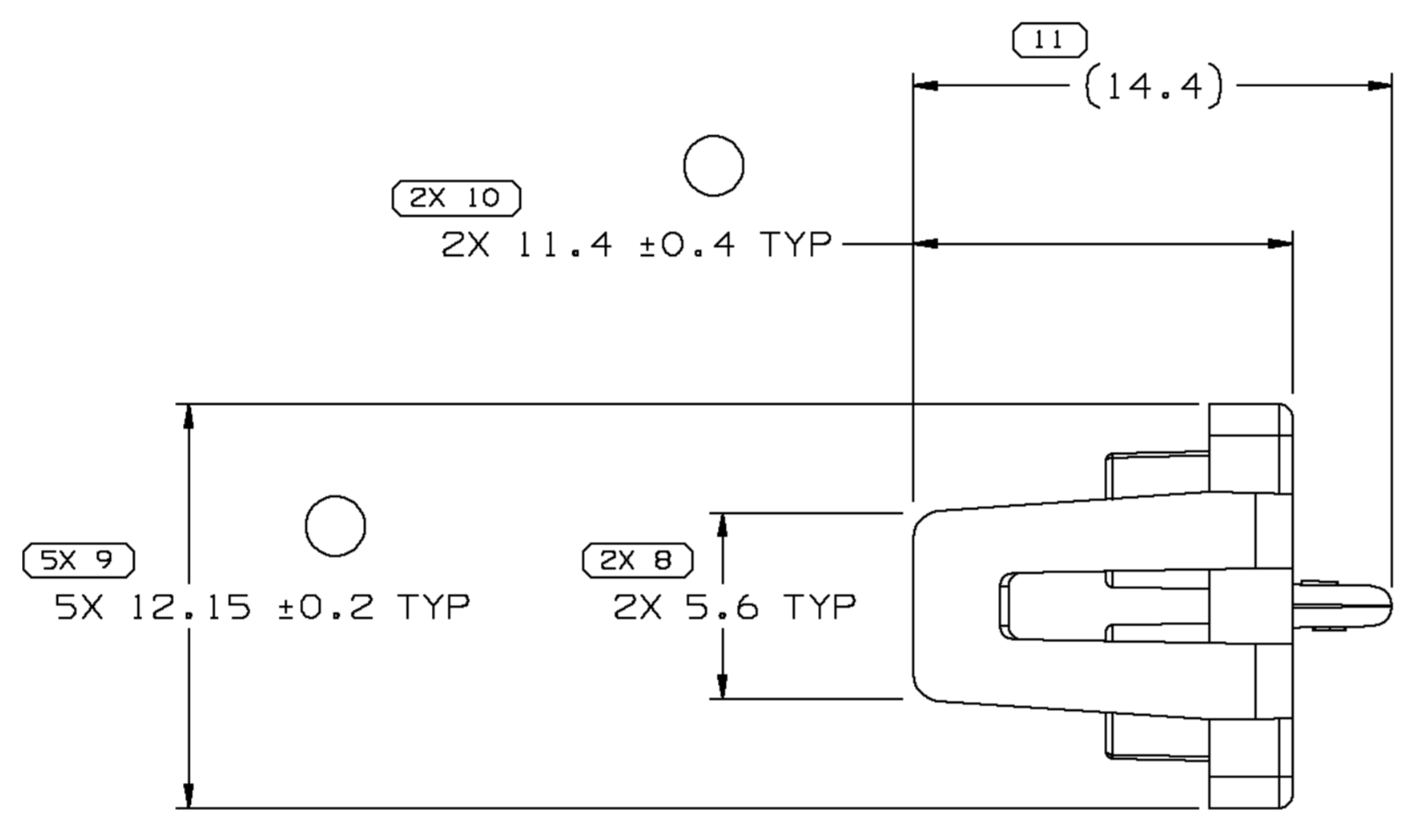
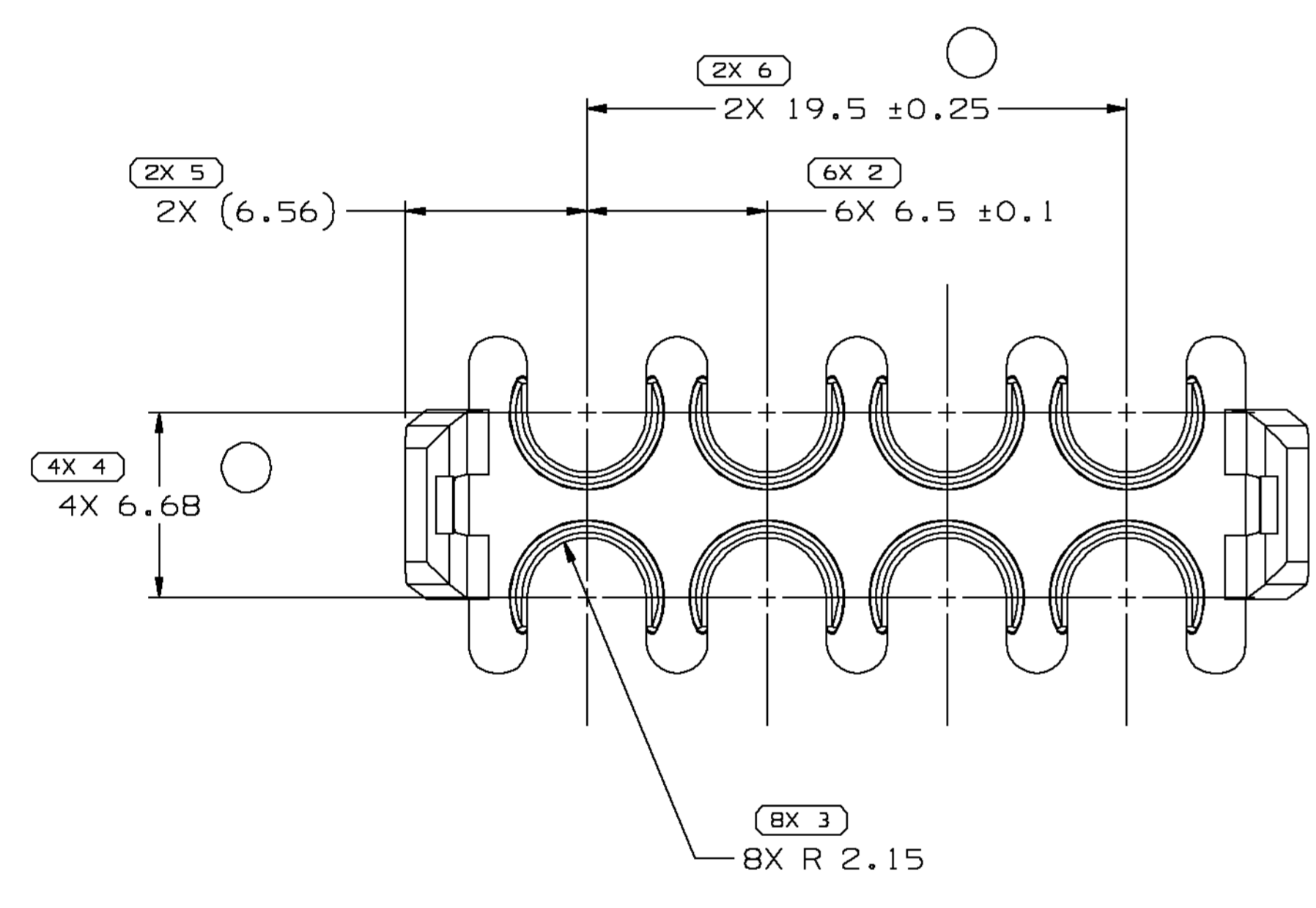
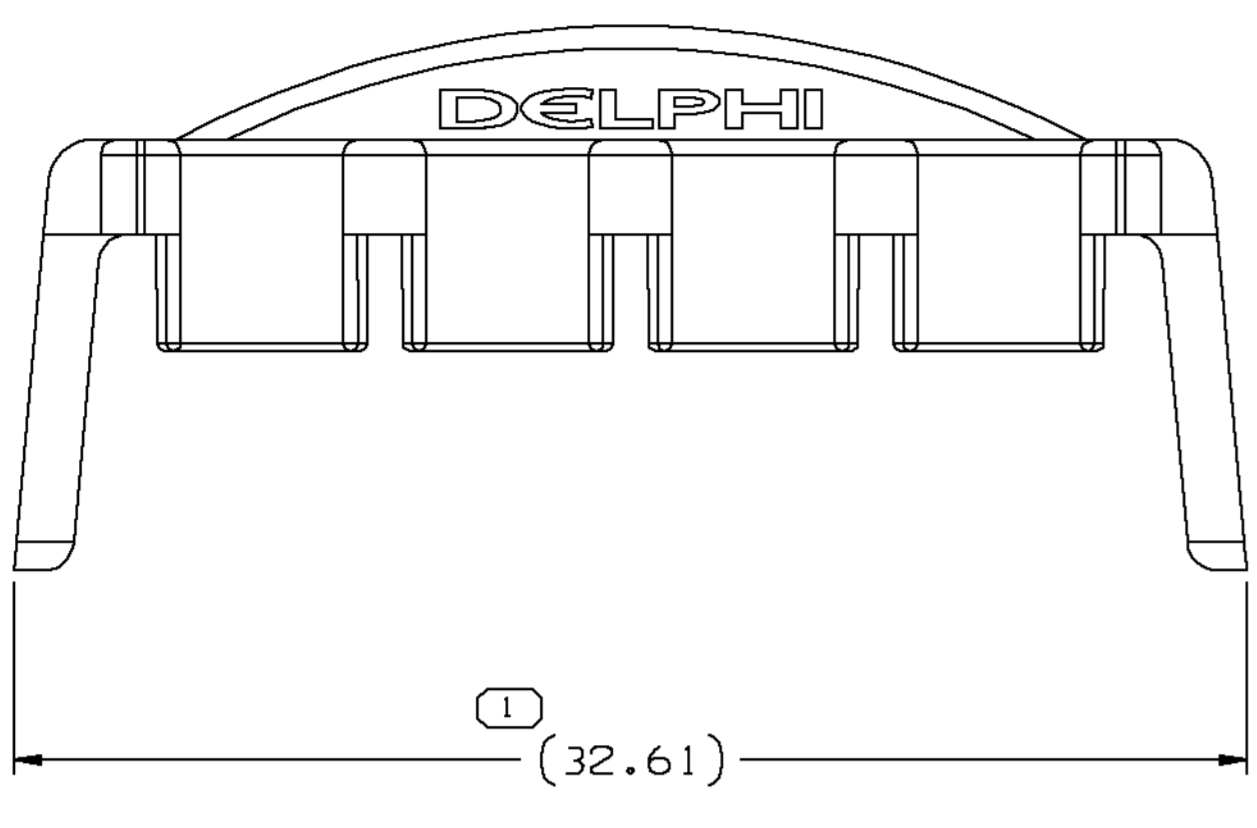


SYMBOL DEFINITION		MISSING SYMBOLS	
A DIMENSION WITHOUT AN INSPECTION REPORT SYMBOL DOES NOT REQUIRE INSPECTION. IT MAY BE CONTROLLED ON THE INDIVIDUAL COMPONENT DRAWING.	TOTAL NO OF INSPECTIONS REQUIRED	NO MISSING SYMBOL NUMBER	
	41		
	LAST NO. USED		
	11		

DWG STATUS				REVISION HISTORY				AUTH	DR	APVD	APVD
DATE	STG	REV	W/P	CHG	ZONE	Cleared Rev Col & Revised Tolerances - SPLCS		224660	CJC	CJC	JM
26AP02	R	01	AA	-							



VIEW SCALE DOES NOT REFLECT ACTUAL PART SIZE

- NOTES
- UNLESS OTHERWISE SPECIFIED AND/OR INDICATED: DIMENSIONS ARE TO FACE OF VIEW SHOWN AND AUTOMATICALLY ROUNDED BY COMPUTER FOR INSPECTION (SEE MATH MODEL FOR PRECISE DIMENSIONS). FOR ALL OTHER DIMENSIONS NOT SHOWN BUT REQUIRED FOR TOOL BUILD, SEE MATH MODEL FOR PRECISE TOOL PATH DATA.
  - MATING COMPONENTS OR EQUIVALENT: 15326654 & 15326655
  - THIS PART IS NOT CONTROLLED FOR AUTOMATIC FEEDING.
  - MATERIAL RECYCLING CODE >PA66< PER SAE J1344. (1)(X)(0.1) RAISED CHARACTERS AS SHOWN TO BE LOCATED ON ANY EXTERIOR SURFACE. OPTIONAL CONSTRUCTION TO BE NO MATERIAL RECYCLING CODE.
  - (1)(X)(0.1) RAISED DELPHI CORPORATE BRAND TO BE LOCATED ON ANY EXTERIOR SURFACE, PREFERABLY VISIBLE AT FINAL ASSEMBLY. OPTIONAL CONSTRUCTION TO BE "PED" OR NO LOGO.

		<table border="1"> <tr> <th colspan="2">DIMENSIONAL RANGE (MM)</th> <th colspan="2">CHART ET</th> </tr> <tr> <td>FROM</td> <td>TO</td> <td>0</td> <td>400</td> </tr> <tr> <td>&gt; 0</td> <td>&gt; 20</td> <td>&gt; 30</td> <td>&gt; 70</td> </tr> <tr> <td>&gt; 20</td> <td>&gt; 30</td> <td>&gt; 70</td> <td>&gt; 100</td> </tr> <tr> <td>&gt; 30</td> <td>&gt; 70</td> <td>&gt; 100</td> <td>&gt; 150</td> </tr> <tr> <td>&gt; 70</td> <td>&gt; 100</td> <td>&gt; 150</td> <td>&gt; 200</td> </tr> <tr> <td>&gt; 100</td> <td>&gt; 150</td> <td>&gt; 200</td> <td>&gt; 250</td> </tr> <tr> <td>&gt; 150</td> <td>&gt; 200</td> <td>&gt; 250</td> <td>&gt; 300</td> </tr> <tr> <td>&gt; 200</td> <td>&gt; 250</td> <td>&gt; 300</td> <td>&gt; 400</td> </tr> <tr> <td colspan="2">TOLERANCE UNLESS OTHERWISE SPECIFIED</td> <td colspan="2">ANGULAR TOLERANCE ±2°</td> </tr> <tr> <td>±0.15</td> <td>±0.2</td> <td>±0.3</td> <td>±0.4</td> </tr> <tr> <td>±0.4</td> <td>±0.5</td> <td>±0.6</td> <td>±1</td> </tr> <tr> <td>±1</td> <td>±1.2</td> <td></td> <td></td> </tr> </table>	DIMENSIONAL RANGE (MM)		CHART ET		FROM	TO	0	400	> 0	> 20	> 30	> 70	> 20	> 30	> 70	> 100	> 30	> 70	> 100	> 150	> 70	> 100	> 150	> 200	> 100	> 150	> 200	> 250	> 150	> 200	> 250	> 300	> 200	> 250	> 300	> 400	TOLERANCE UNLESS OTHERWISE SPECIFIED		ANGULAR TOLERANCE ±2°		±0.15	±0.2	±0.3	±0.4	±0.4	±0.5	±0.6	±1	±1	±1.2			<table border="1"> <tr> <td>THIRD ANGLE PROJECTION</td> <td>DO NOT SCALE</td> </tr> <tr> <td>USE MATH DATA</td> <td>UNIGRAPHICS</td> </tr> </table>	THIRD ANGLE PROJECTION	DO NOT SCALE	USE MATH DATA	UNIGRAPHICS
DIMENSIONAL RANGE (MM)		CHART ET																																																									
FROM	TO	0	400																																																								
> 0	> 20	> 30	> 70																																																								
> 20	> 30	> 70	> 100																																																								
> 30	> 70	> 100	> 150																																																								
> 70	> 100	> 150	> 200																																																								
> 100	> 150	> 200	> 250																																																								
> 150	> 200	> 250	> 300																																																								
> 200	> 250	> 300	> 400																																																								
TOLERANCE UNLESS OTHERWISE SPECIFIED		ANGULAR TOLERANCE ±2°																																																									
±0.15	±0.2	±0.3	±0.4																																																								
±0.4	±0.5	±0.6	±1																																																								
±1	±1.2																																																										
THIRD ANGLE PROJECTION	DO NOT SCALE																																																										
USE MATH DATA	UNIGRAPHICS																																																										

**DELPHI**  
DELPHI PACKARD ELECTRIC SYSTEMS  
WARREN, OH

DR	DATE
APVD1 LUIS ORDUNA A.	06MR02
APVD2 G. G. IZQUIERDO	07MR02
APVD3 JEFF MENDENHALL	08MR02
APVD4	
APVD5	

MATERIAL: M3592025 PA66 HS 1M GRA MD

DRAWING NAME: TPA 8F GT 280 SLD

DRAWING NUMBER: 15430896

SIZE: A0	SCALE: 5:1	FRAME NO: 1	SHEET NO: 1	STG: R	REV: 01	W/P: AA	APVD: JM
----------	------------	-------------	-------------	--------	---------	---------	----------