

# PROFIBUS\* Brad® Mini-Change® Auxiliary Power A-Size Double-Ended Cordsets

**130010**  
Internal Thread Female  
External Thread Male  
Straight, Right Angle



### Features and Benefits

- Patented QuadBeam™ contact design for reliability and low resistance
- Flex-rated TC-ER cable

### Reference Information

UL File No.: E152210  
CSA File No.: LR6837

### Electrical

Voltage: 600V AC/DC

### Mechanical

Wire Size: 16 AWG

### Physical

Connector Face: PVC  
Connector Body: PVC  
Contact: Brass with Gold over Nickel plating  
Coupling Nut: Black epoxy-coated Zinc  
Cable Jacket Color: Yellow  
Cables: K12 and K13—UL Type TC-ER, Flex rated  
A38 and A01—UL Type STOOW, extra hard service cord

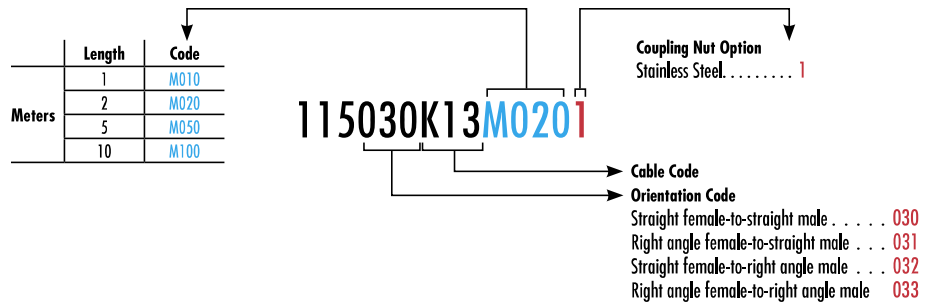
### Environmental

Protection: IP67

Poles (Female View)		Current	Wire Cable Type	Cable Jacket (Cable Code)	Length	Female Straight-to-Male Straight		Female Right Angle-to-Male Right Angle	
		8.0A	TC-ER	TPE (K13)	2.0m	Engineering No.	Standard Order No.	Engineering No.	Standard Order No.
								STOOW	PVC (A01)
		115030A01M020	130010-1256	115033A01M020	130010-1303				

Note: Sales drawings for all standard order numbers are available on [molex.com](http://molex.com)  
\*PROFIBUS is a trademark of PROFIBUS International

**Configuration Code†**  
Build-a-Part Number



†Once an engineering number is created using the configuration code, consult Molex tech support for information regarding any part numbers.