

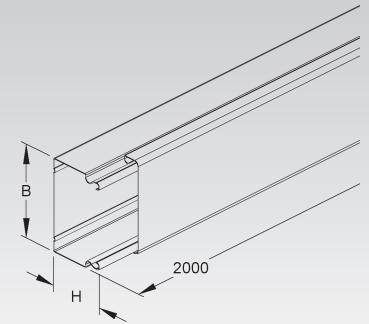
## Channel Cable Tray

solid bottom, including cover

	model no.	height H		width B		RAL colour	Weight per 100 m kg	Pack/Box Qty
		mm	Inch	mm	Inch			
S	LUK 40.040	40	1,6	40	1,6	—	80	12 x 2 m
S	LUK 40.060	40	1,6	60	2,4	—	147	6 x 2 m
S	LUK 60.060	60	2,4	60	2,4	—	171	6 x 2 m
S	LUK 60.100	60	2,4	100	3,9	—	218	4 x 2 m
S	LUK 60.150	60	2,4	150	5,9	—	332	2 x 2 m
S	LUK 60.200	60	2,4	200	7,9	—	403	2 x 2 m
S	LUK 80.080	79	3,1	80	3,1	—	262	4 x 2 m
S	LUK 100.100	100	3,9	100	3,9	—	321	4 x 2 m
E3	LUK 40.040 E3	40	1,6	40	1,6	—	80	12 x 2 m
E3	LUK 40.060 E3	40	1,6	60	2,4	—	147	6 x 2 m
E3	LUK 60.060 E3	60	2,4	60	2,4	—	171	6 x 2 m
E3	LUK 60.100 E3	60	2,4	100	3,9	—	218	4 x 2 m
E3	LUK 60.200 E3	60	2,4	200	7,9	—	403	2 x 2 m
E3	LUK 80.080 E3	79	3,1	80	3,1	—	262	4 x 2 m

Please use LST... snapin splice plates for proper mechanical and electrical connections.

Height 40 mm	Nominal 1 5/8 inches	Height 60 mm	Nominal 2 3/4 inches	Height 80 mm	Nominal 3 inches	Height 100 mm	Nominal 4 inches	
--------------------	----------------------------	--------------------	----------------------------	--------------------	------------------------	---------------------	------------------------	--



## Splice Plate

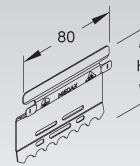
with flat contact pin (6,3 mm) for protective grounding

	model no.	height H		Weight per 100 pcs kg	Pack/Box Qty
		mm	Inch		
S	LST 40	40	1,6	1,77	20
S	LST 60	60	2,4	2,71	20
S	LST 80	80	3,1	3,70	20
S	LST 100	100	3,9	4,63	20
E3	LST 40 E3	40	1,6	1,88	20
E3	LST 60 E3	60	2,4	2,88	20
E3	LST 80 E3	80	3,1	3,85	20
E3	LST 100 E3	100	3,9	4,90	20

mechanical splice and electrical connector for Channel Cable Tray

2 pieces required per joint

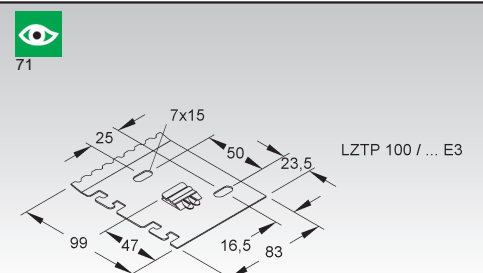
Height 40 mm	Nominal 1 5/8 inches	Height 60 mm	Nominal 2 3/4 inches	Height 80 mm	Nominal 3 inches	Height 100 mm	Nominal 4 inches	
--------------------	----------------------------	--------------------	----------------------------	--------------------	------------------------	---------------------	------------------------	--



## Mounting Plate for Barrier Strip

with strain relief

	model no.	depth T	Weight per 100 pcs kg	Pack/Box Qty
		mm		
S	LZTP 100	99	5,48	20
S	LZTP 150	149	8,29	20
S	LZTP 200	199	11,10	20
E3	LZTP 100 E3	99	6,13	20
E3	LZTP 200 E3	199	12,41	20



## Barrier Strip

	model no.	height H		depth T	Weight per 100 m kg	Pack/Box Qty
		mm	Inch			
S	TPS 30	11	0,4	30	36,47	10 x 2 m
S	TPS 50	11	0,4	50	48,31	10 x 2 m
S	TPS 70	11	0,4	70	59,97	10 x 2 m
S	TPS 90	11	0,4	90	71,72	10 x 2 m
E3	TPS 50 E3	11	0,4	50	51,73	10 x 2 m
E3	TPS 90 E3	11	0,4	90	76,86	10 x 2 m

to separate wires and cables of different voltage levels or with different functions

Suitable for: Channel Cable Tray

Height 30 mm	Nominal 1 1/8 inches	Height 50 mm	Nominal 2 inches	Height 70 mm	Nominal 2 3/4 inches	Height 90 mm	Nominal 3 1/2 inches	
--------------------	----------------------------	--------------------	------------------------	--------------------	----------------------------	--------------------	----------------------------	--

