

CHANNEL CABLE TRAY


Channel Cable Tray

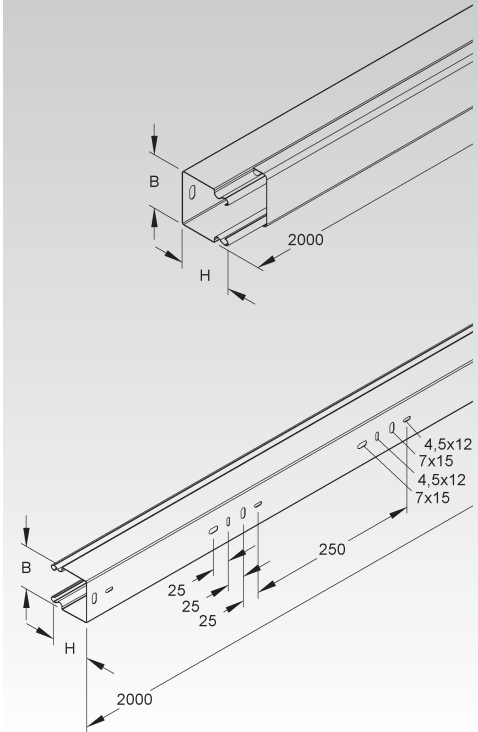
with perforated bottom, cover included

	model no.	height H		width B		RAL colour	Weight per 100 m kg	Pack/Box Qty
		mm	Inch	mm	Inch			
S	LLK 40.040	40	1,6	40	1,6	—	94,16	12 x 2 m
S	LLK 40.060	40	1,6	60	2,4	—	147,00	6 x 2 m
S	LLK 60.060	60	2,4	60	2,4	—	174,74	6 x 2 m
E3	LLK 40.040 E3	40	1,6	40	1,6	—	94,76	12 x 2 m
E3	LLK 40.060 E3	40	1,6	60	2,4	—	147,00	6 x 2 m
E3	LLK 60.060 E3	60	2,4	60	2,4	—	184,26	6 x 2 m

Hole pattern may vary based on width of tray.

Please use LST... snapin splice plates for proper mechanical and electrical connections.

Height 40 mm
Nominal 1 5/8 inches
Height 60 mm
Nominal 2 3/8 inches




Channel Cable Tray

with perforated bottom, cover included

	model no.	height H		width B		distance between drilling holes A	RAL colour	Weight per 100 m kg	Pack/Box Qty
		mm	Inch	mm	Inch				
S	LLK 60.100	60	2,4	100	3,9	50	—	235,73	4 x 2 m
S	LLK 60.150	60	2,4	150	5,9	100	—	332,00	2 x 2 m
S	LLK 60.200	60	2,4	200	7,9	150	—	421,68	2 x 2 m
S	LLK 80.080	80	3,1	80	3,1	30	—	233,68	4 x 2 m
S	LLK 100.100	100	3,9	100	3,9	50	—	318,00	4 x 2 m
E3	LLK 60.100 E3	60	2,4	100	3,9	50	—	249,27	4 x 2 m
E3	LLK 60.200 E3	60	2,4	200	7,9	150	—	403,00	2 x 2 m
E3	LLK 80.080 E3	79	3,1	80	3,1	30	—	249,90	4 x 2 m
E3	LLK 100.100 E3	100	3,9	100	3,9	50	—	318,00	4 x 2 m

Hole pattern may vary based on width of tray.

Please use LST... snapin splice plates for proper mechanical and electrical connections.

Height 60 mm
Nominal 2 3/8 inches
Height 80 mm
Nominal 3 inches
Height 100 mm
Nominal 4 inches