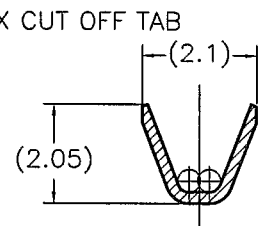
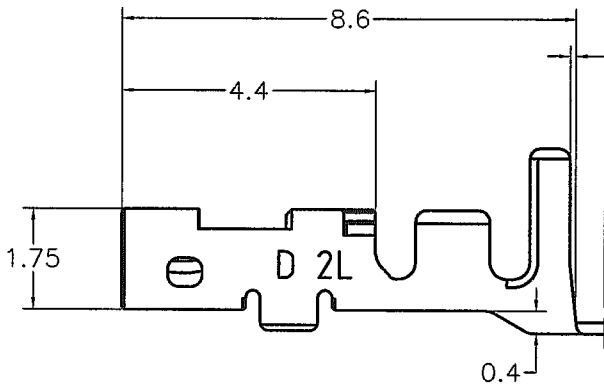
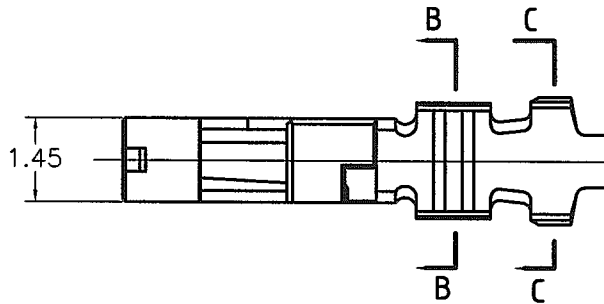
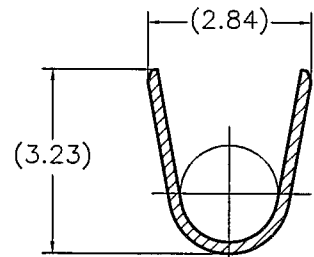


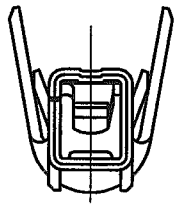
LOC J	DIST —	REVISIONS 変更			DATE	DWN	APVD
		P	LTR	DESCRIPTION			
		A		RELEASED	23MAR2005	T.K	D.M



SECT. B-B



SECT. C-C



NOTE

1. GENERAL TOLERANCE : $\pm 0.3, \pm 3^\circ$
2. Application REC-HSG is applied to the product of 2.5mm PITCH or more of DYNAMIC D1000SERIES. 2.0mm PITCH cannot be used

1827589-2
PART NUMBER

DIMENSIONS: 單位：毫米 mm	DWN T.KUDO	23MAR2005	MATERIAL 材料	COPPER ALLOY	FINISH OVER Ni PL : 1.27 μ m MIN 仕上 Au PL(CONTACT AREA):0.38 μ m MIN
	CHK D.MITSUGI	23MAR2005	Tyco Electronics AMP K.K. Kawasaki, Japan		
TOLERANCES UNLESS OTHERWISE SPECIFIED. 一般公差	APVD D.MITSUGI	23MAR2005			
0 PLC $\pm -$ 1 PLC $\pm -$ 2 PLC $\pm -$ 3 PLC $\pm -$ 4 PLC $\pm -$ ANGLES $\pm -$	PRODUCT SPEC 製品規格	108-78268		SIZE	A4
	APPLICATION SPEC 取付適用規格	114-5377		CAGE CODE	00779
	WEIGHT	—		DRAWING NO 番号	1827589
	CUSTOMER DRAWING			RESTRICTED TO	—
				SCALE 尺度	8:1
				SHEET	1 OF 1
				REV	A