

4

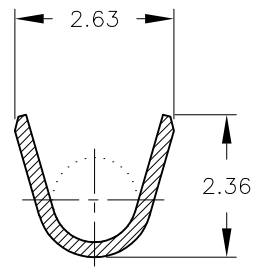
3

2

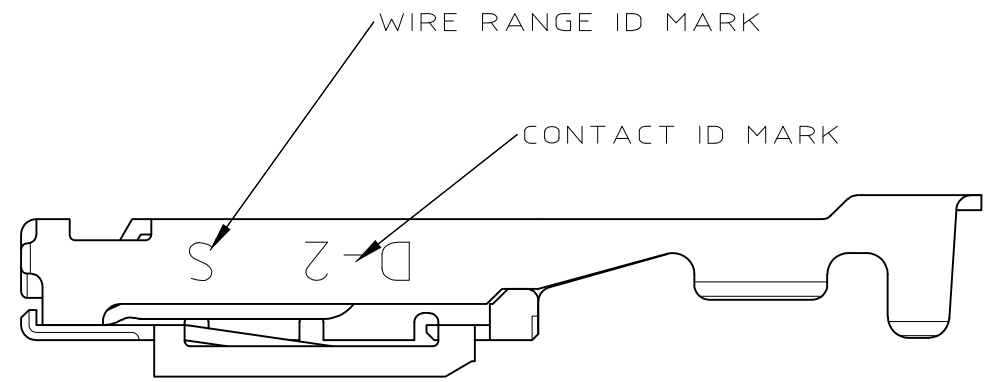
1

THIS DRAWING IS UNPUBLISHED. RELEASED FOR PUBLICATION ,1998
 © COPYRIGHT 1998 ALL RIGHTS RESERVED.

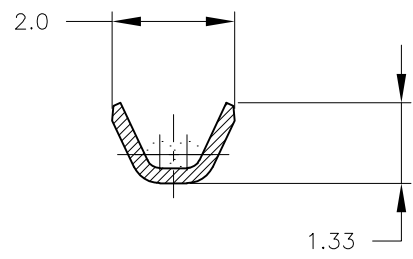
LOC		DIST		REVISIONS			
P	LTR	DESCRIPTION		DATE	DWN	APVD	
	D	REVISED		11APR'14	T.S	N.Y	



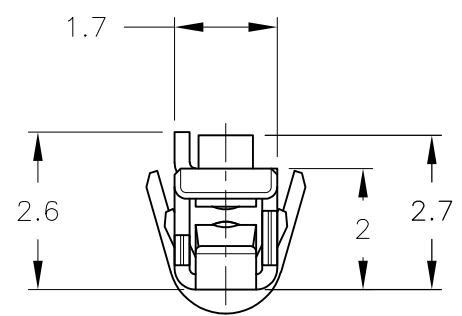
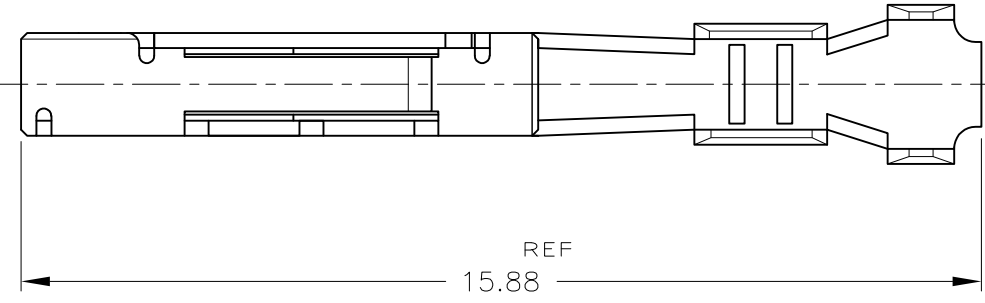
SECT B-B



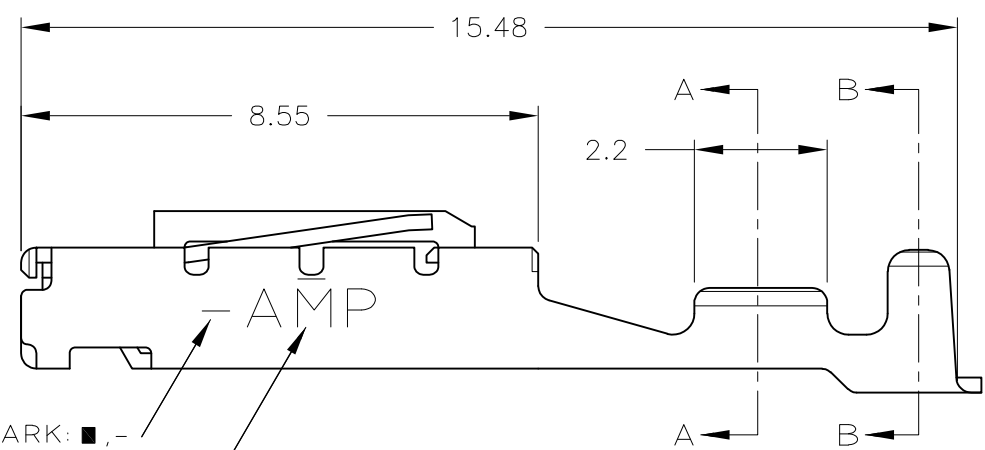
-1:AS SHOWN



SECT A-A



TOOLING ID MARK: ■,-



AMP MARK

NOTES

- 1. FINISH(CONTACT AREA):0.38μmMIN GOLD PLATING OVER Ni PLATING

DIMENSIONS: mm		TOLERANCES UNLESS OTHERWISE SPECIFIED		DWN K.IKEDA 7/DEC/'98		WIRE RANGE AWG #28~#24		INSULATION DIA 0.88~1.5	
		±0.3 >10 : ±0.35 >30 : ±0.4 ANGLE : ±3'		CHK N.MATSUBARA 7/DEC/'98		TE Connectivity REC CONTACT "S" SIZE,L/P <DYNAMIC D-2 SERIES>			
				APVD I.HASEGAWA 7/DEC/'98					
MATERIAL (COPPER ALLOY)		FINISH SEE NOTE		PRODUCT SPEC 108-5619		DRAWING NO C-1318108		RESTRICTED TO -	
				APPLICATION SPEC 114-5258		SCALE 8-1		SHEET 1 OF 1	
				WEIGHT CUSTOMER DRAWING		CAGE CODE 00779		REV D	