

4

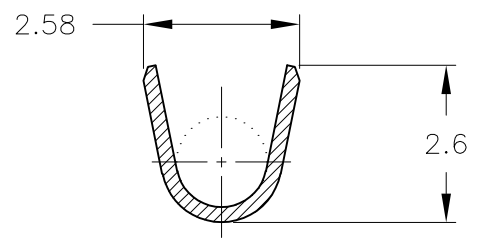
3

2

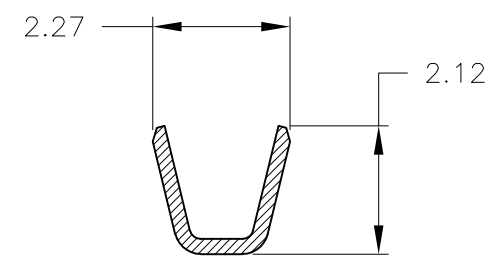
1

THIS DRAWING IS UNPUBLISHED. RELEASED FOR PUBLICATION ,1998
 ALL RIGHTS RESERVED.

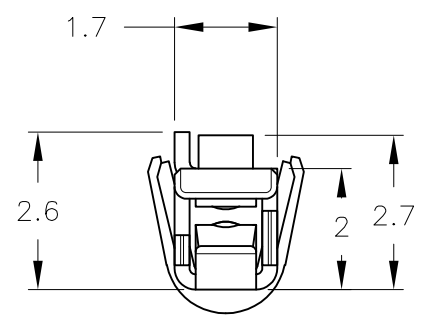
LOC		DIST		REVISIONS				
				変更		DATE	DWN	APVD
P	LTR	DESCRIPTION			DATE	DWN	APVD	
	C	REVISED			11APR2014	T.S	N.Y	



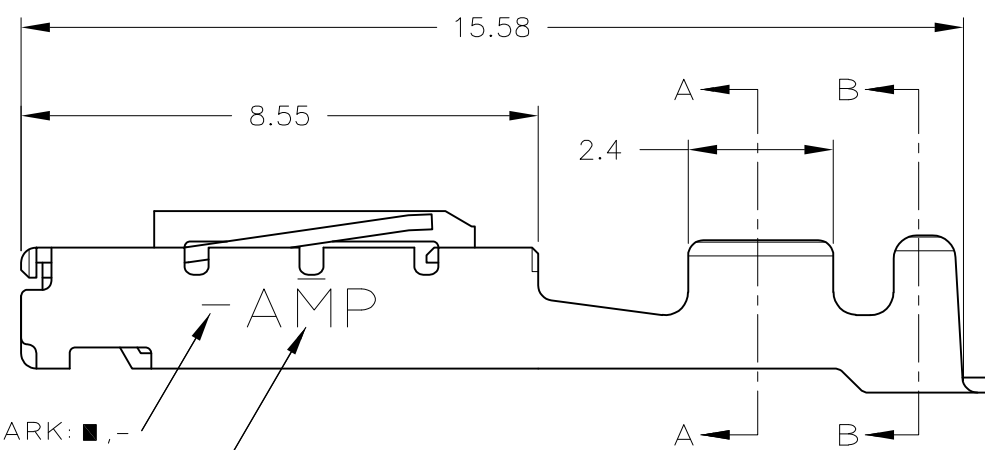
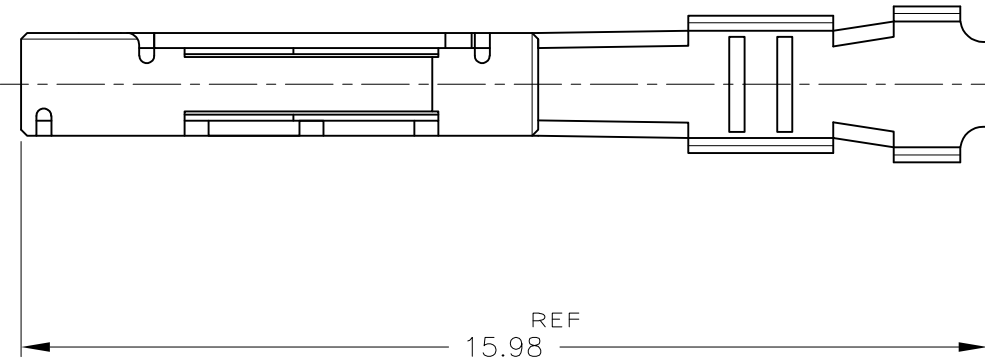
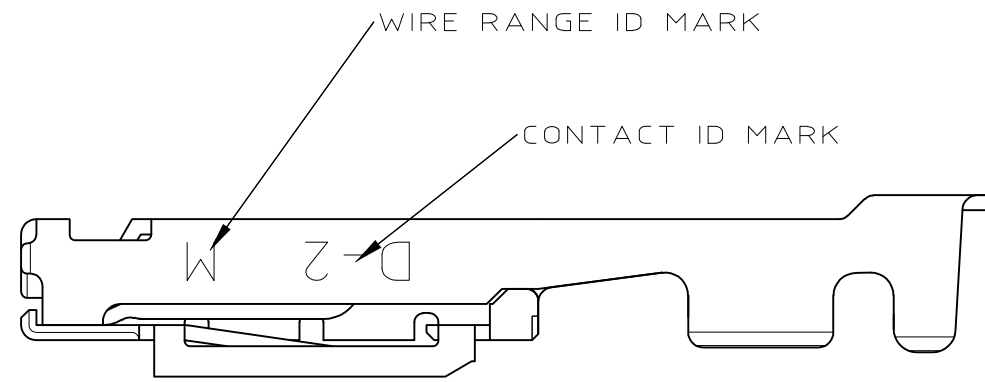
SECT B-B



SECT A-A



TOOLING ID MARK: ■,-



AMP MARK

-1:AS SHOWN

NOTES

- 1. FINISH(CONTACT AREA):0.38μmMIN GOLD PLATING OVER Ni PLATING

DIMENSIONS: mm		TOLERANCES UNLESS OTHERWISE SPECIFIED		DWN K.IKEDA 7/DEC/'98		WIRE RANGE AWG #22~#18		INSULATION DIA 1.3~1.9			
		± 0.3 $>10 : \pm 0.35$ $>30 : \pm 0.4$ ANGLE : $\pm 3'$		CHK N.MATSUBARA 7/DEC/'98		TE Connectivity REC CONTACT "M" SIZE, L/P <DYNAMIC D-2 SERIES>					
				APVD I.HASEGAWA 7/DEC/'98							
MATERIAL (COPPER ALLOY)		FINISH SEE NOTE		PRODUCT SPEC 108-5619		APPLICATION SPEC 114-5258		SIZE A3	CAGE CODE 00779	DRAWING NO C-1318107	RESTRICTED TO -
CUSTOMER DRAWING				WEIGHT		SCALE 8-1		SHEET 1 OF 1		REV C	