



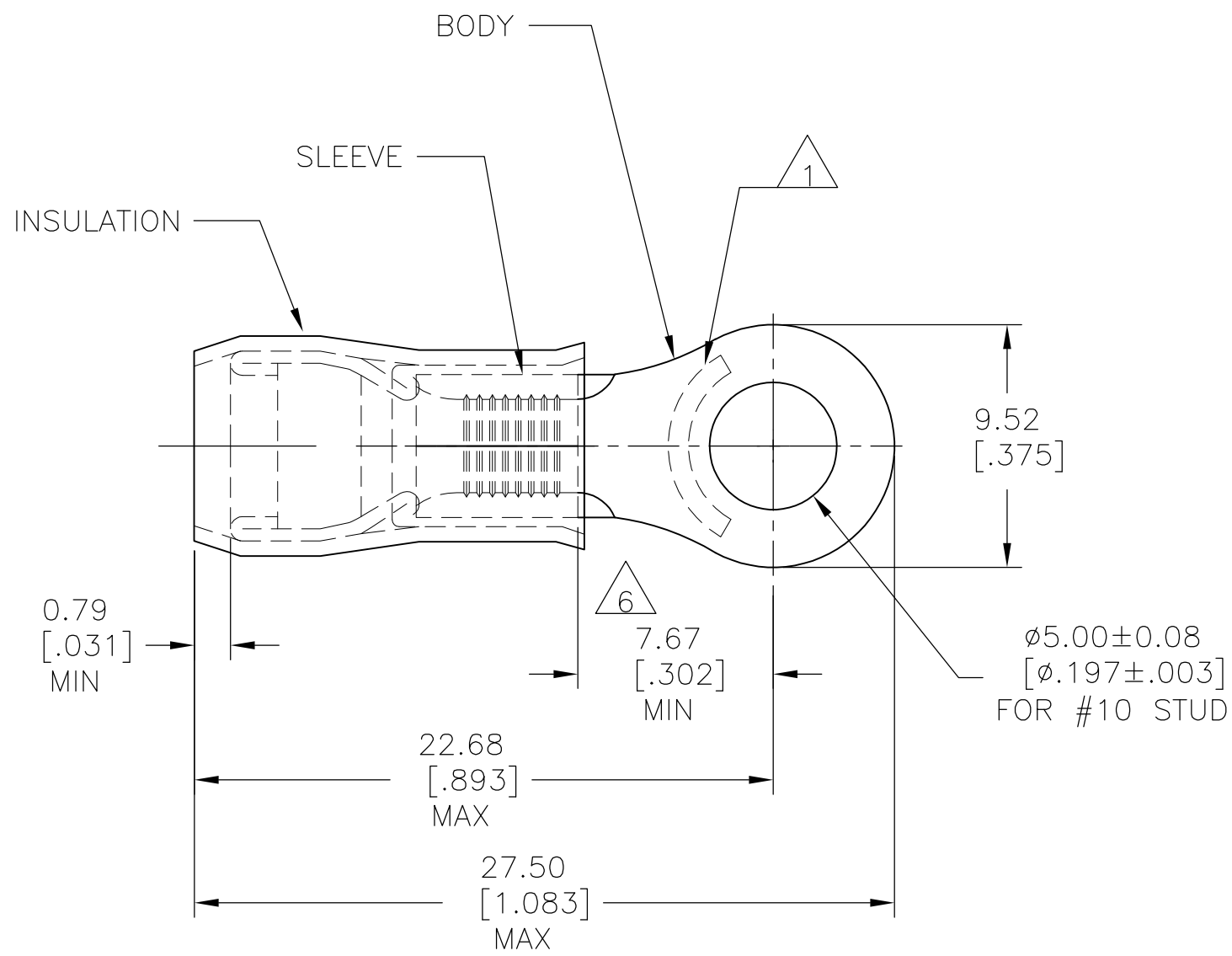










THIS DRAWING IS UNPUBLISHED. RELEASED FOR PUBLICATION
 © COPYRIGHT - By - ALL RIGHTS RESERVED.

REVISIONS				
P	LTR	DESCRIPTION	DATE	APVD
	S3	REVISED PER ECO-16-004986	20JUN2016	NK DR

AMP WIRE RANGE	  E13288 Listed
12-10 AWG SOLID OR STRANDED	12-10 AWG SOLID OR STRANDED
  LR7189 Certified	
12-10 AWG SOLID OR STRANDED	



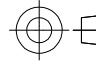


-  STAMP "AMP 12-10*" APPROX AS SHOWN.
-  WIRE INSULATION DIA: 3.81-6.35[.150-.250].
-  TONGUE MATERIAL THK: 0.99±0.05[.039±.002].
-  BODY & SLEEVE: TIN PLATE 0.00254[.000100] MIN EXT THK PER ASTM B545.
-  BODY & SLEEVE- CU PER ASTM B152 INSULATION - NYLON PER ASTM D4066 COLOR - YELLOW.
-  APPLIES FROM EDGE OF METAL WIRE BARREL TO CENTER OF STUD HOLE.
-  MEETS MS25036-112, CLASS 1 & 2.
-  MEETS MS25036-112, CLASS 2.


 	QTY	PACKAGE TYPE	PART NO
	25	LOOSE PIECE, BAG	8-35109-5
	100	LOOSE PIECE, BOX	8-35109-1
	2500	ON TAPE & REEL	 2-35109-1
	500	LOOSE PIECE	 35109

AMP INCORPORATED
 CUSTOMER SERVICE SYSTEMS

FOR ADDITIONAL PRODUCT INFORMATION OR COPIES OF DRAWINGS AND TECHNICAL DOCUMENTS	PRODUCT INFORMATION CENTER 1-800-522-6752
FOR APPLICATION TOOLING INFORMATION	TOOLING ASSISTANCE CENTER 1-800-722-1111
FOR ORDER ENTRY	1-800-526-5142

MAX RECOMMENDED OPERATING TEMPERATURE: 105°C[221°F] MAX
VOLTAGE RATING: 300 VOLT MAX
CIRCULAR MIL AREA: 2.62-6.64mm²[5,180-13,100] STRANDED OR SOLID

THIS DRAWING IS A CONTROLLED DOCUMENT.	
DIMENSIONS: mm [INCHES]	TOLERANCES UNLESS OTHERWISE SPECIFIED:
	0 PLC ± -
	1 PLC ± -
	2 PLC ± -
	3 PLC ± 0.20[.008]
	4 PLC ± -
	ANGLES ± -
MATERIAL 	FINISH 

DWN JR RUTH 16DEC09	 TE Connectivity		
CHK T MICHIELUTTI 16DEC09	NAME TERMINAL, RING TONGUE, PIDG WIRE SIZE: 12-10 AWG		
APVD T MICHIELUTTI 16DEC09	SIZE A3	CAGE CODE 00779	DRAWING NO C-35109
PRODUCT SPEC -	RESTRICTED TO -	SCALE 4:1	SHEET 1 OF 1
APPLICATION SPEC -	WEIGHT -	CUSTOMER DRAWING	REV S3