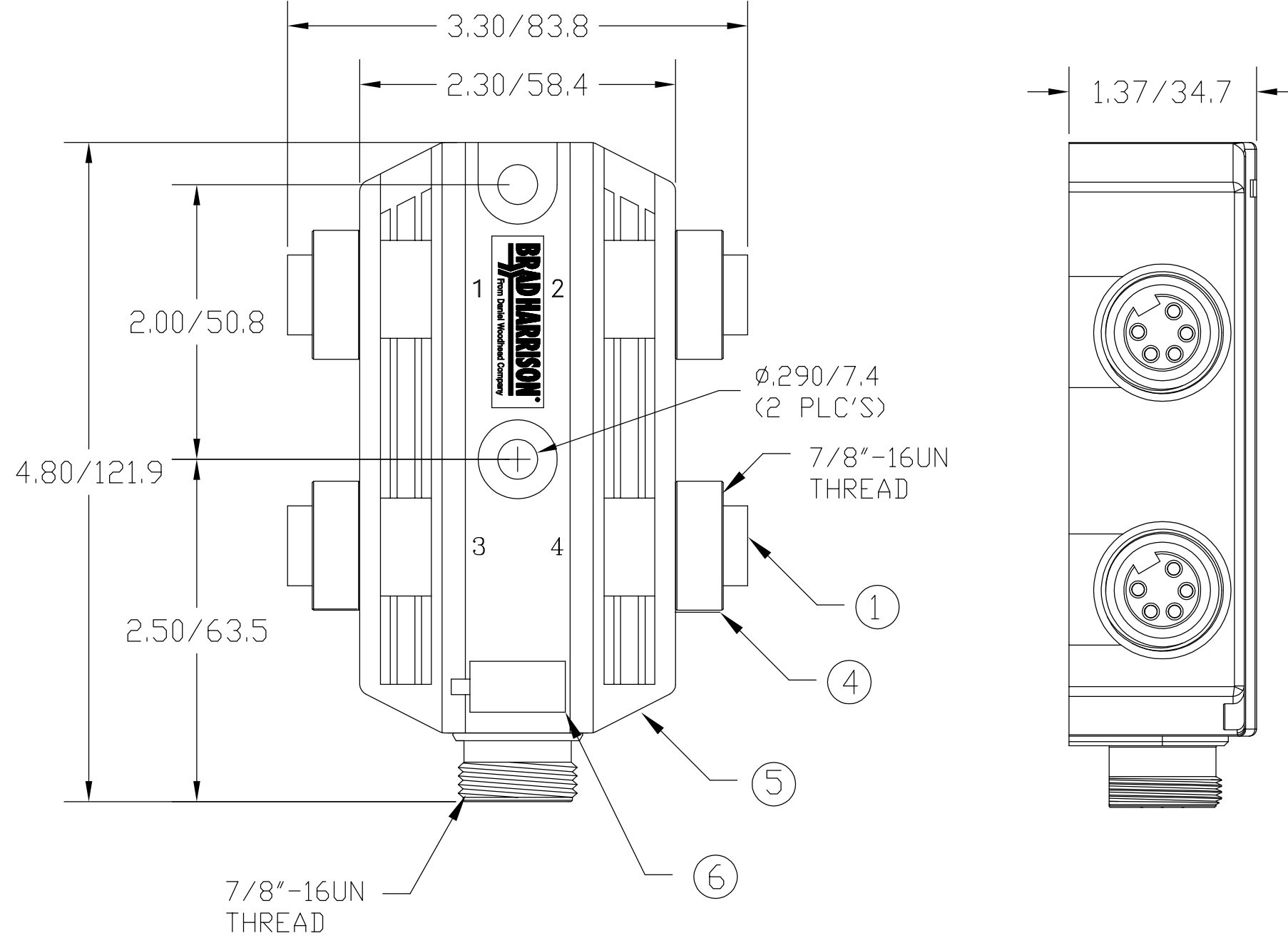
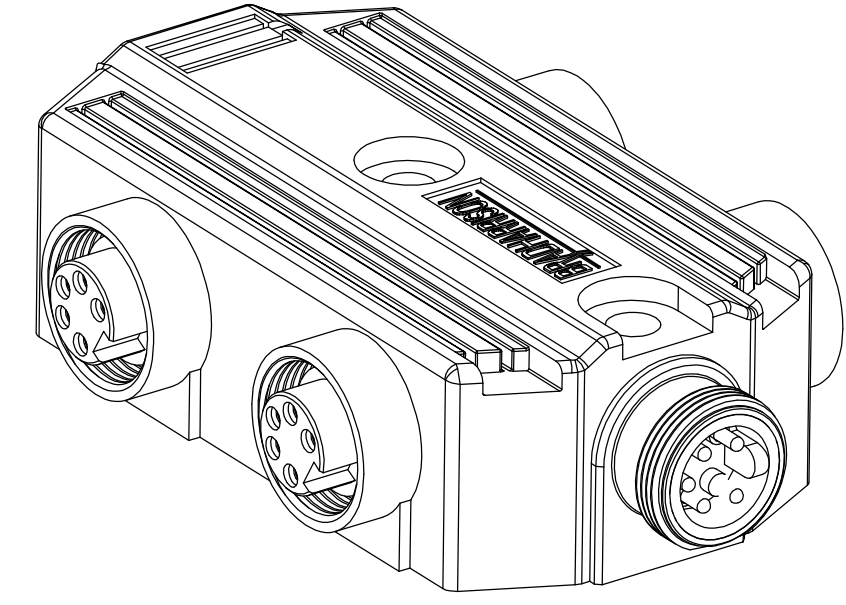
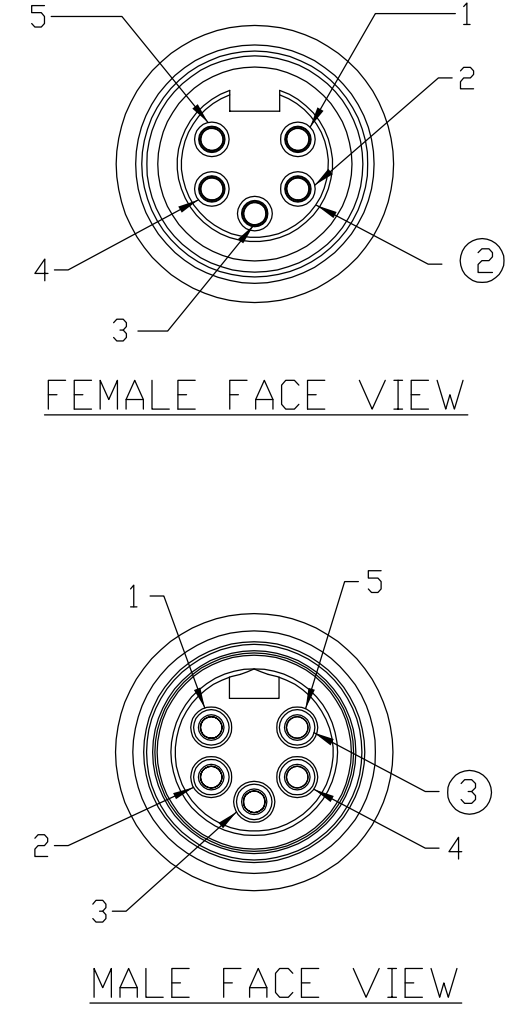
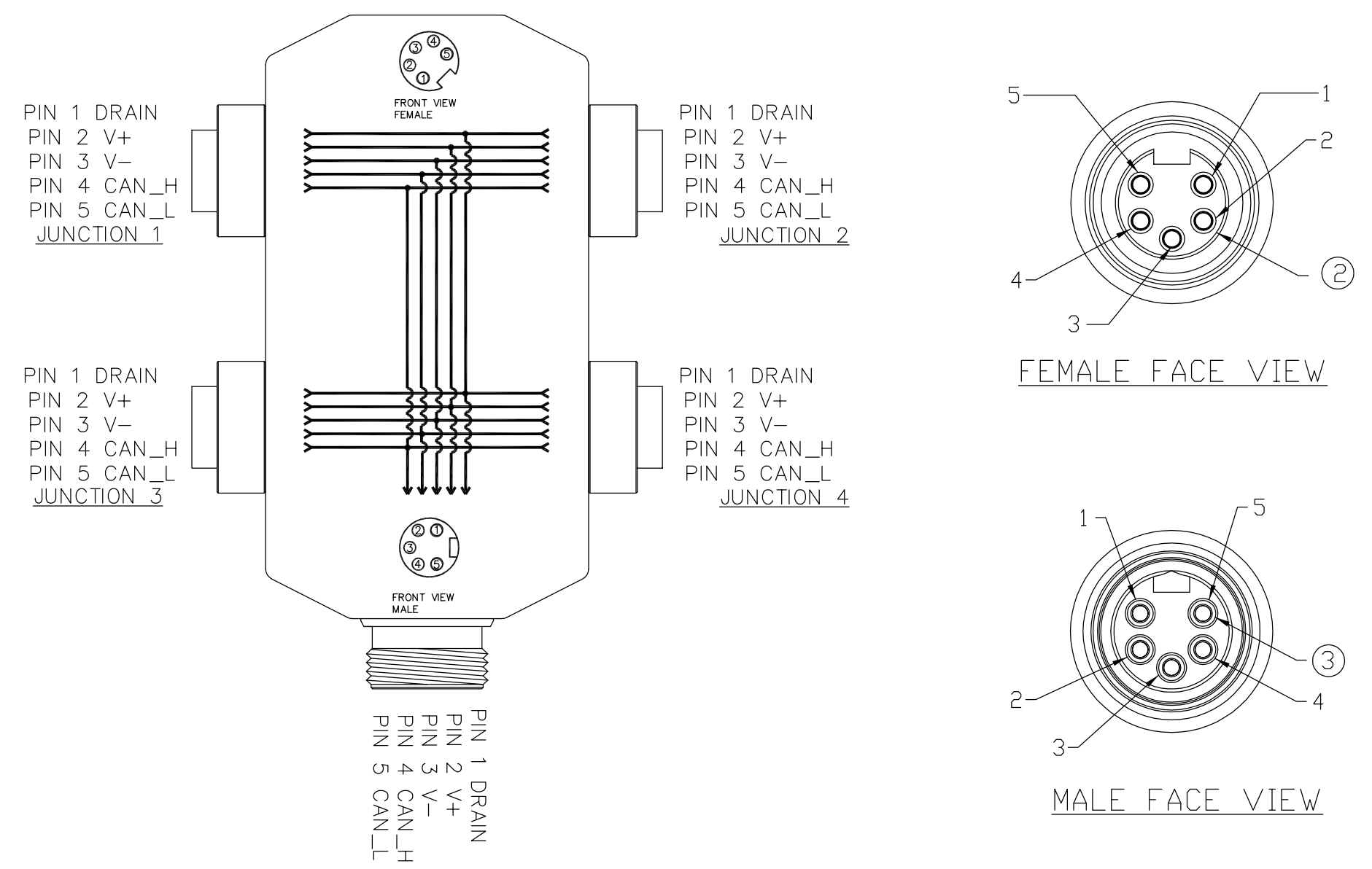


|                        |                        |
|------------------------|------------------------|
| <b>MATERIAL NUMBER</b> | <b>OLD PART NUMBER</b> |
| 130036-0005            | DN4000                 |



**SCHEMATIC**



|                       |             |
|-----------------------|-------------|
| VOLTAGE RATING        | 120 VAC/VDC |
| AMPERAGE RATING       | 7 AMPS      |
| PROTECTION            | IP67        |
| OPERATING TEMPERATURE | 0°C TO 60°C |

| ITEM | COMPONENT        | MATERIAL      | FINISH           |
|------|------------------|---------------|------------------|
| 1    | INSERT           | PVC           | GRAY             |
| 2    | CONTACT SOCKET   | COPPER ALLOY  | GOLD OVER NICKEL |
| 3    | CONTACT PIN      | COPPER ALLOY  | GOLD OVER NICKEL |
| 4    | RECEPTACLE SHELL | ZINC DIE CAST | BLACK E-COATED   |
| 5    | HOUSING          | PBT           | BLACK            |
| 6    | LABEL            | ABS           | WHITE            |
|      | POTTING MATERIAL | EPOXY         | BLACK            |

|   |  |   |  |   |                     |                        |
|---|--|---|--|---|---------------------|------------------------|
| RLSO DRAWING<br>EC NO: WNA2009-0576<br>DRWN: BWOODMAN 3/17/09<br>CH'KD: JM<br>APPR: JFMURPHY 2009/03/31 | QUALITY SYMBOL                                       | GENERAL TOLERANCES (UNLESS SPECIFIED)   | DIMENSION STYLE  | SCALE                                   | DESIGN UNITS        | THIRD ANGLE PROJECTION |
|   | $\nabla = 0$<br>$\sphericalangle = 0$                | 4 PLACES ±---<br>3 PLACES ±---<br>2 PLACES ±---<br>1 PLACE ±0.3   | IN/MM<br>DRAWN BY: BW<br>DATE: 2009/03/17<br>CHECKED BY: KJ<br>DATE: 2009/03/17<br>APPROVED BY: _____<br>DATE: _____ | TITLE<br>MINI 4PORT DROP MPIS DEVICENET | MOLEX INCORPORATED  |                        |
|   | DRAFT WHERE APPLICABLE MUST REMAIN WITHIN DIMENSIONS | ANGULAR ±---°   | MATERIAL NO.<br>SEE CHART  | DOCUMENT NO.<br>SD-130036-001           | SHEET NO.<br>1 OF 1 |                        |
|   | SIZE C   | THIS DRAWING CONTAINS INFORMATION THAT IS PROPRIETARY TO MOLEX INCORPORATED AND SHOULD NOT BE USED WITHOUT WRITTEN PERMISSION |  |   |                     |                        |
|   | REV A  |   |  |   |                     |                        |