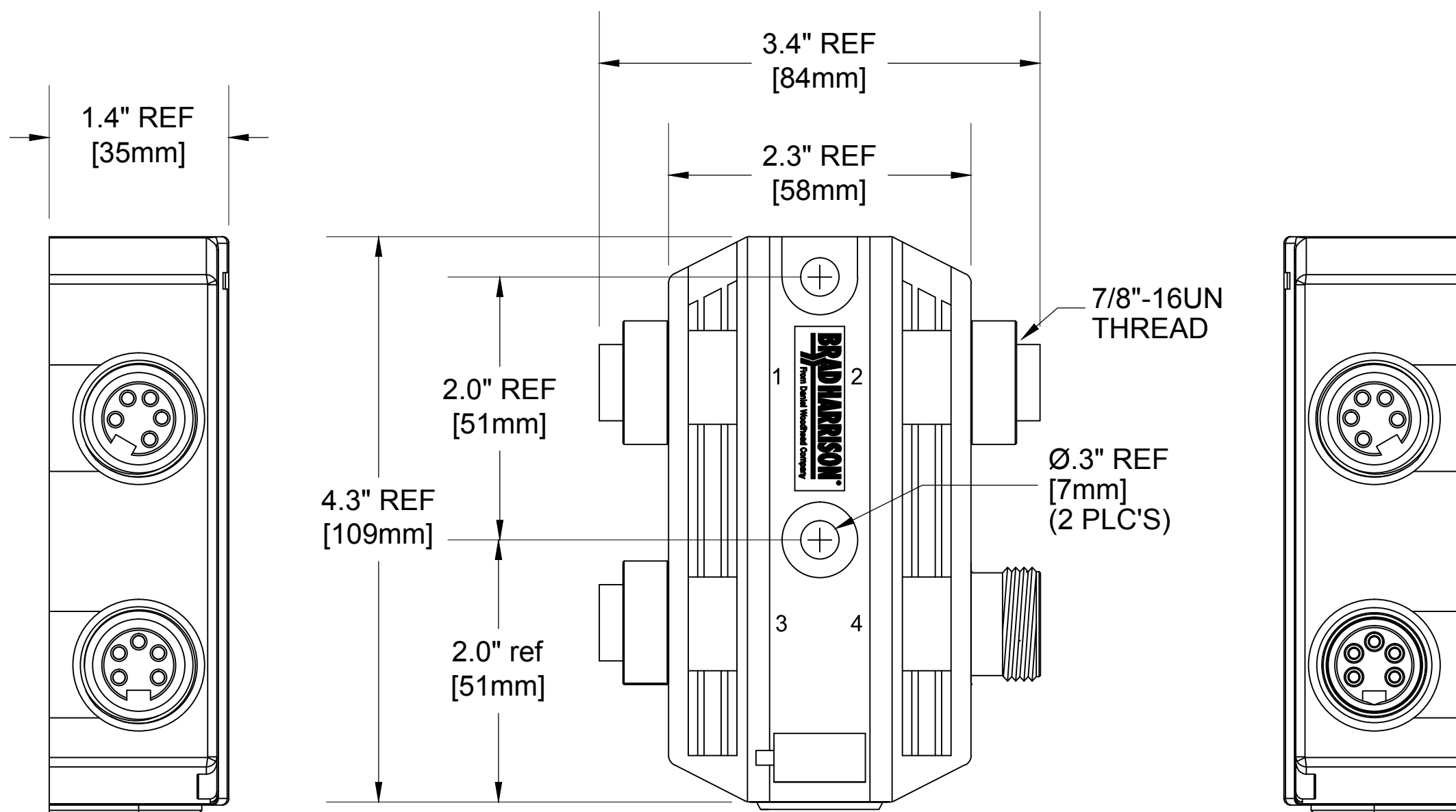


MATERIAL NUMBER

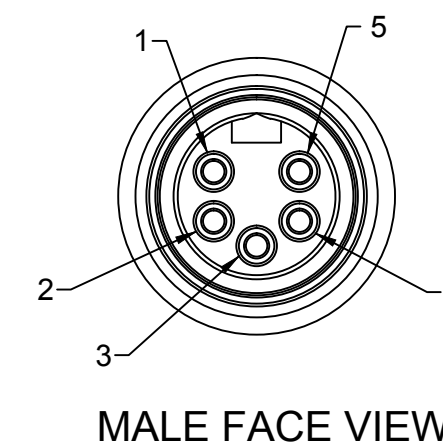
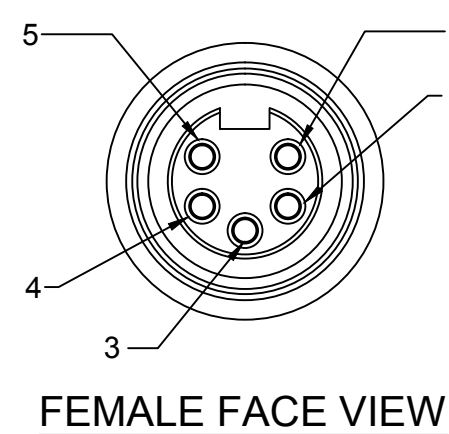
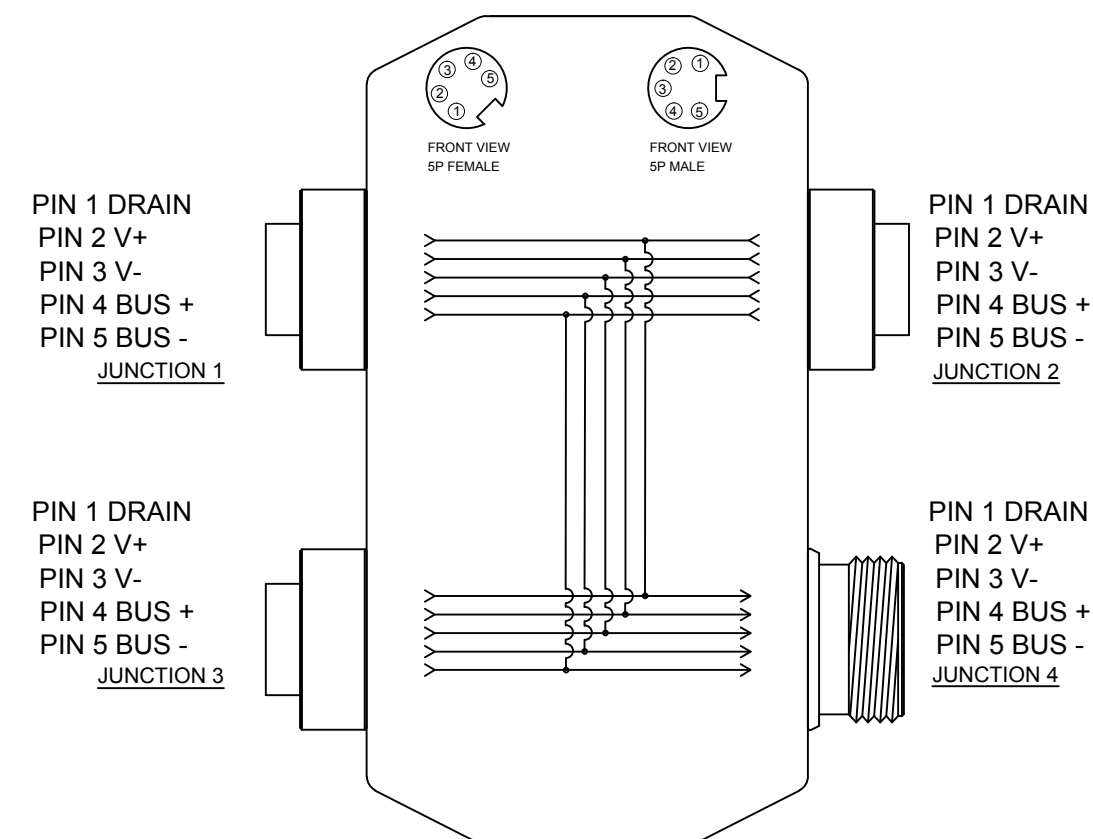
1300390336

OLD PART NUMBER

DN2100



**SCHEMATIC**



**SPECIFICATION DATA**

COMPONENT	MATERIAL	FINISH
LABEL	ABS	WHITE
HOUSING	PBT	BLACK
CONTACT	COPPER ALLOY	Au OVER Ni
INSERT	PVC	GRAY
POTTING MATERIAL	EPOXY	BLACK
RECEPTACLE SHELL	ZINC DIE CAST	BLACK E-COATED
VOLTAGE RATING:	120 VAC/VDC	
AMPERAGE RATING:	7A	
PROTECTION CLASS:	IP 67	
OPERATING TEMPERATURE:	0°C / 60°C	

UPDATED DRAWING EC NO: IFCG2014-0099 DRWN: GGUSTAFS 2014/01/02 CH'KD: BARDEN APPR: BWOODMAN	QUALITY SYMBOL	GENERAL TOLERANCES (UNLESS SPECIFIED)		DIMENSION STYLE	SCALE	DESIGN UNITS	THIRD ANGLE PROJECTION	
	$\nabla=0$ $\nabla C=0$	mm	INCH	IN/MM	NTS	INCH		
		4 PLACES	±---	±---	DRAWN BY	DATE	TITLE	MC 2 PORT PASS-THRU MPIS DEVICENET
		3 PLACES	±---	±.005	GGUSTAFS	2014/01/02		
	2 PLACES	±.13	±.010	CHECKED BY	DATE			
	1 PLACE	±.25	±.020	APPROVED BY	DATE			
		ANGULAR ±.5°						
		DRAFT WHERE APPLICABLE MUST REMAIN WITHIN DIMENSIONS		MATERIAL NO.		DOCUMENT NO.	SHEET NO.	
				SEE CHART		SD-130039-008	1 OF 1	
				SIZE C	THIS DRAWING CONTAINS INFORMATION THAT IS PROPRIETARY TO MOLEX INCORPORATED AND SHOULD NOT BE USED WITHOUT WRITTEN PERMISSION			