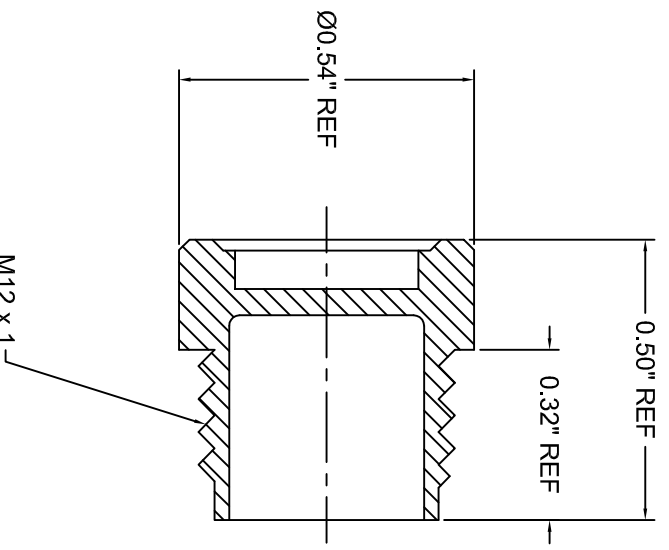
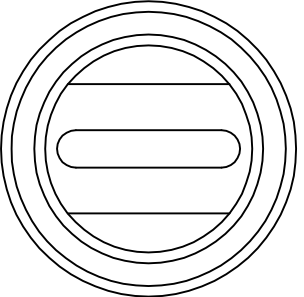


MATERIAL #	ENGINEERING #
1200770021	80013



REFERENCE
USE ONLY

MATERIAL: POLYPROPYLENE
FINISH: BLACK

REV	DESCRIPTION	GENERAL TOLERANCES (UNLESS SPECIFIED)		DIMENSION STYLE		SCALE	DESIGN UNITS	THIRD ANGLE PROJECTION
		MM	INCH					
	4 PLACES			RB	DATE			
	3 PLACES			CHECKED BY	DATE			
	2 PLACES			APPROVED BY	DATE			
	1 PLACE							
	DRAFT WHERE APPLICABLE MUST REMAIN WITHIN DIMENSIONS			MATERIAL NO.	1200770021	DOCUMENT	AEP DIVISION	SHEET NO. 1 OF 1
	THIS DRAWING CONTAINS INFORMATION THAT IS PROPRIETARY TO MOLEX INCORPORATED AND SHOULD NOT BE USED WITHOUT WRITTEN PERMISSION							

13	12	11	10	9	8	7	6	5	4	3	2	1
J	I	H	G	F	E	D	C	B	A			