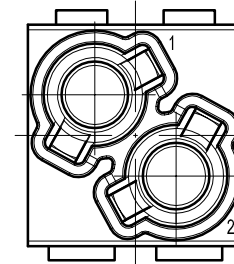
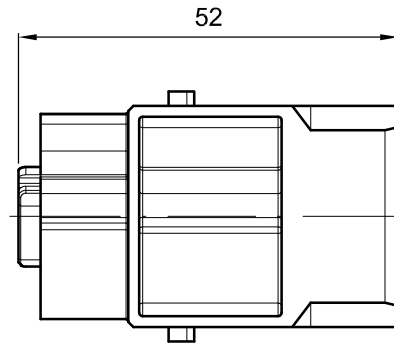
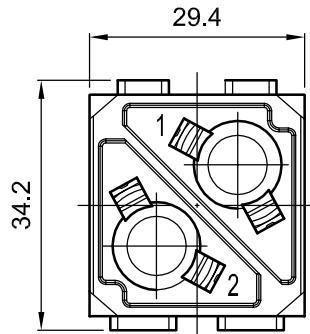


ISOMETRIC VIEW



TECHNICAL CHARACTERISTICS  
CARATTERISTICHE TECNICHE

Number of poles Numero di poli	2
Rated Voltage (conductor/conductor) Tensione Nominale (conduttore/conduttore)	1000 V
Rated Current Corrente Nominale	100 A
Insulation resistance Resistenza di isolamento	$\geq 10^{10} \Omega$
Material and surface of the contact Materiale e finitura del contatto	Copper Alloy / Hard silver plated Legna di rame / Argentati
Material of adapter Materiale adattatore	Polycarbonate Policarbonato
Temperatura di lavoro connettore Connector working temperature	-40°C to +125°C

THIS DRAWING CONTAINS INFORMATION THAT IS PROPRIETARY TO MOLEX INCORPORATED AND SHOULD NOT BE USED WITHOUT WRITTEN PERMISSION

EC DESCRIPTION EC NO: DRWN: CHKD: REV	QUALITY SYMBOLS	GENERAL TOLERANCES ISO 2768-2/F (UNLESS SPECIFIED)	DIMENSION UNITS MM	SCALE 1:1	<p>7702.3092.0 S-M100/2 INSERT FOR MALE CONTACT inserto S-M100/2 per contatti maschio</p> <p>PRODUCT CUSTOMER DRAWING</p>
	$\nabla = 0$	Dim. Tol.	DRWN BY ELONGHI	DATE 01/12/2016	
	$\nabla = 0$	3+6 ± 0.05	CHKD BY AMELZI	DATE 01/12/2016	
	$\nabla = 0$	6+30 ± 0.1	APPR BY AMELZI	DATE 01/12/2016	
	$\nabla = 0$	30+120 ± 0.15	DRAWING SIZE A4	FIRST ANGLE PROJECTION	
$\nabla = 0$	120+400 ± 0.2	ANGULAR DIMENSIONS			
$\square = 0$	<10 ± 1°				
$\square = 0$	10+50 ± 0°30'				
$\square = 0$	50+120 ± 0°20'				
$\square = 0$	120+400 ± 0°10'				
REV					SERIES: 93601 MATERIAL NUMBER: 936010507 CUSTOMER: GENERAL MARKET DOCUMENT NUMBER: 936010507 DOC TYPE: PSD DOC PART: 000 SHEET NUMBER: 1 OF 1